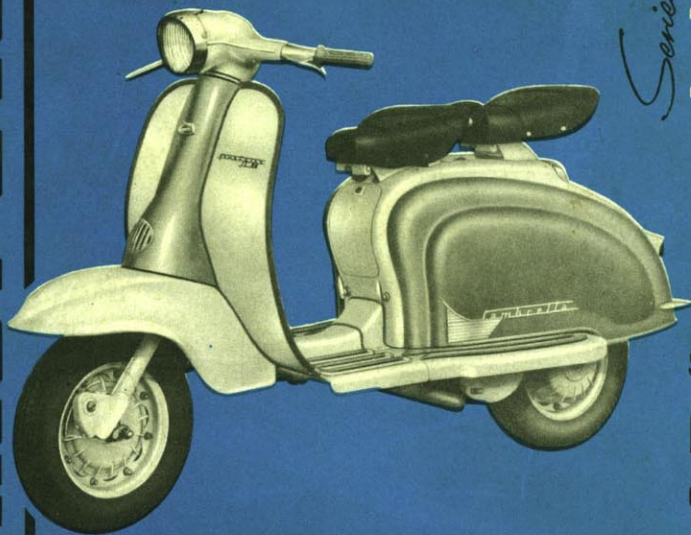


Lambretta



Series II

125 li
150 li
175 tv

**spare
parts
catalogue**

manufactured by



motor division

scooterhelp.com



Lambretta 125-150/li II²
TV 175/II²

spare parts catalogue



* The section No. XII has been omitted because the items mentioned on the same, are not assembled on these « LAMBRETTA » models.

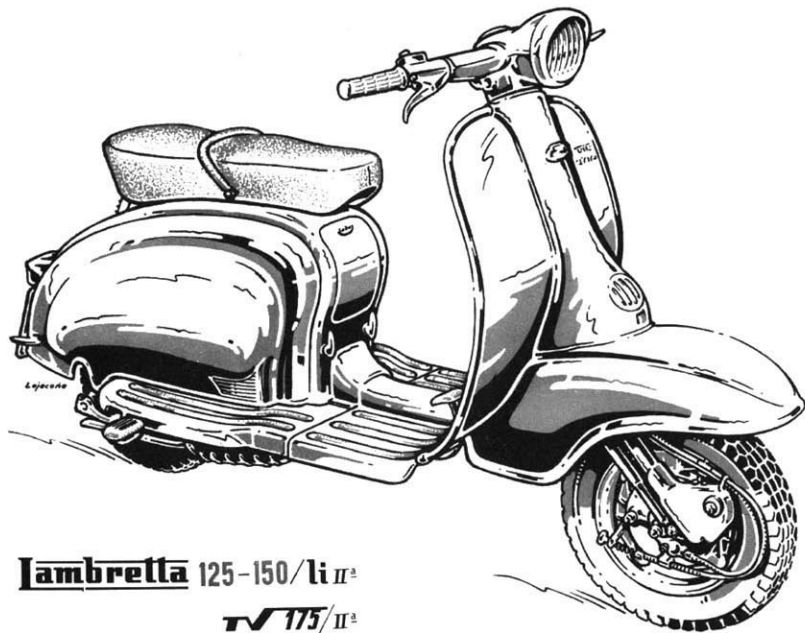
INDEX OF SECTIONS

Crankcase, cylinder and head	I
Crankshaft and piston	II
Clutch	III
Gear box and kick start	IV
Fuel tank, carburettor and exhaust silencer	V
Cooling	VI
Frame and suspension	VII
Handlebar, fork and speedometer	VIII
Wheels and brakes	IX
Electrical equipment - Lighting	X
Electrical equipment	XI
Flywheel magneto « Ducati »	XII
Panel and framework components	XIII
Control cables	XIV
Accessories	XV

scooterhelp.com



INDEX



Lambretta 125-150/li II^a

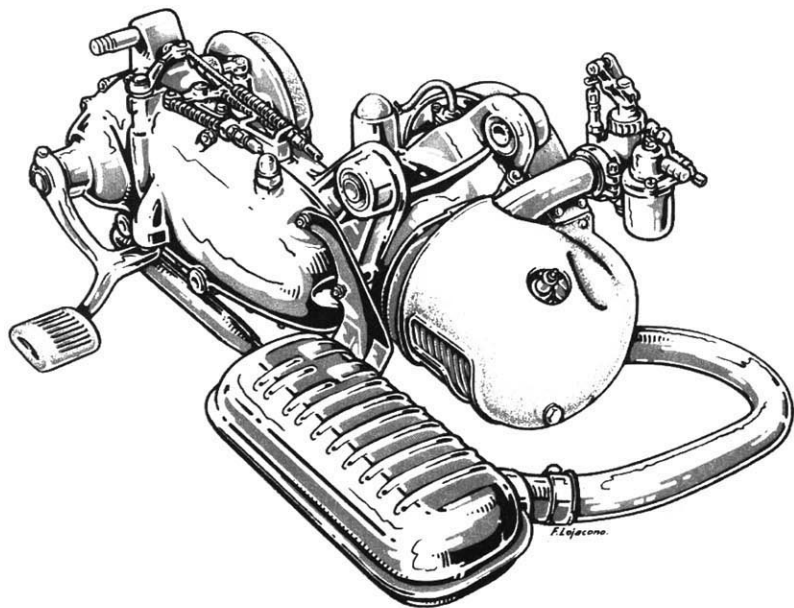
V 175/II^a

scooterhelp.com

19-07



ENGINE ASSEMBLY



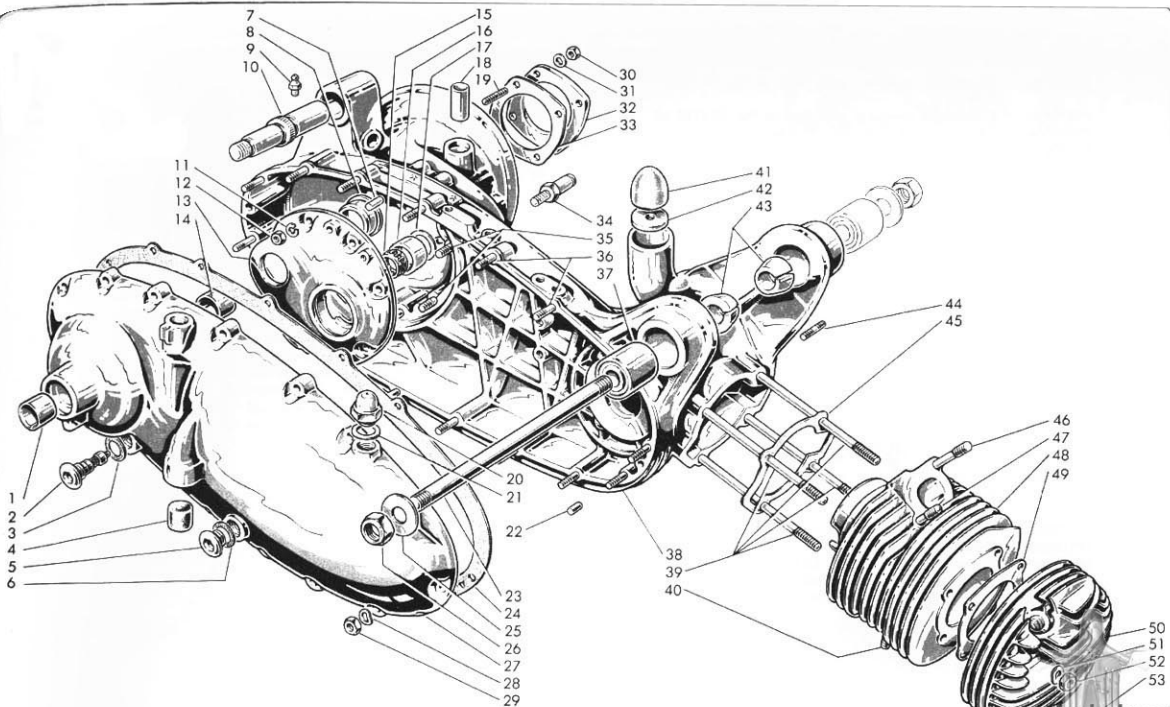
scooterhelp.com



Fig. No.	Part No.	Description	Quantity
1	19030026	Bush, outer, for k/start shaft	1
2	19010130	Magnetic plug	1
3	86011622	Gasket, for magnetic plug	1
4	15041024	Stop buffer, k/start pedal	1
5	85801602	Plug, oil level	1
6	86011622	Gasket, oil level plug	1
7	19010008	Reference pin, for flange and crankcase cover	2
8	19010006	Bush, layshaft needle bearing	1
9	87020006	Greaser, for rear suspension shaft	1
10	19010011	Shaft, rear suspension	1
11	73170074	Spring washer, for studs at fig. 35	6
12	72060007	Nut, for studs at fig. 35	6
13	19010050	Support flange, layshaft, with bush at fig. 8	1
14	19030025	Inner bush, for k/start shaft	1
15	19030040	Needle cage, for main gear group	1
16	19030039	Bush, main gear group needle cage	1
17	19030038	Shim, needle cage	1
18	19010044	Bush, gear box control shaft	1
19	19010026	Stud, fixing flange	4
20	15010090	Breather	1
21	86011622	Gasket, for breather	1
22	19010008	Reference pin, for crankcase cover	2
23	19010029	Spindle, for engine oscillation	1
24	19010003	Gasket, crankcase cover	1
25	83100016	Spring washer, for nut at fig. 26	2
26	19010120	Nut, for spindle	2
27	19010020	Cover, for crankcase, complete with figs. 1 - 44	1
28	83100006	Spring washer, for studs at fig. 36	16
29	72000006	Nut, for studs at fig. 36	16
30	72000006	Nut, for studs at fig. 19	4
31	83100006	Spring washer, for studs at fig. 19	4
32	19030021	Flange, locking layshaft bearing	1

Fig. No.	Part No.	Description	Quantity
33	19030035	Washer, for flange	1
34	19010027	Pin, for rear brake shoe	2
35	19010022	Stud, fixing gear box flange	6
36	19010019	Stud, fixing cover to crankcase	16
37	19010030	Silent-block, for engine oscillation	2
38	19010040	Crankcase, complete with figs. 10 - 16 - 17 - 18 - 19 - 35 - 36 - 37 - 39 - 44	1
39	19210013	Stud, cylinder head (standard)	4
	19210014	Stud, cylinder head (oversize)	—
40	19011008	Stud, fixing exhaust tube	2
41	19010036	Rebound buffer, crankcase	1
42	19010035	Washer, for rebound buffer	1
43	19010028	Cone, for locking engine oscillation spindle	2
44	19010009	Stud, for magneto flange	3
45	19010012	Gasket, cylinder base	1
46	19011012	Stud, long, for fixing manifold	1
47	19011013	Stud, short, for fixing manifold	1
48	19011020	Cylinder, complete with studs at figs. 40 - 46 - 47 (150 cc)	1
	19111020	Cylinder, complete with studs at figs. 40 - 46 - 47 (125 cc)	1
48	19211020	Cylinder, complete with studs at figs. 40 - 46 - 47 (175 cc)	1
	19011003	Gasket, cylinder head (150 cc)	2
49	19111003	Gasket, cylinder head (125 cc)	2
	19211003	Gasket, cylinder head (175 cc)	1
50	19011015	Head, cylinder (150 cc)	1
	19111015	Head, cylinder (125 cc)	1
	19211015	Head, cylinder (175 cc)	1
51	83100008	Spring washer, cylinder studs	4
52	72000008	Nut, for cylinder head	1
53	19010007	Distance piece, for engine cow	1





19-001

INNOCENTI

motorhelp.com



Fig. No.	Part No.	Description	Quantity	
1	19012140	Crankshaft, complete with item at fig. 15 (125 - 150 cc)	1	
	19212140	Crankshaft, complete with item at fig. 15 (175 cc)	1	
2	19012008	Oil seal, drive side (33 x 50 x 6)	1	
3	71300616	Screw, fixing flange locking bearing	4	
4	19012006	Flange, locking bearing	1	
5	19012007	Thrust washer, drive side bearing	1	
6	19012031	Ball bearing, drive side	1	
7	19012041	Retaining cup, for crankshaft bearing	1	
8	19012039	Oil seal, flywheel side (25 x 42 x 6)	1	
9	19012038	Retaining cup	1	
10	19012034	Roller bearing, main flywheel side	1	
11	19012037	Spacer	1	
12	19012036	Oil seal (33 x 52 x 6), flywheel side	1	
13	73250052	Circlip, bearing and oil seal	1	
14	74850465	Key, woodruff flywheel side	1	
15	15012008	Bush, small end	1	
	19012130	Roller cage, for small end bush	1	
16	73250016	Circlip, for gudgeon pin	2	
	19012024	Piston ring, standard \varnothing 57	2	
17	19012025	Piston ring, oversize \varnothing 57,1	150 cc	—
	19012026	Piston ring, oversize \varnothing 57,4		—
	19012027	Piston ring, oversize \varnothing 57,6	—	
	19112024	Piston ring, standard \varnothing 52	125 cc	2
	19112025	Piston ring, oversize \varnothing 52,2		—
	19112026	Piston ring, oversize \varnothing 52,4	—	
	19112027	Piston ring, oversize \varnothing 52,6	—	
	19212024	Piston ring, standard \varnothing 62	175 cc	2
	19212025	Piston ring, oversize \varnothing 62,2		—
	19212026	Piston ring, oversize \varnothing 62,4		—
19212027	Piston ring, oversize \varnothing 62,6	—		

Fig. No.	Part No.	Description	Quantity		
18	19012090	Piston, standard \varnothing 57	150 cc	1	
	19012100	Piston, oversize \varnothing 52,7		—	
	19012110	Piston, oversize \varnothing 52,4		—	
	19012120	Piston, oversize \varnothing 52,6	125 cc	—	
	19112090	Piston, standard \varnothing 52		1	
	19112100	Piston, oversize \varnothing 52,2	—		
	19112110	Piston, oversize \varnothing 52,4	—		
	19112120	Piston, oversize \varnothing 52,6	—		
	19	19212090	Piston, standard \varnothing 62	175 cc	1
		19212100	Piston, oversize \varnothing 62,2		—
19212110		Piston, oversize \varnothing 62,4	—		
19212120		Piston, oversize \varnothing 62,6	—		
19012018		Gudgeon pin, standard \varnothing 16	150 cc	1	
19012019		Gudgeon pin, oversize \varnothing 16,1		—	
19012021		Gudgeon pin, oversize \varnothing 16,2		—	
19		19112018	Gudgeon pin, standard \varnothing 16	125 cc	1
		19112019	Gudgeon pin, oversize \varnothing 16,1		—
		19112021	Gudgeon pin, oversize \varnothing 16,2	—	
	19212018	Gudgeon pin, standard \varnothing 16	175 cc	1	
	19212019	Gudgeon pin, oversize \varnothing 16,1		—	
	19212021	Gudgeon pin, oversize \varnothing 16,2		—	



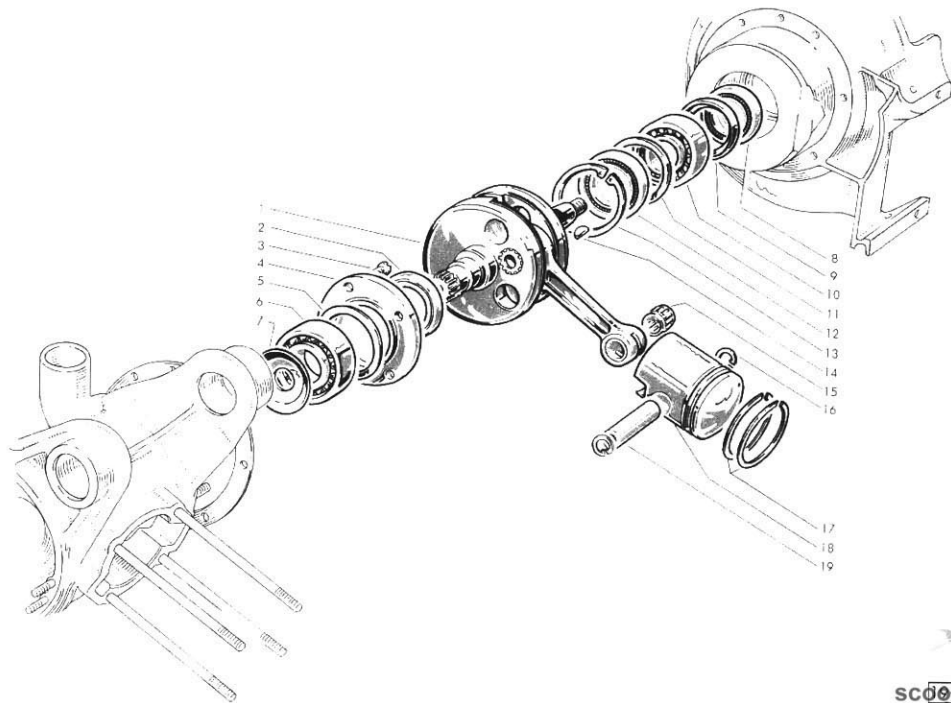


Fig. No.	Part No.	Description	Quantity	Fig. No.	Part No.	Description	Quantity
1	73260010	Circlip, for clutch lever	1	22	19020018	Driven disc, external, for clutch	1
2	19011006	Lever, external, clutch control	1	23	19020005	Disc, holding sprocket	1
3	19021007	Return spring, for clutch external lever	1	24	19020023	Sprocket	1
4	73260012	Circlip, for clutch lever control shaft	1	25	19020025	Hub, for torque damper	1
5	19031015	Shim, for clutch control shaft	1	26	19020080	Clutch bell, internal, with hub	1
6	19021004	Shaft, for clutch lever	1	27	19030045	Thrust washer, for nut at fig. 29	1
7	15021006	Seal ring, lower, for clutch lever shaft	1	28	19020015	Spring, for clutch discs (125-150 cc)	5
8	19020016	Circlip ring, for clutch bell pressure discs	1		19220015	Spring, for clutch discs (175 cc)	5
9	19031015	Shim, for clutch lever shaft	1	29	19030007	Nut, for locking main gear group	1
10	73260012	Ring, for internal clutch lever	1	30	19020070	Bearing needle, for clutch bell	2
11	19021002	Lever, internal, clutch control	1	31	19041130	Chain, transmission	1
12	73260010	Circlip, for internal clutch lever	1	32	19012017	Sliding dog	1
13	19021001	Push rod, clutch control	1	33	19012028	Spring	1
—	19020090	Torque damper, complete with items at figs. 14 15 - 16 - 17 - 18 - 23 - 24 - 25	1	34	19012029	Washer, for spring	1
14	19020007	Spring, for torque damper	7	35	19012013	Screw, locking sleeve damper on crankshaft	1
15	19020006	End cap, for spring	14	36	19020022	Shim	1
16	19020001	Housing, clutch bell	1	37	70360614	Screw, fixing chain guide	2
17	19020008	Driven disc, for torque damper	2	38	19041022	Thrust plate, for screws at fig. 37	1
18	75780414	Rivet, for fixing torque damper disc	6	39	19041100	Chain guide, sliding	1
19	19020040	Flange, retaining springs with rods	1	40	19041110	Chain guide, stationary	1
20	19020050	Driving disc, cork lined	4	41	19012016	Sleeve	1
21	19020021	Driven disc, intermediate, for clutch	3	42	19012015	Sprocket, for chain	1



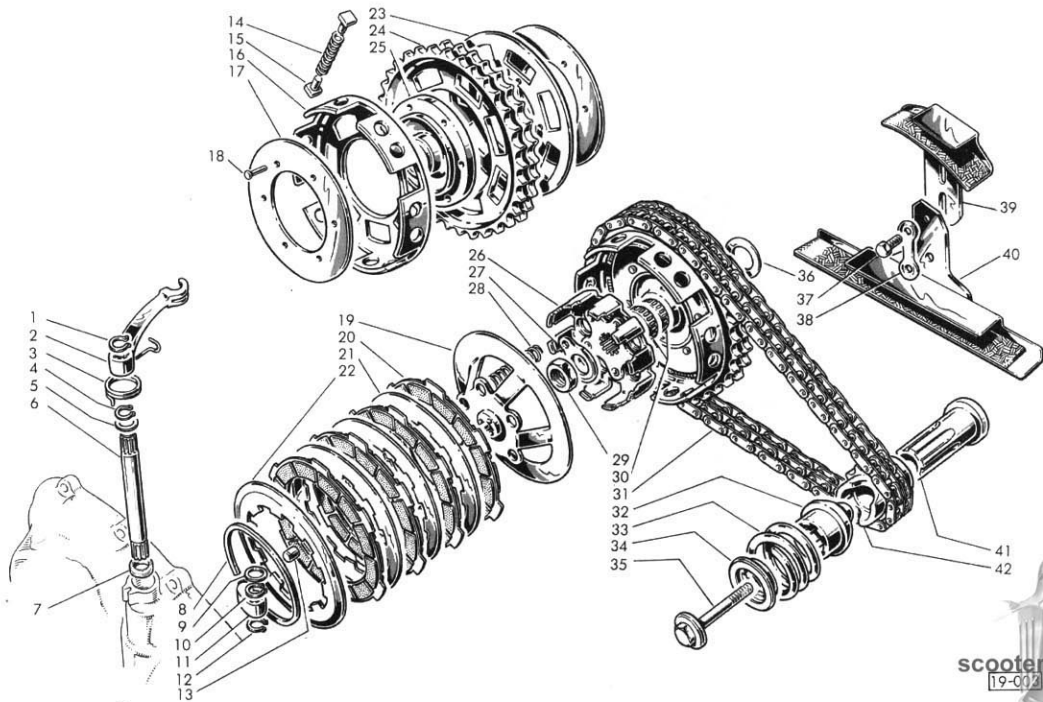


Fig. No.	Part No.	Description	Quantity	Fig. No.	Part No.	Description	Quantity
1	73260020	Circlip, kick start pedal	1	29	19030005	Layshaft, 3rd gear (150 cc)	1
2	83100007	Spring washer, for screw at fig. 6	1		19130016	Layshaft, 3rd gear (125 cc)	1
3	72000007	Nut, for screw at fig. 6	1		19230005	Layshaft, 3rd gear (175 cc)	1
4	19030034	Screw, stopping k/start pedal	1	30	19030006	Layshaft, 4th gear (150 cc)	1
5	83100010	Spring washer, for screw at fig. 4	1		19130017	Layshaft, 4th gear (125 cc)	1
6	70300738	Screw, fixing k/start pedal	1		19230006	Layshaft, 4th gear (175 cc)	1
7	19030018	Disc, for k/start shaft piston	1	31	41031007	Sleeve, with sliding dogs	1
8	73250018	Circlip, for disc	1		19030001	Main gear group (150 cc)	1
9	19030014	Cam, for k/start piston	1		32	19130013	Main gear group (125 cc)
10	83100006	Spring washer, for screw at fig. 11	3	19230001		Main gear group (175 cc)	1
11	70360616	Screw, fixing cam	3	33		78920516	Ball, for gear selector
12	19030016	Reference pin, for cam	1	34	19031008	Spring, for balls	1
13	19030017	Spring, for piston	1	35	19030002	Layshaft	1
14	19030015	Piston, for k/start shaft	1	36	19031014	Pin, for internal gear change lever	2
15	19030020	Bearing needle, for layshaft	1	37	70450620	Screw, locking gear change lever	1
16	19030031	Shaft, k/start	1	38	19031002	Lever, internal, gear change control	1
17	19030027	Return spring, for pedal	1	39	19030043	Shim, for main gear group	1
18	19010016	Oil seal (22 x 32 x 5,5)	1	40	70360618	Screw, locking gear shift control lever	1
19	19030028	Shim	1	41	73260006	Circlip, for gear control lever	1
20	73260020	Circlip, for k/start pedal	1	42	73030064	Plain washer	1
21	19030041	Pedal, k/start.	1	43	83100006	Spring washer, for screw at fig. 40	1
22	19030042	Rubber protection, k/start pedal	1	44	73260005	Circlip, for pins	2
23	19030023	Shim	1	45	83100006	Spring washer, for screw at fig. 37	1
24	19030044	Shim	1	46	19030036	Oil seal (32 x 45 x 6), for special bearing	1
25	19030033	Ball bearing, for main gear group	1	47	19030050	Special bearing, for layshaft, complete with item at fig. 46	1
26	73250042	Circlip, for main gear bearing	1	48	19030032	Seal ring, on layshaft	1
27	19030003	Layshaft, 1st gear (150 cc)	1	49	19031016	Lever, external, gear shift control	1
	19130014	Layshaft, 1st gear (125 cc)	1	50	73260012	Circlip, for gear shift shaft	1
	19230003	Layshaft, 1st gear (175 cc)	1	51	19031015	Thickness washer	1
	19030004	Layshaft, 2nd gear (150 cc)	1	52	15021006	Gasket, for gear shift shaft	1
	19130015	Layshaft, 2nd gear (125 cc)	1	53	19031001	Shaft, gear shift	1
28	19230004	Layshaft, 2nd gear (175 cc)	1	54	19031015	Thickness washer, for gear shift shaft	1



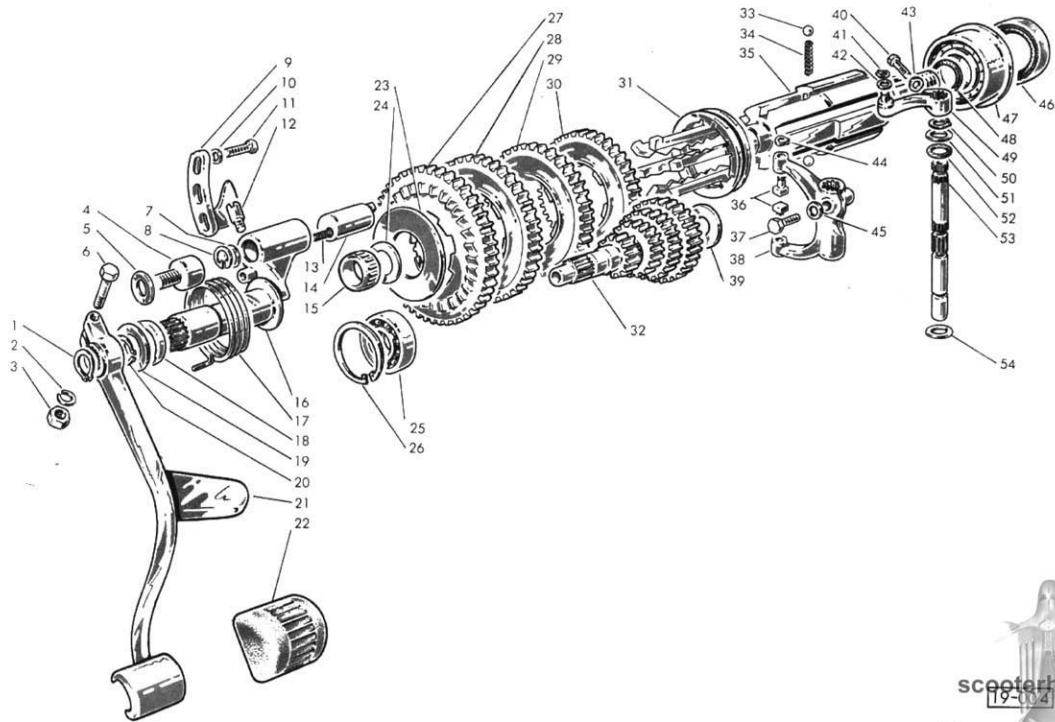


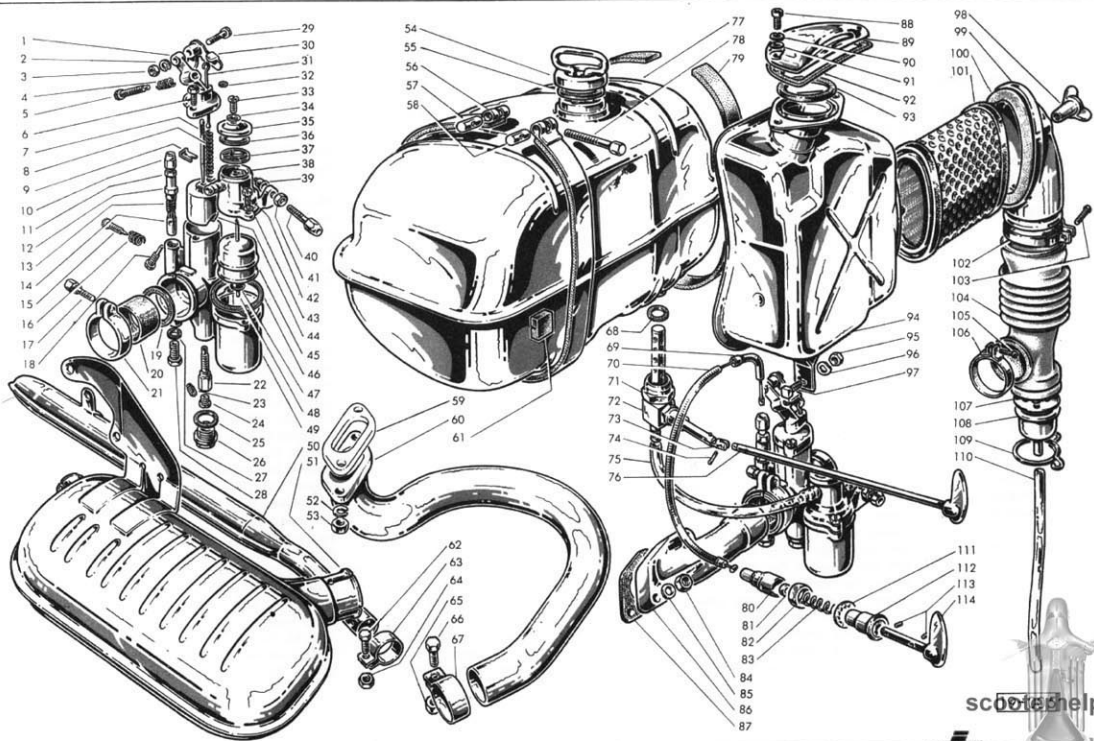
Fig. No.	Part No.	Description	Quantity
—	00412294 5111	Carburettor MA 19 BS 5 (150 cc)	1
—	00412295 5111	Carburettor MA 18 BS 5 (125 cc)	1
—	00412296 5138	Carburettor MB 23 BS 5 (175 cc)	1
1	{ 00412257 4410	Cover (for carburettor MA 19 BS 5 and MA 18 BS 5)	1
	{ 00412190 4067	Cover (for carburettor MB 23 BS 5)	1
2	73170043	Spring washer, for pin at fig. 29	1
3	00412049 1973	Counternut, for pin at fig. 29	1
4	00412191 2034	Spring, slow running adjustment	1
5	00412192 3997	Screw, slow running adjustment	1
6	00412193 3978	Screw, fixing cover at fig. 1	1
	{ 00412274 2265	Needle, main jet D 21 (for carburettor MA 19 BS 5)	1
7	{ 00412270 2265	Needle, main jet D 16 (for carburettor MA 18 BS 5)	1
	{ 00412194 2343	Needle, main jet E 15 (for carburettor MB 23 BS 5)	1
	{ 00412002 1409	Spring, air slide (for carburettor MA 19 BS 5 and MA 18 BS 5)	1
8	{ 00412202 2372	Spring, air slide (for carburettor MB 23 BS 5)	1
9	00412001 1407	Retaining clip, main jet needle	1
10	00412148 1104	Adjuster, for choke control cable	1
11	00412054 1576	Counternut, for screws at fig. 10	1
12	00412181 3128	Plug, for choke control	1
13	00412182 3133	Spring, for choke control valve	1
14	00412140 3238	Valve, with gasket for choke control	1
	{ 00412249 4274	Screw, pilot jet adjustment (for carburettor MA 19 BS 5 and MA 18 BS 5)	1
15	{ 00412195 4014	Screw guide, for slow running adjustment MB 23 BS 5)	1
16	00412232 1404	Spring, pilot jet adjustment screw	1
17	00412234 3265	Screw, for carburettor securing ring	1
	{ 00412263 4419	Screw guide, for slow running adjustment (for carburettor MA 19 BS 5 and MA 18 BS 5)	1
18	{ 00412195 4014	Screw guide, for slow running adjustment (for carburettor MB 23 BS 5)	1
	{ 00412260 4415	Distance washer (for carburettor MA 19 BS 5 and MA 18 BS 5)	1
19	{ 00412236 4237	Distance washer (for carburettor MB 23 BS 5)	1

Fig. No.	Part No.	Description	Quantity
	{ 00412261 4416	Insulating reduction MA 19 BS 5 and MA 18 BS 5)	1
20	{ 00412235 4236	Insulating reduction (for carburettor MB 23 BS 5)	1
	{ 00412248 1723	Ring, securing carburettor (150-125 cc)	1
21	{ 00412196 4232	Ring, securing carburettor (175 cc)	1
22	00412044 2058	Atomizer 260 B	1
	{ 00412019 1488	Pilot jet 40 (for carburettor MA 19 BS 5 and MB 23 BS 5)	1
23	{ 00412268 1488	Pilot jet 35 (for carburettor MA 18 BS 5)	1
	{ 00412297 1486	Main jet 78 (for carburettor MA 19 BS 5)	1
24	{ 00412278 1486	Main jet 73 (for carburettor MA 18 BS 5)	1
	{ 00412272 1486	Main jet 110 (for carburettor MB 23 BS 5)	1
25	00412006 1415	Gasket, main jet base plug	1
26	00412018 1487	Plug, main jet	1
27	{ 00412126 2141	Gasket, starter jet	1
	{ 00412264 2119	Starter jet 55 (for carburettor MA 19 BS 5 and MA 18 BS 5)	1
28	{ 00412208 2119	Starter jet 60 (for carburettor MB 23 BS 5)	1
29	00412188 4072	Pin, fulcrum lever	1
30	00412189 4176	Fulcrum lever	1
	{ 00412071 2646	Operating rod (for carburettor MS 19 BS 5 and MA 18 BS 5)	1
31	{ 00412200 4049	Operating rod (for carburettor MS 23 BS 5)	1
32	00412286 4451	Gasket, for air slide operating rod	1
33	00412301 4190	Screw, fixing filter cover	1
34	00412302 3385	Gasket, for filter cover screw at fig. 33	1
35	00412300 4189	Filter cover	1
36	00412299 4188	Gasket, for filter cover	1
37	00412298 4187	Filter	1
38	00412304 5110	Cover, float chamber	1
39	00412053 2439	Dust protector	1
40	00412055 1575	Adjuster, throttle cable	1
41	00412054 1576	Counternut, for adjuster	1
42	00412021 1491	Screw, fixing float chamber cover	2
43	{ 00412303 5010	Spring washer, for screw at fig. 42	2
	{ 00412269 4418	Air slide 50 (for carburettor MA 19 BS 5 and MA 18 BS 5)	1
44	{ 00412205 4331	Air slide 70 (for carburettor MB 23 BS 5)	1



FUEL TANK, CARBURETTOR AND EXHAUST SILENCER

Section V



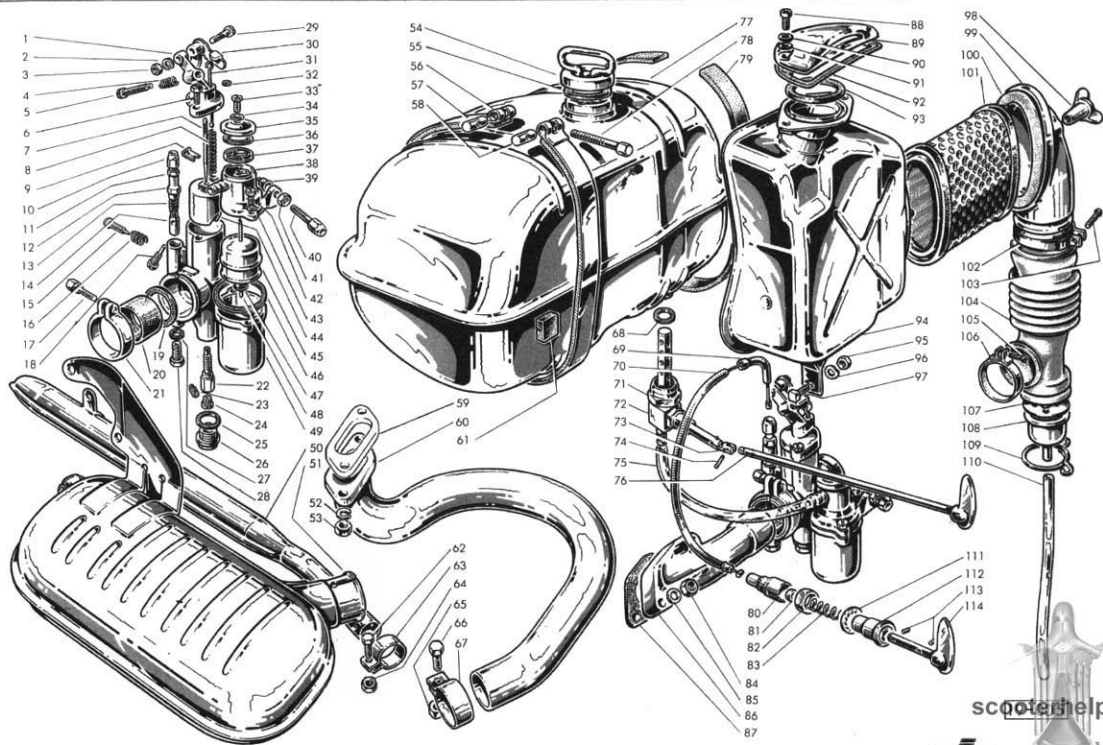
scorehelp.com



Fig. No.	Part No.	Description	Quantity
45	00412098 2390	Float (for carburettor MA 19 BS 5 and MA 18 BS 5)	1
	00412233 4271	Float (for carburettor MB 23 BS 5)	1
46	00412005 1414	Gasket, for float chamber cover	1
47	00412124 1452	Retaining ring, for float needle	1
48	00412027 1607	Needle (for carburettor MA 19 BS 5 and MA 18 BS 5)	1
	00412206 4272	Needle, for carburettor MB 23 BS 5)	1
	00412258 4411/19	Carburettor body (for carburettor MA 19 BS 5)	1
49	00412293 4411/18	Carburettor body (for carburettor MA 18 BS 5)	1
	00412207 4082	Carburettor body (for carburettor MB 23 BS 5)	1
50	19018140	Main exhaust tube	1
51	19018130	Silencer body	1
52	83100007	Spring washer, for nuts at fig. 53	2
53	19018003	Nut, locking exhaust tube	2
54	19070040	Filler cap, fuel tank	1
55	15070021	Gasket, filler cap	1
56	15070020	Strap, supporting tank with felt at fig. 79	2
57	15070013	Threaded trunnion, for tank strap	2
58	15070014	Bored trunnion, for tank strap	2
59	19018001	Gasket, for exhaust tube	1
60	19218090	Tube, engine exhaust with flange	1
61	15070019	Pad, for tank fixing strap	4
62	70360616	Screw, for clamp	1
63	19018046	Clamp, for engine exhaust tube	1
64	72000006	Nut, for screw at fig. 62	1
65	72060008	Nut, for screw at fig. 66	1
66	70360825	Screw, for clamp	1
67	19018180	Clamp, for engine exhaust tube	1
68	19071008	Gasket, petrol tap	1
69	19015019	Tube, choke control cable	1
70	19015050	Choke cable, complete	1
71	19071007	Special nut, petrol tap	1

Fig. No.	Part No.	Description	Quantity
72	19071020	Petrol tap, complete with items at figs. 71, 73, 74, 75	1
	19071030	Petrol tap, complete with items at figs. 71, 74, 76	1
73	19071009	Articulated joint, for petrol tap n. 19071020	1
74	74400228	Split pin, for articulated joint (petrol tap n. 19071020)	2
	19071011	Plug pin, for petrol tap control n. 19071030	1
75	19071004	Petrol pipe	1
76	19071010	Rod, for petrol tap control n. 19071020	1
	19071040	Rod, for petrol tap control n. 19071030	1
77	19070010	Fuel tank	1
78	15070015	Bolt, locking tank strap	2
79	15070012	Felt, for supporting strap	2
80	19015023	Guide, for choke control knob at fig. 114	1
81	19015022	Cap, for spring	1
82	15015015	Nut, for bush	1
83	19015021	Return spring, for choke control knob	1
84	19011009	Nut, fixing induction manifold	2
85	83100007	Spring washer, for nuts at fig. 84	2
	19011016	Manifold induction (150-125 cc)	1
86	19211016	Manifold induction (175 cc)	1
	19011017	Gasket, for induction manifold n. 19011016	1
87	19211017	Gasket, for induction manifold n. 19211016	1
88	71060616	Screw, fixing air intake	2
89	19016046	Air intake (150-125 cc)	1
	19016019	Air intake (175 cc)	1
90	83050616	Spring washer, for screw at fig. 88	2
91	83010006	Plain washer, for screw at fig. 88	2
92	19016042	Gasket, for air intake (150 - 125 cc)	1
93	19016033	Gasket, for flange	1
94	19016200	Air intake (150 - 125 cc)	1
	19016130	Filter housing (175 cc)	1
95	72030006	Nut, for screw at fig. 97	1
96	83100006	Spring washer, for nut at fig. 95	1
97	19016029	Screw, fixing filter housing	1





scooterhelp.com



Fig. No.	Part No.	Description	Quantity	Fig. No.	Part No.	Description	Quantity
98	19016028	Wing nut, locking filter housing	1	107	41016070	Breather valve	1
99	19016018	Pipe, air intake	1	108	19016036	Cup, oil drain	1
100	19016035	Gasket, for air intake pipe	1	109	19016037	Spring ring, for filter hose	1
101	19016120	Filter element	1	110	19016039	Breather tube	1
102	19016160	Clip, for filter hose	1	111	83120016	Spring washer, for nut at fig. 82	1
103	71160420	Screw, for clip at fig. 102	1	112	19015040	Support, choke control knob	1
104	19016021	Filter hose	1	113	15015009	Pin, choke control knob	2
105	71160420	Screw, for clip at fig. 106	1	114	19015020	Knob, choke control	1
106	19016150	Clip, fixing filter hose	1				



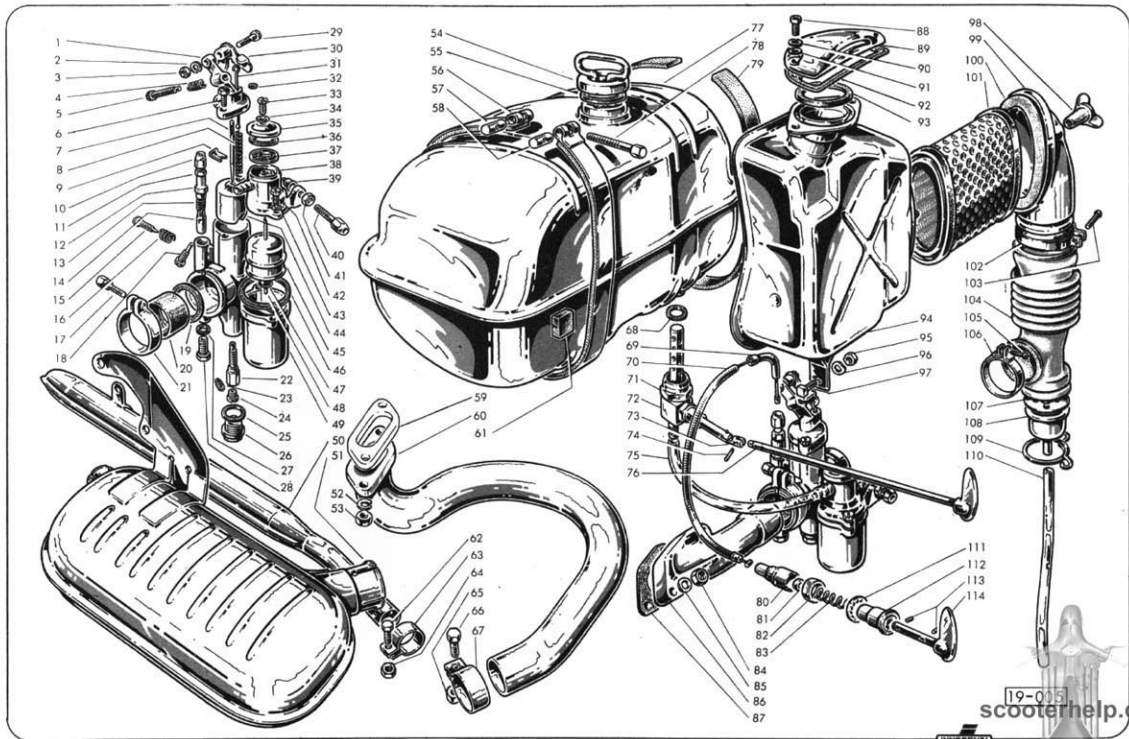


Fig. No.	Part No.	Description	Quantity	Fig. No.	Part No.	Description	Quantity
1	19010052	Flange, flywheel magneto	1	7	19014003	Screw, fixing main cowl	5
2	19010015	Gasket, for flange	1	8	73170053	Spring washer, for screws at fig. 9	2
3	72000006	Nut, fixing flange	3	9	19014003	Screw, fixing engine cowl	2
4	83100006	Spring washer, for nuts at fig. 3	3	10	19214020	Engine cowl, with antishock gasket	1
5	19014030	Cowl, flywheel side	1	11	83100008	Spring washer, for screw at fig. 12	1
6	73170053	Spring washer, for screws at fig. 7	5	12	70360814	Screw, fixing engine cowl	1



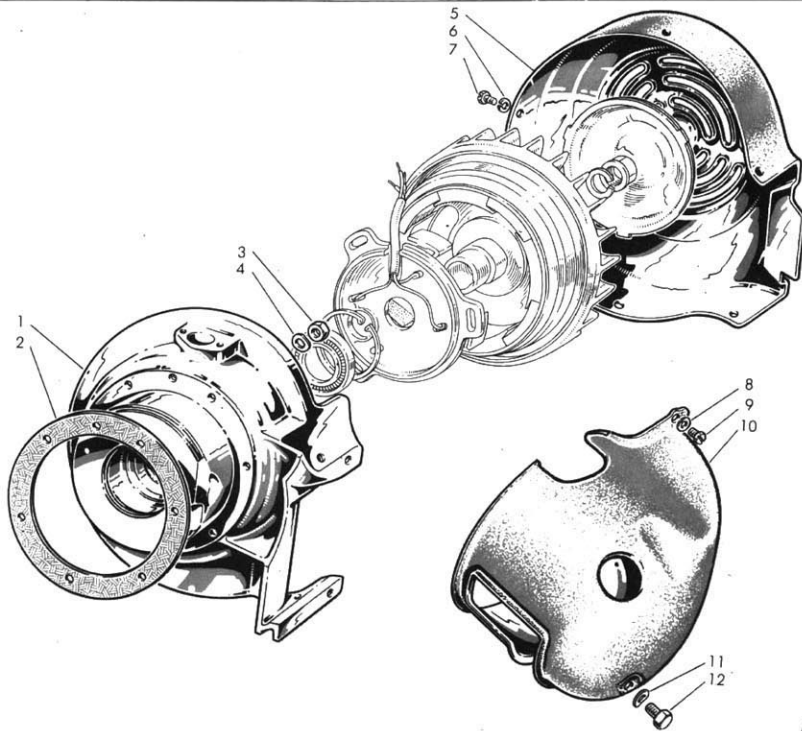


Fig. No.	Part No.	Description	Quantity	Fig. No.	Part No.	Description	Quantity
1	15055071	Rubber plug, for spare wheel support holes	4	19	70360825	Screw, fixing bracket	2
2	19058100	Shock absorber, with springs (S.C.M.)	1	20	70360512	Screw, fixing center stand support plate	8
	19058120	Shock absorber, with springs (RIV)	1	21	83120005	Spring washer, for screws at fig. 20	8
3	83100016	Spring washer, for nut at fig. 4	1	22	15057008	Support plate, for center stand	2
4	72070016	Nut, fixing shock absorber	1	23	72030005	Nut, for screws at fig. 20	8
5	19058060	Shock absorber, without springs (RIV)	1	24	15057010	Center stand, complete with items at figs. 26, 27, 41	1
	19058110	Shock absorber, without springs (S.C.M.)	1	25	15057012	Mudguard, on center stand	1
6	15058007	Ring, centering spring (RIV)	1	26	15157020	Rubber cap, center stand	2
	19058015	Ring, centering spring (S.C.M.)	1	27	15057009	Spring pin, center stand rubber cap	2
7	15058008	Half ring, locking spring for shock absorber (RIV)	2	28	15055040	Cover, petrol filler cap	1
	19058016	Half ring, locking spring for shock absorber (S.C.M.)	2	29	15055033	Pin, petrol cap cover hinge	1
8	15058020	Silent block, for shock absorber (RIV)	2	30	15055059	Beading, for panels	2
	19058090	Silent block, for shock absorber (S.C.M.)	2	31	71670812	Grub, fixing steering bush	1
9	19058018	Lower spring (for shock absorber n. 19058100)	1	32	19261022	Bush, steering guide	1
	19058022	Lower spring (for shock absorber n. 19058120)	1	33	19055060	Lock and key, for luggage box	1
10	15058005	Ring, intermediate (RIV)	1	34	19055054	Key, for luggage box	2
	19058019	Ring, intermediate (S.C.M.)	1	35	19055050	Lid, for luggage box, complete with lock	1
11	19058017	Upper spring (for shock absorber n. 19058100)	1	36	19050250	Frame	1
	19058021	Upper spring (for shock absorber n. 19058120)	1	37	75710308	Rivet, fixing lock	2
12	72070016	Nut, locking shock absorber	1	38	15055021	Pin, for luggage box hinge	1
13	83100016	Spring washer, for nut at fig. 12	2	39	15055061	Rivet, fixing beading	4
14	72030008	Nut, for screws at fig. 19	2	40	87350060	Grommet, petrol tap control rod	4
15	83120008	Spring washer, for nut at fig. 14	2	41	15057007	Buffer, center stand	1
16	15050031	Bracket, R.H. footboard	2	42	15057005	Spring, center stand	1
17	15050065	Distance piece, for panels	2	43	15061024	Protection, lower steering ball race	1
18	15050021	Rubber pad, for tank support	4	44	40770228	Lower cone, for steering ball race	1



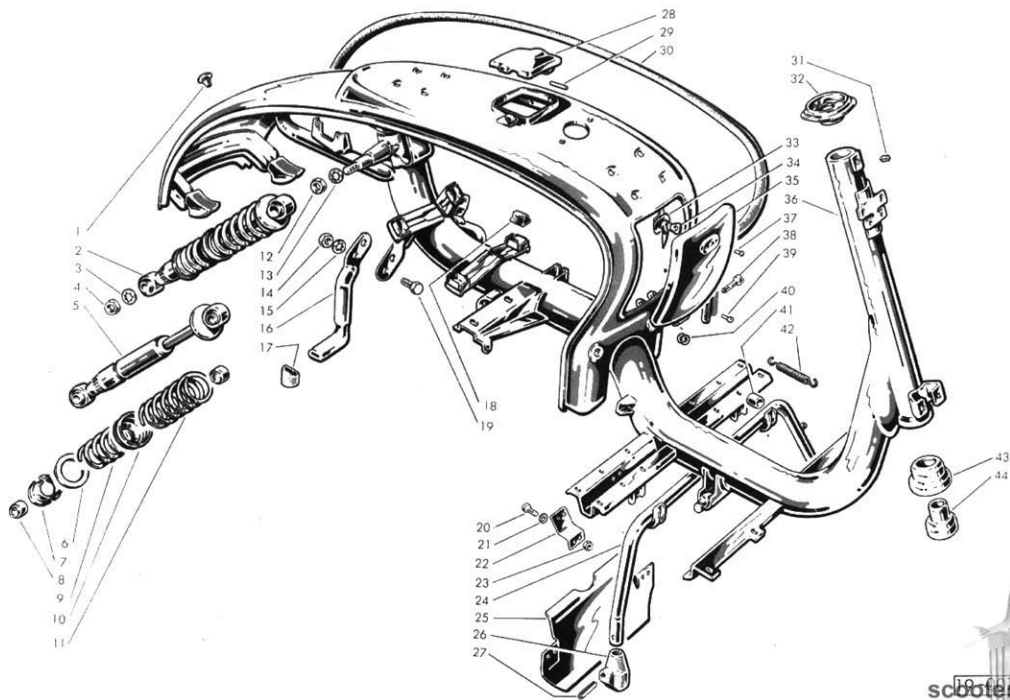
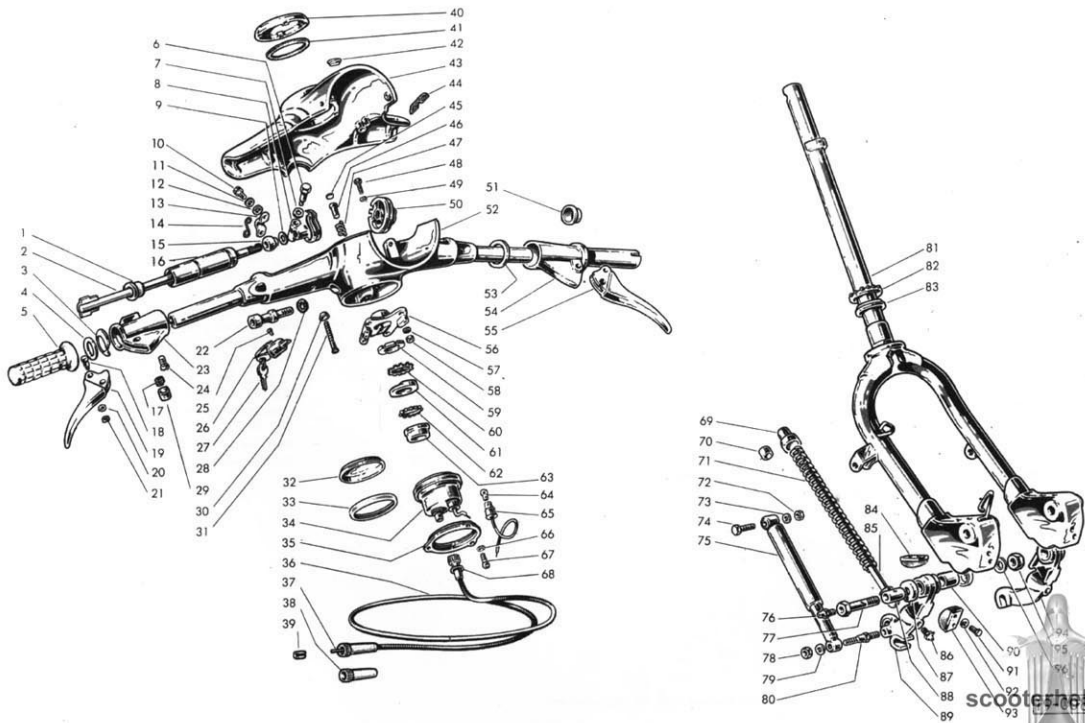


Fig. No.	Part No.	Description	Quantity	Fig. No.	Part No.	Description	Quantity
1	19062022	Antivibration bush, for control shafts at fig. 2	2	34	00611050 TA-3609/B	Speedometer (Km)	(150 cc) 1
2	19062030	Shaft, for throttle and gear change control	2		00611051 TA-4609/B	Speedometer (mi)	
3	15063005	Friction washer	2		00611030 TA-3609/A	Speedometer (Km)	
4	15063003	Spacing washer, for twist grip	1		00611031 TA-4609/A	Speedometer (mi)	
5	19062016	Twist grip	2		00611052 TA-3609/C	Speedometer (Km)	
6	15062015	Locking screw, for roller	2		00611053 TA-4609/C	Speedometer (mi)	
7	83100005	Spring washer, for screws at fig. 6	2	35	00611033 SO/0-39	Ring, fixing speedometer	(125 cc) 1
8	15063004	Roller, for throttle control cable	1	36	00611038 TR 1003x1120	Cable, complete for speedometer	
9	15062013	Thickness washer, for control shafts	2	37	00611039 57900/0-1155	Inner cable, for speedometer	
10	70360412	Screw, fixing plates with spherical seat	4	38	00611040 TR 1003-M 1	Ring, with sleeve	
11	83110004	Spring washer, for nuts at fig. 10	4	39	00611041 TR 025-006	Bush	
12	73010043	Plain washer, for clips at fig. 14	2	40	19161025**	Plug, for speedometer drive housing (125 cc)	
13	15062012	Plate, with spherical seat for bush at fig. 15	2	41	19161026**	Gasket, for plug (125 cc)	1
14	19222012	Clip, holding control cables	2	42	19261009	Light indicator	1
15	15062011	Spherical bush, for control shaft	2	43	19261030	Handlebar, (upper part) with items at fig. 44	1
16	19063006	Sleeve, for throttle control	1	44	15061011	Gasket, for handlebar	2
17	19062021	Spring, for push rod at fig. 29	2	45	15088003	Disc, for steering lock	1
18	19062002	Pin, for levers at figs. 19-55	2	46	15088001	Pin, for steering lock	1
19	19062024	Lever, front brake control	1	47	15088002	Spring, for steering lock pin	1
20	19062004	Antivibration washer, for pins at fig. 18	2	48	70300625	Screw, fixing clamp to handlebar	4
21	19062003	Nut, for pins at fig. 18	2	49	73010064	Plain washer, for screw at fig. 48	4
22	19261005	Screw, fixing handlebar	1	50	15062014	Roller, for gear change inner cables	1
23	19063001	Support, front brake levers (125-150 cc)	1	51	19062006	Antivibration bush	1
	19263001	Support, front brake levers (175 cc)	1	52	19061100	Handlebar, (lower part) with items at figs. 45, 46, 47, 48, 49, 46, 57, 58 (125-150 cc)	1
24	71480612	Screw, fixing twist grip support	2		19261020	Handlebar, (lower part) with items at figs. 45, 46, 47, 48, 49, 56, 57, 58 (175 cc)	1
25	15088006	Grub screw, fixing steering lock	1	53	15062017	Thrust washer, gear change control sleeve	1
26	15088010	Steering lock, complete with key at fig. 27	1		54	19062040	Support, for clutch and gear change control lever
27	15088005*	Keys, for steering lock	2	55	19062024	Lever, for clutch control	1
28	83120010	Spring washer, for screw at fig. 22	1		56	19261008	Clamp, for handlebar
29	19062019	Push rod, for levers at figs. 19-55	2	57	83100006	Spring washer, for screw at fig. 43	4
30	83130005	Spring washer, for screws at fig. 31	2				
31	71450548	Screw, fixing handlebar	2				
32	00611032 TA 3609-002	Transparent cover	1				
33	00611013 GN 3/19	Gasket, for speedometer cover	1				





scooterhelp.com



Fig. No.	Part No.	Description	Quantity	Fig. No.	Part No.	Description	Quantity
58	19061110	Nut, for screws at fig. 48	4	81	19060210	Front fork (150-175 cc)	1
59	15061018	Ring, for steering adjustment	1	81	19260210	Front fork (175 cc)	1
60	19061025	Thrust washer, for ring	1	82	15060020	Ball race, lower	1
61	15061019	Cone, upper, for ball race	1	83	19060028	Cone, for lower ball race	1
62	15061060	Ball race, upper, for steering	1	84	15060100	Plate, with rebound buffer for suspension spring	2
63	15061021	Cone, lower for ball race	1	85	19060090	Piston, for guiding suspension spring	2
64	15087002	Bulb, 12 V - 2,5 W for speedometer	1	86	87020006	Grease nipple, for trailing link	2
65	00611015	PL-055/B Bulb holder, with cable	1	87	19060017	Greaser caps	4
66	83120003	Spring washer, for screws at fig. 67	3	88	15060015	Pin, for trailing link	2
67	70850307	Screw, fixing rim	3	89	19060060	Trailing link, right hand, with bush at fig. 90 (125-150 cc)	1
68	00611018	GN-9-07 Gasket, for ring	1		15060060	Trailing link, right hand, with bush at fig. 90 (175 cc)	1
69	19060030	Guide ring, complete with item at fig. 70	2	90		15060014	Bush, for trailing link
70	19060023	Bush, for guide ring	2	91	70360608	Screw, fixing plate	8
71	19060021	Suspension spring	2	92	83120006	Spring washer, for screws at fig. 91	8
72	72060006	Nut, for screw at fig. 74	2	93	15060070	Plate, with rebound buffer	2
73	73120006	Washer, for nut at fig. 72	2	94	19060050	Trailing link, left hand, with bush at fig. 90 (125-150 cc)	1
74	70330625	Screw, fixing upper end shock absorber (175 cc)	2		15060050	Trailing link, left hand, with bush at fig. 90 (175 cc)	1
75	15060080	Shock absorber, front	2	95		72070012	Nut, for screws at fig. 77
76	87020006	Greaser nipple, for trailing link	2	96	83120012	Spring washer, for nuts at fig. 95	2
77	15060016	Screw, for pins	2				
78	72060006	Nut, for screws at fig. 80 (175 cc)	2				
79	83120006	Washer, for nut at fig. 78 (175 cc)	2				
80	15060032	Screw, fixing lower end shock absorber (175 cc)	2				

- * When ordering spare keys please specify the serial number and the manufacturer.
- * Items to be assembled in place of speedometer.



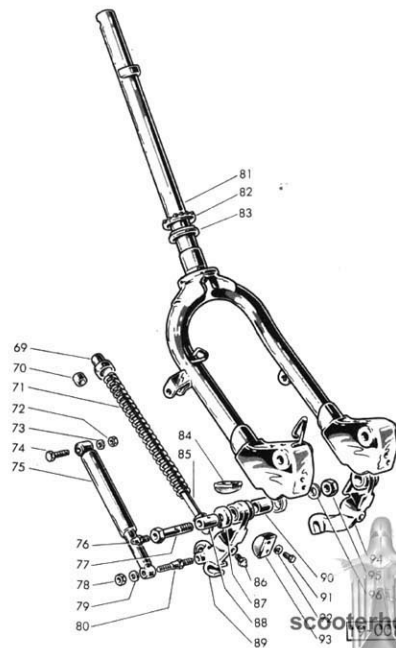
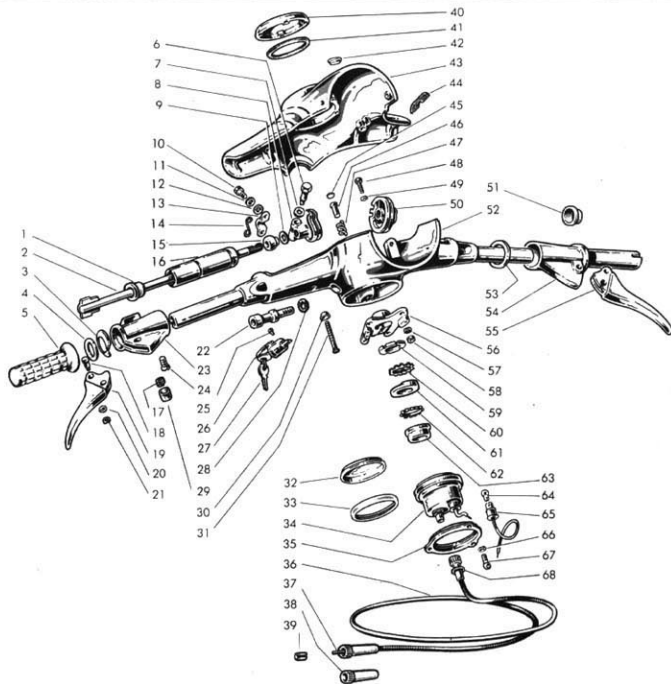
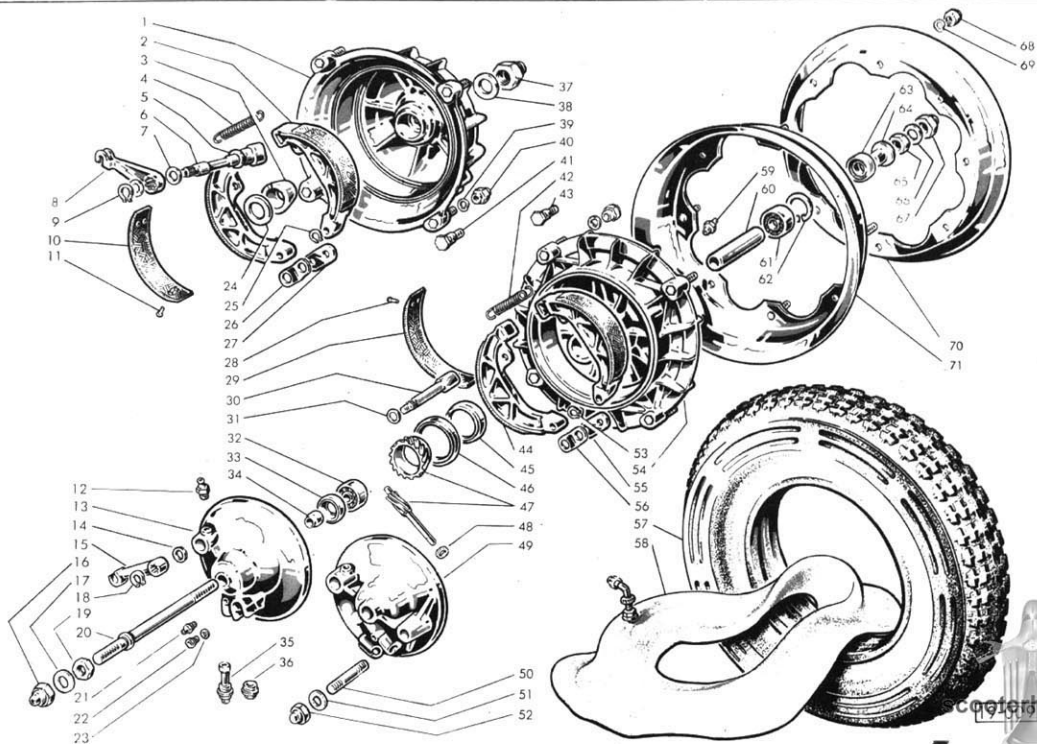


Fig. No.	Part No.	Description	Quantity	Fig. No.	Part No.	Description	Quantity	
1	19045090	Rear hub, with items at figs. 3-24-43	1	35	00611044	RV-437-M2	Bush, for speedometer drive pin	1
2	15044040	Brake shoe, with lining for rear wheel	2	36	85801602*		Plug, for bush housing (125 cc)	1
3	19045003	Cone, for rear wheel arm	1	37	19045060		Nut, fixing rear wheel	1
4	15044023	Return spring, for rear brake shoes	1	38	83100016		Spring washer, for nut at fig. 37	1
5	19031015	Washer, for brake shoes control shaft	2	39	83100008		Spring washer, for nuts at fig. 40	8
6	19045004	Shaft, with cam for rear brake shoes control	1	40	15044110		Nut, fixing ring to hubs	8
7	19059021	Gasket, for shaft	1	41	19044002		Stud, for rear wheel hub	4
8	19059019	Lever, for rear brake control	1	42	15044023		Return spring, for front wheel brake shoes	1
9	73260010	Circlip, fixing lever	1	43	19044002		Stud, for front wheel hub	4
10	15044024	Lining, for rear brake shoe	2	44	15044040		Brake shoe, with lining for front wheel	2
11	15044038	Rivet, for brake shoe lining	16	45	15044041		Bush, for packing	1
12	87020006	Grease nipple, for front wheel	1	46	15044028		Packing, front wheel hub	1
13	19044140	Back plate, front brake shoes (150-125 cc)	1	47	00611042	RV-437	Speedometer drive group, complete with items at figs. 35 and 48	1
14	15044019	Washer, for brake control cam	1	48	00611043	RS-008	Thrust washer, for speedometer drive pinion	1
15	15044017	Lever, front brake control	1	49	15044150		Back plate, front brake shoe	1
16	15044070	Nut, fixing front wheel	1	50	15044015		Stud, for back plate	1
17	15044014	Washer, centering axle	1	51	15044014		Plain washer, for nut at fig. 52	(175 cc) 1
18	73260010	Circlip, for lever	1	52	15044070		Nut, for stud at fig. 50	1
19	72070012	Nut, for wheel axle	1	53	73260012		Circlip, for brake shoe connecting plate	2
20	19044004	Axle, front wheel (150-125 cc)	1	54	19044130		Hub, front wheel with studs at fig. 43	1
	15044004	Axle, front wheel (175 cc)	1	55	15044022		Plate, connecting brake shoe pins	1
21	87020006	Grease nipple, for speedometer drive and cam	1	56	15044044		Spring plate, for brake shoe pins	1
22	70360608*	Plug screw, for greaser housing (125 cc)	1	57	15044036		Tyre (3.5" x 10")	2
23	83100006*	Spring washer, for plug screw at fig. 22 (125 cc)	1	58	19044037		Inner tube (3.5" x 10")	2
24	19045005	Distance washer, for cone	1	59	87020008		Grease nipple, for front wheel	1
25	73260012	Circlip, for brake shoes connecting plate	2	60	15044006		Distance piece, for pin	1
26	15044044	Spring plate, for brake shoe pins	1	61	15044005		Ball bearing, for front wheel	1
27	15044022	Plate, connecting brake shoe pins	1	62	73250032		Circlip, front wheel bearing	1
28	15044038	Rivet, for brake shoe lining	16	63	15044011		Oil seal, front wheel (17 x 32 x 7)	1
29	15044024	Lining, for front brake shoe	2	64	15044008		Distance piece, left hand, for front wheel axle	1
30	19044050	Cam, front brake shoe control	1	65	72070012		Nut, for front wheel axle	1
31	15044018	Washer, for front brake shoe cam	1	66	15044014		Washer, centering wheel axle	1
32	15044005	Ball bearing, front wheel	1	67	15044070		Nut, fixing front wheel	1
33	15044011	Oil seal (17 x 32 x 7)	1	68	15044100		Nut, fixing rings	3
34	15044007	Distance piece, right hand, for front wheel axle	1	69	83100008		Spring washer, for nuts at fig. 68	3
				70	19044034		Ring, left hand, for front and rear wheel	1
				71	19044060		Ring, right hand, for front and rear wheel	2

* Items to be assembled in place of speedometer.





www.cocotermhelp.com



Fig. No.	Part No.	Description	Quantity	Fig. No.	Part No.	Description	Quantity
—	19083070	Tail light, complete with stop light	1	23	87350070	Grommet, for tail light wire	1
1	19083005	Screw, fixing red gem	2	24	19082130	Earth wire, engine, frame and H. T. coil	1
2	15083004	Bulb, for tail light and stop 6 V - 3 W	3	25	15017006	Grommet, for H. T. cable	1
3	19083090	Red gem	1	—	19280010	Headlamp, complete (CEV)	1
4	71160305	Screw, fixing flexible bulb holder	2	—	19280060	Headlamp, complete (Carello)	1
5	73010032	Washer, for screws at fig. 4	(125 cc) 2	26	15080004	Bulb, 6 V - 5 W for parking light	1
6	19283050	Flexible bulb holder, for tail light	1	27	15080030	Lampholder (CEV)	1
7	15083006	Gasket, for tail light	1	27	19080080	Lampholder (Carello)	1
8	15083003	Bar, fixing tail light	1	28	15080003	Bulb, 6 V - 25/25 W	1
9	73020053	Plain washer, for nuts at fig. 11	2	29	15080008	Clip, holding lampholder (CEV)	1
10	83100005	Spring washer, for nuts at fig. 11	2	29	19080014	Clip, holding lampholder (Carello)	1
11	72030005	Nut, fixing tail light	1	30	19280007	Reflector (CEV)	1
—	19083110	Tail light, complete with stop light	1	30	19280013	Reflector (Carello)	1
12	19083120	Red gem	1	31	87300005	Plug pin, for cables	24
13	19083017	Screw, fixing red gem	2	32	19280006	Gasket, between glass and reflector (CEV)	1
14	19083016	Gasket, for red gem	1	33	19280005	Glass (CEV)	1
15	19083130	Reflector	1	33	19080011	Glass (Carello)	1
16	19083014	Bulb, twin filament 6 V - 5/20 W	(150 cc) 1	34	19280008	Gasket, between glass and rim (CEV)	1
17	19083018	Gasket, for tail light	(175 cc) 1	34	19080012	Gasket, for glass (Carello)	1
18	15083003	Bar, fixing tail light	1	35	19280020	Headlamp rim (CEV)	1
19	19082050	Earth wire, for tail light	1	35	19280070	Headlamp rim (Carello)	1
20	73020053	Plain washer, for nuts at fig. 22	2	36	15080002	Cone washer	3
21	83100005	Spring washer, for nuts at fig. 22	2	37	71480412	Screw, fixing headlamp	3
22	72030005	Nut, fixing tail light	2	38	19280016	Screw, fixing retaining plate (Carello)	1
				39	19280015	Retaining plate, for reflector (Carello)	1



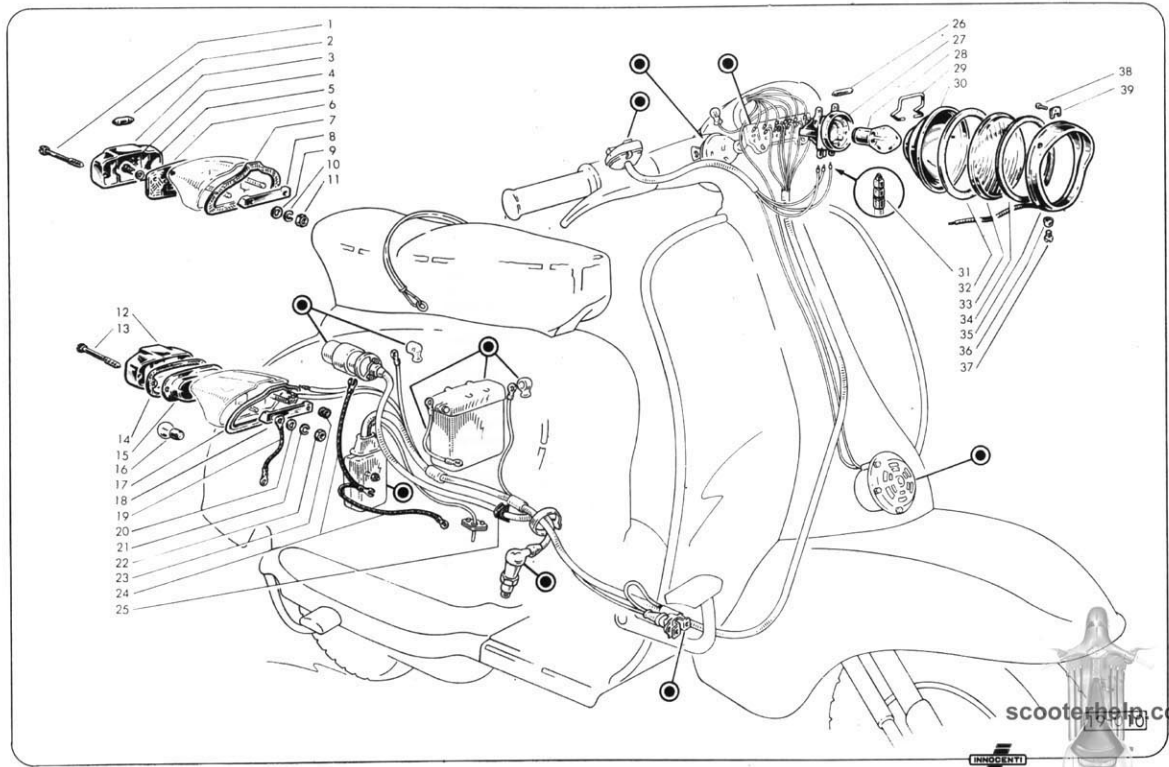


Fig. No.	Part No.	Description	Quantity
1	15081029	Threaded trunnion, for battery strap	1
2	19081043	Screw, for battery fixing strap	1
3	15081031	Bored trunnion, for battery strap	1
4	19081039	Strap, fixing battery	1
5	15081021	Felt, for battery	1
6	19081420	Battery housing	(150 cc) 1
7	72030005	Nut, for screw at fig. 16	(175 cc) 1
8	83110005	Tab washer, for screw at fig. 16	2
9	83000006	Plain washer, for nut at fig. 11	2
10	83120006	Spring washer, for nut at fig. 11	2
11	72030006	Nut, fixing battery housing	2
12	15017070	Cap, for spark plug	1
13	19017016	Grommet, for spark plug cap	1
14	15017013	H.T. lead	1
15	15082020	Earth wire, from battery to frame (150-175 cc)	1
16	70360510	Screw, fixing battery earth wire (150-175 cc)	1
17	87310001	Bush, for spark plug (Thread 4MA)	1
	87310005	Bush, for spark plug (Thread 5/32")	1
18	72030006	Nut, fixing rectifier group (150-175 cc)	1
19	83100006	Spring washer, for nut at fig. 18 (150-175 cc)	1
20	15017040	Spark plug	1
21	19081410	Cover, for battery (150-175 cc)	1
22	19081320	Junction box, with resistance (125 cc)	1
23	19081310	Junction box (150 cc)	1
	19281310	Junction box (175 cc)	1
24	72030004	Nut, for screw at fig. 27	2
25	73170043	Spring washer, for nut at fig. 24	(150 cc) 2
26	73020043	Plain washer, for nut at fig. 24	(175 cc) 2
27	70360410	Screw, for battery terminal	2
28	19081400	Battery, with cover at fig. 21	1
29	19081370	Engine cut out button (150-175 cc)	1

Fig. No.	Part No.	Description	Quantity
30	19081033	Protection cap, for rectifier group (150-175 cc)	1
	19181033	Protection cap, for rectifier group (125 cc)	1
	19081380	Rectifier group-impedance (150-175 cc)	1
31	19181300	Group-impedance (125 cc)	1
32	70850412	Screw, fixing plate	2
33	83100004	Spring washer, for screws at fig. 32	2
34	19017017	Plate, for L. T. wire	2
35	19017018	Grommet, L. T. wire	1
36	15017007	Gasket, for plate	1
37	15081032	Protection cap, for switch (175 cc)	1
38	19281220	Switch, with key at fig. 39 (175 cc)	1
39	15081037*	Key, for switch (175 cc)	2
40	83110005	Spring washer, for screws at fig. 41	2
41	70850520	Screw, fixing junction box to frame	2
42	72030004	Nut, fixing stop light switch	2
43	83100004	Spring washer, for nuts at fig. 42	2
44	19081390	Stop light switch (150-175 cc)	1
	19281260	Stop light switch (125 cc)	1
45	19081045	Protection cap, for switch (150-175 cc)	1
	19281026	Protection cap, for switch (125 cc)	1
46	71450325	Screw, fixing switch cables (150-125 cc)	2
47	19081360	Switch, with cables (150 cc)	1
	19181360	Switch, with cables (125 cc)	1
48	19081240	Horn (150-125 cc)	1
	15081270	Horn (175 cc)	1
49	71013510	Screw, fixing horn	2
50	83120035	Spring washer, for screws at fig. 49	2
51	15081024	Shock pad, for horn	2
52	71450322	Screw, fixing headlamp switch (175 cc)	2
53	19281230	Headlamp switch (175 cc)	1

* When ordering spare keys, please specify the serial number and the manufacturer.



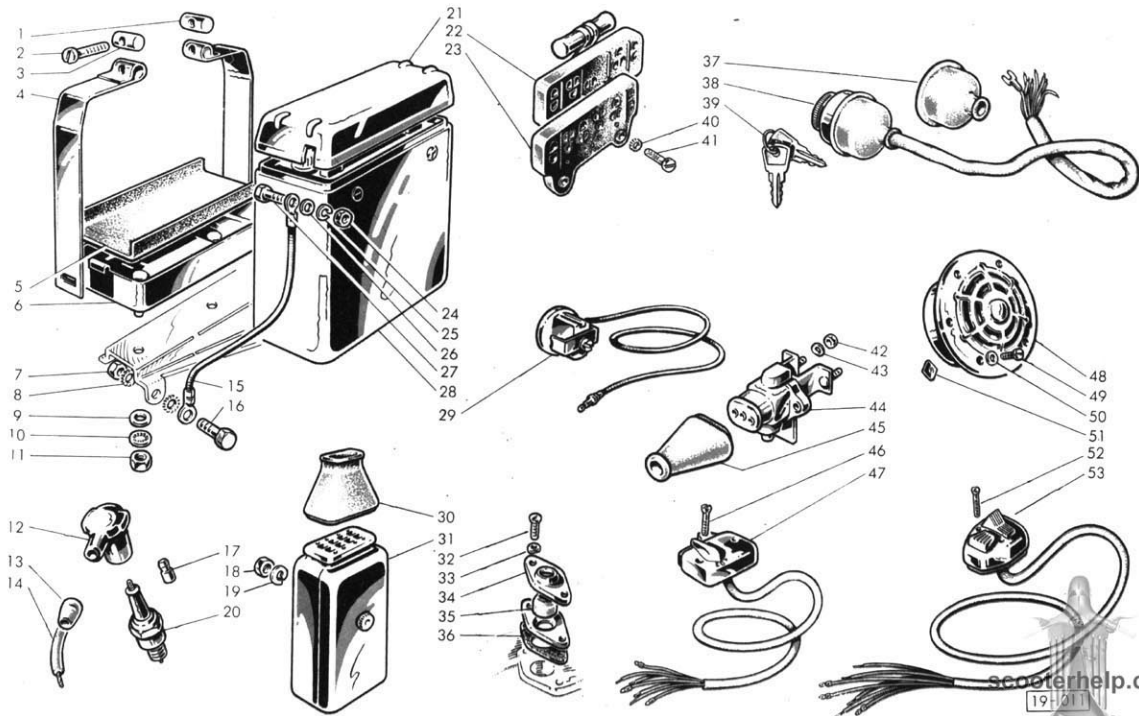


Fig. No.	Part No.	Description	Quantity	Fig. No.	Part No.	Description	Quantity
1	70300418	Screw, fixing antishock pad and H.T. coil	5	16	00840015	Flywheel (150-125 cc)	1
2	15017009	Distance piece, for antishock pad	5		00840041	Flywheel (175 cc)	1
3	15017008	Antishock pad, for H.T. coil	1	17	00840012	Screw, fixing condenser and contact points	1
4	83120004	Spring washer, for screws at fig. 1	5	18	83110004	Spring washer, for screw at fig. 17	1
5	72030004	Nut, for screw at fig. 1	2	19	00840020	Ignition cable	1
—	00840013	Flywheel magneto « DUCATI » (150-125 cc)	1	20	00840024	Condenser	1
—	00840042	Flywheel magneto « DUCATI » (175 cc)	1	21	00840017	L.T. Ignition coil	1
6	00840018	L.T. Lighting coil (150-125 cc)	1	22	73170043	Spring washer, for screws at fig. 24	4
—	00840040	L.T. Lighting coil (175 cc)	1	23	00840021	Adjustment cam	1
7	19017014	Plate, fixing flywheel magneto wires	1	24	71180425	Screw, fixing coils	4
8	00840019	Felt pad	1	25	70300622	Screw, fixing stator plate	3
9	00840014	Stator plate	1	26	83100006	Spring washer, for screws at fig. 25	3
10	70360614	Screw, fixing H.T. coil	2	27	83160032	Spring washer, for item at fig. 28	1
11	83120006	Spring washer, for screws at fig. 10	2	28	00840022	Contact points	1
12	73010064	Plain washer, for screws at fig. 10	2	29	00840027	Circlip, for dust protector cover	1
13	00840016	H.T. coil, with support band	1	30	00840026	Cover, dust protector	1
14	15017011	Support plate, for fixing H.T. Coil	1	31	19017002	Nut, locking flywheel magneto	1
15	15017014	Earth plate, for H.T. coil	1	32	19017015	Spring washer, for nut at fig. 31	1



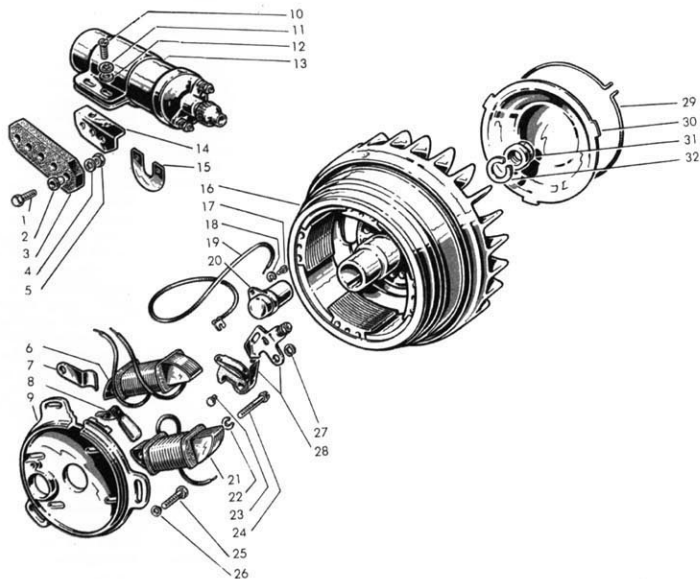


Fig. No.	Part No.	Description	Quantity	Fig. No.	Part No.	Description	Quantity
1	15055057	Buffer, for rear mudguard	1	36	15055180	Lock, L.H., complete with items at figs. 9, 10, 12, 13, 14, 15, 16, 17, 19, 68	1
2	72030005	Nut, for screws at fig. 4	3		15055190	Lock, R.H., complete with items at figs. 9, 10, 11, 13, 14, 15, 16, 17, 19	1
3	83120005	Spring washer, for nuts at fig. 2	3	37	72030005	Nut, for screws at fig. 35	2
4	71300522	Screw, fixing rear number plate	2	38	83120005	Spring washer, for nuts at fig. 37	2
	71300528	Screw, fixing rear number plate	1	39	73010053	Plain washer, for nuts at fig. 37	2
5	19083001	Rear number plate	1	40	15050052	Antivibration washer, for footboard	8
6	19083019	Buffer, for rear number plate	2	41	73010053	Plain washer, for nuts at fig. 43	8
7	19083021	Buffer, for rear number plate	1	42	83120005	Spring washer, for nuts at fig. 43	8
8	15055055	Antivibration washer, for panel lock	2	43	72030005	Nut, fixing strips and footboard	8
9	71420614	Screw, for fixing handle	2	44	71420425	Screw, fixing strips (intermediate holes)	4
10	83130006	Spring washer, for screws at fig. 9	2	45	71420409	Screw, fixing strips (front part)	6
11	15055064	Handle, for right hand lock	1	46	71420416	Screw, fixing strips (intermediate holes)	2
12	15055044	Bush, for panel lock	2	47	83100006	Spring washer, for screws at fig. 48	6
13	15055045	Cup, retaining caps	2	48	19050099	Special screw, fixing end caps	6
14	15055042	Pressure spring, for panel lock	2	49	19050104	Belleville washer, for nuts at fig. 50	12
15	15055043	Cup, retaining spring	2	50	72030004	Nut, for screws at figs. 27, 44, 46	12
16	15055047	Circlip, for panel lock	2	51	73010052	Screw, fixing connecting piece	2
17	15055046	Protection cap, for panel lock	2	52	15050057	Connecting piece, between legshield and frame	1
18	19255100	Panel R.H. (125-150 cc)	1	53	15050061	Antivibration washer, for connecting piece	2
	19255100	Panel R.H. (175 cc)	1	54	15050052	Antivibration washer	2
19	19055048	Split pin, for panel lock	2	55	73010053	Plain washer, for nut at fig. 57	2
20	19050290	Strip, inner, right hand, for footboard	1	56	83120005	Spring washer, for nut at fig. 57	2
21	19050300	Strip, outer, right hand, for footboard	1	57	72030005	Nut, for screws at fig. 51	2
22	19050101	Footboard, R.H.	1	58	71450425	Screw, fixing end caps	6
23	19050098	Elastic nut, for screw fixing strips	12	59	19050108	End caps, rear, for footboard strips	6
24	19150105	Mat, for footboard strips (125 cc)	6	60	15050052	Antivibration washer	6
25	19150101	Strip, inner and outer, for footboard (125 cc)	4	61	19050104	Belleville washer, for nuts at fig. 62	6
26	19150102	Strip, intermediate, for footboard (125 cc)	2	62	72030004	Nut, for screws, at fig. 58	6
27	71450422	Screw, fixing rear end caps (125 cc)	6	63	19050097	Intermediate screw, fixing beading channel	8
28	72030005	Nut, for screws at fig. 33	2	64	19050098	Elastic nut, for screws at fig. 63	8
29	83120005	Spring washer, for nuts at fig. 28	2		19050096	Intermediate screw, fixing beading channel	4
30	73010053	Plain washer, for nut at fig. 28	2	65	19050104	Belleville washer, for nuts at fig. 67	1
31	15055070	Rear mudguard	1	66	19050104	Belleville washer, for nuts at fig. 67	1
32	73010053	Plain washer, for screws at fig. 33	2	67	72030004	Nut, for screws at fig. 65	1
33	70910514	Screw, fixing rear mudguard	2				
34	73010053	Plain washer, for screws at fig. 35	2				
35	70910514	Screw, fixing rear mudguard	2				



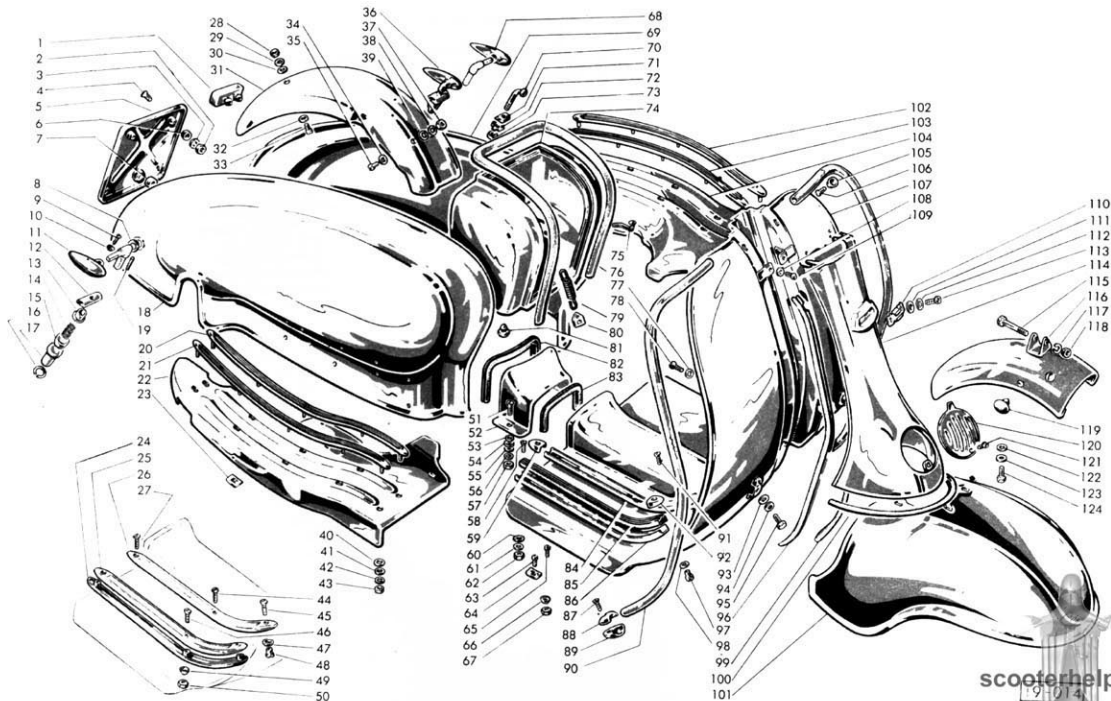


Fig. No.	Part No.	Description	Quantity	Fig. No.	Part No.	Description	Quantity
68	15055063	Handle, for left hand lock	1	97	19050099	Special screw, fixing front end caps (150 - 175 cc)	6
69	19055090	Panel, L.H. (150-125 cc)	1	98	83100006	Spring washer, for screws at fig. 97	6
69	15055090	Panel, L.H. (175 cc)	1	99	15050046	Gasket, left hand between horn casting and legshield	1
70	15086007	Rod, upper, tor luggage-box	1	100	15050049	Gasket, between mudguard and horn casting	1
71	15086006	Adjustable plate	3	101	15050060	Front mudguard	1
72	15086008	Safety plate	3	102	19050280	Strip, outer, left hand, tor bootboard	1
73	72030005	Nut, for rod at figs. 70, 75	1	103	19050270	Strip, inner, left hand, for footboard	1
74	15086010	Luggage-box	1	104	19050054	Footboard, L.H.	1
75	15086017	Rod, lower for luggage-box	2	105	15050066	Cone washer, for screw at fig. 106	2
76	19086018	Gasket, for luggage-box	1	106	71420514	Screw, fixing horn casting to legshield	2
77	15050066	Cone washer, for screws at fig. 78	2	107	19050110	Legshield (150 - 125 cc)	1
78	71420516	Screw, fixing horn casting to legshield	2	107	19250090	Legshield (175 cc)	1
79	15086016	Spring, retaining tool bag	1	108	83120005	Washer, for screw at fig. 109	2
80	15086015	Plate, for spring	1	109	70360516	Screw, fixing legshield to frame	2
81	15086009	Buffer, for luggage-box	1	110	19250069	Spring hook, for nane plate	1
82	15050059	Gasket, for legshield connecting piece	1	111	73010064	Plain washer, for screws at fig. 113	2
83	15050058	Gasket, for connecting piece	1	112	83120006	Spring washer, for screws at fig. 113	2
84	19050105	Beading channel, outer and inner for footboard	4	113	71060616	Screw, fixing horn casting and spring hook to frame	2
85	19050093	Beading, for bootboard	6	114	19250086	Horn casting	1
86	19050106	Intermediate beading channel, for footboard	2	115	70330645	Screws, fixing internal mudguard to front fork	1
87	70910416	Screw, fixing end cap	4	116	19060160	Internal mudguard	1
88	15050064	End cap, inner, for saver border	4	117	83120006	Spring washer, for nut at fig. 118	1
89	15050063	End cap, outer, for saver border	4	118	72030006	Nut, for screw at fig. 115	1
90	15050062	Beading, for legshield	2	119	15060039	Buffer, anchoring front mudguard	2
91	71420410	Screw, fixing front end caps (150 - 175 cc)	6	120	19250083	Cover, for horn	1
92	19050107	End cap, front (150 - 175 cc)	6	121	71480410	Screw, fixing horn cover	1
93	73010053	Plain washer, for screw at fig. 95	2	122	73010053	Plain washer, for screws at fig. 124	4
94	83120005	Spring washer, for screws at fig. 95	2	123	83120005	Spring washer, for screws at fig. 124	4
95	70300520	Screw, fixing mudguard to legshield	2	124	70360516	Screw, fixing mudguard to horn casting	4
96	15050047	Gasket, right hand for horn casting and legshield	1				



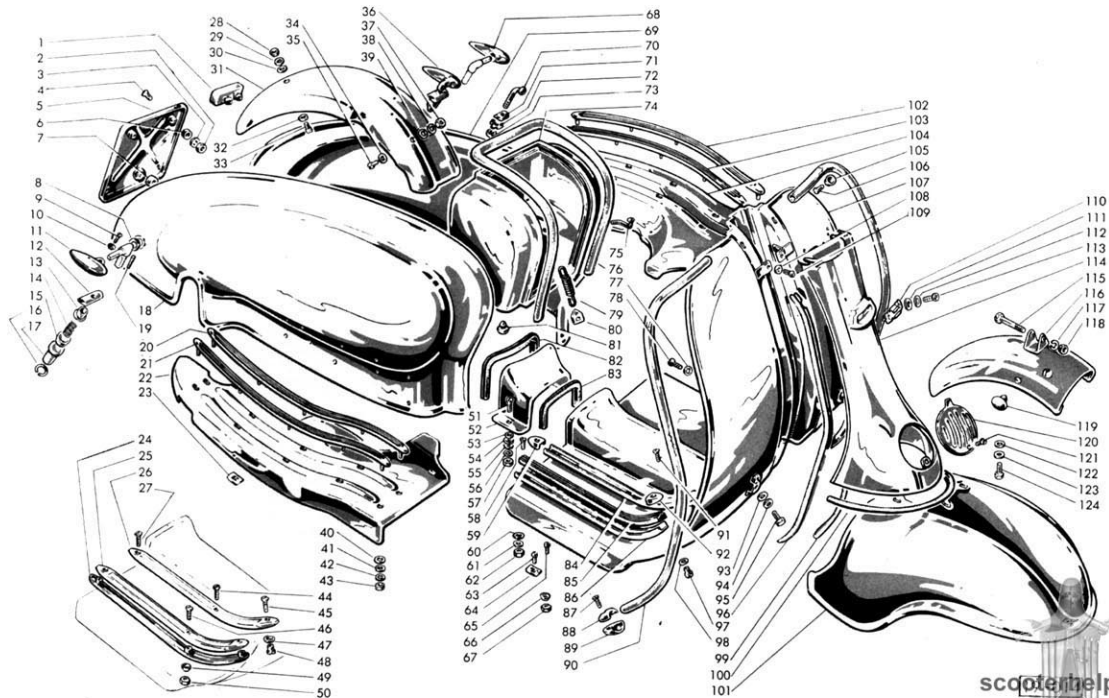


Fig. No.	Part No.	Description	Quantity	Fig. No.	Part No.	Description	Quantity
1	19059050	Adjuster clamp, for rear brake cable, complete with items at figs. 2 - 3 - 16 - 17 - 18 - 21 - 22	1	37	19031017	Adjuster screw support, for gear change and clutch cable	1
2	19059001	Adjuster trunnion	1	38	19059006	Plate, locking rear brake cable	1
3	19059003	Adjuster ring, for rear brake	1	39	19032016	Gasket, for plate	1
4	15022009	Grub, locking gear change and clutch cable	3	40	19032050	Cable, gear change, complete	2
5	15022011	Disc, for grub	3	41	19032024	Clip, for cables	1
6	15022006	Trunnion, locking clutch cable	1	42	19090018	Tube, cable protection	1
7	19032007	Protection, for gear change lever	1	43	15059012	Tierod, rear brake control	2
8	19032005	Tierod, gear change	1	44	83100010	Spring washer, for nut at fig. 45	1
9	19022040	Inner cable, with terminal for clutch	1	45	72070010	Nut, for pin at fig. 58	1
10	73260010	Circlip, for gear change control lever	1	46	83010006	Plain washer, for pin at fig. 59	1
11	19031012	Thickness washer, for gear change lever	1	47	74401522	Split pin, for pin at fig. 59	1
12	15022008	Trunnion, for locking gear change cable	1	48	73260012	Circlip, for rear brake pedal	1
13	19031003	Lever, gear change control	1	49	87020006	Grease nipple	1
14	19032003	Trunnion, for locking gear change cable and tierod	1	50	83010012	Thickness washer, for rear brake pedal	1
15	15065006	Spring, for rear brake adjustment screw	1	51	15059005	Bush, for rear brake control lever	1
16	19059015	Adjustment screw, rear brake cable	1	52	19059017	Return spring, rear brake pedal	1
17	19059005	Screw, locking cable plate	1	53	15059006	Washer, guiding spring	1
18	19059016	Plate, fixing rear brake cable	1	54	19059010	Pedal, for rear brake with bush	1
19	15059009	Ferrule, rear brake cable	2	55	19015030	Throttle cable, complete	1
20	19059011	Inner cable, rear brake	1	56	15017006	Grommet, throttle cable control	1
21	83100007	Spring washer, for nut at fig. 22	1	57	15059022	Protection hose, for rear brake cable control	1
22	19032008	Nut, for screw at fig. 17	1	58	15059013	Pin, rear brake cable	1
23	19022014	Protection hose, for clutch cable	1	59	15059014	Pin, rear brake tierod	1
24	19059030	Cable, complete, for rear brake	1	60	15059003	Protection rubber, rear brake pedal	1
25	19032001	Adjuster screw, for gear change cable	2	61	86500300	Band, fixing cables	2
26	19032008	Nut, for screws at figs 25, 27	3	62	70850512	Screw, fixing band	1
27	19032001	Adjuster screw, for clutch cable	1	63	19090011	Band, fixing cables	1
28	19022030	Clutch cable, complete	1	64	83110005	Plain washer, for nut at fig. 65	1
29	19032060	Inner cable, with trunnion for gear change control	2	65	72030005	Nut, for screw at fig. 62	1
30	70360614	Screw, fixing gear change lever pin	2	66	15065020	Adjuster clamp, for front brake cable complete with items at figs. 67 - 68 - 69 - 70 - 75 - 76 - 77	1
31	83100006	Spring washer, for screws at fig. 30	2	67	19059003	Adjuster ring, for front brake	1
32	19031006	Pin, gear change control lever	1	68	15065005	Trunnion	1
33	19031004	Gasket, for pin	1	69	15065006	Spring, for adjuster screw	1
34	19022015	Protection hose, for gear change and clutch cable	3	70	15065004	Adjuster screw, front brake cable	1
35	70360614	Screw, fixing adjuster screw support	2	71	19065070	Inner cable, with terminal	1
36	83100006	Spring washer, for screws at fig. 35	2				



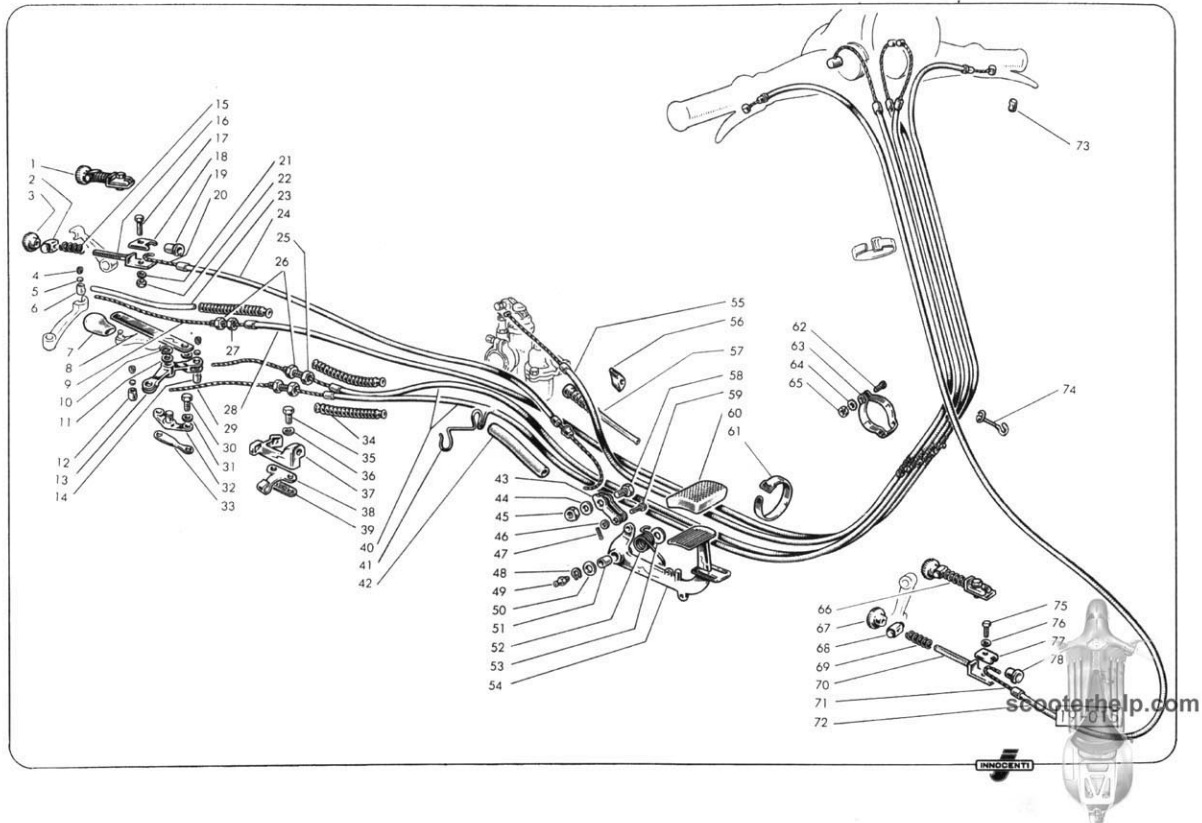


Fig. No.	Part No.	Description	Quantity	Fig. No.	Part No.	Description	Quantity
72	19065060	Cable, complete, front brake control	1	76	83120005	Spring washer, for screw at fig. 75	1
73	19022016	Trunnion, for clutch and front brake cables	1	77	15065008	Plate, fixing front brake cable	1
74	15065009	Clip, fixing front brake cable	1	78	85701035	Ferrule, front brake cable	1
75	70360512	Screw, locking cable plate	1				



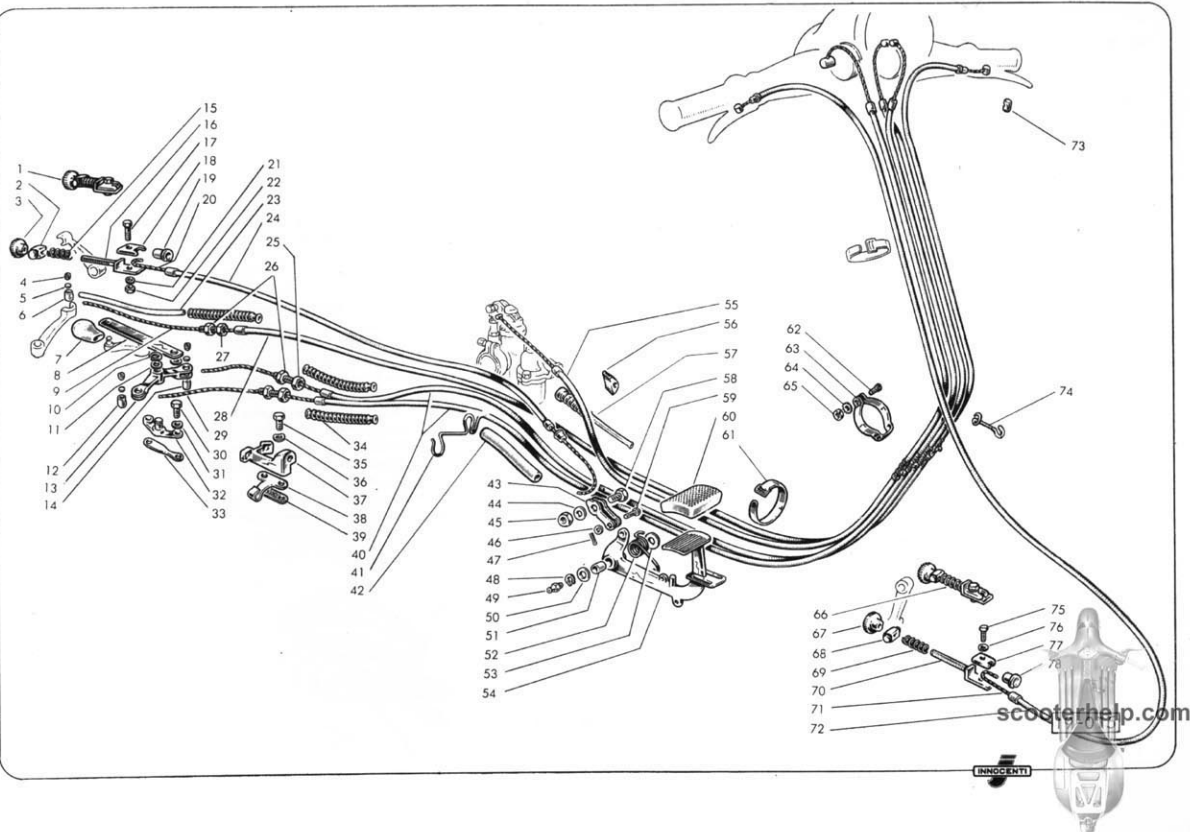
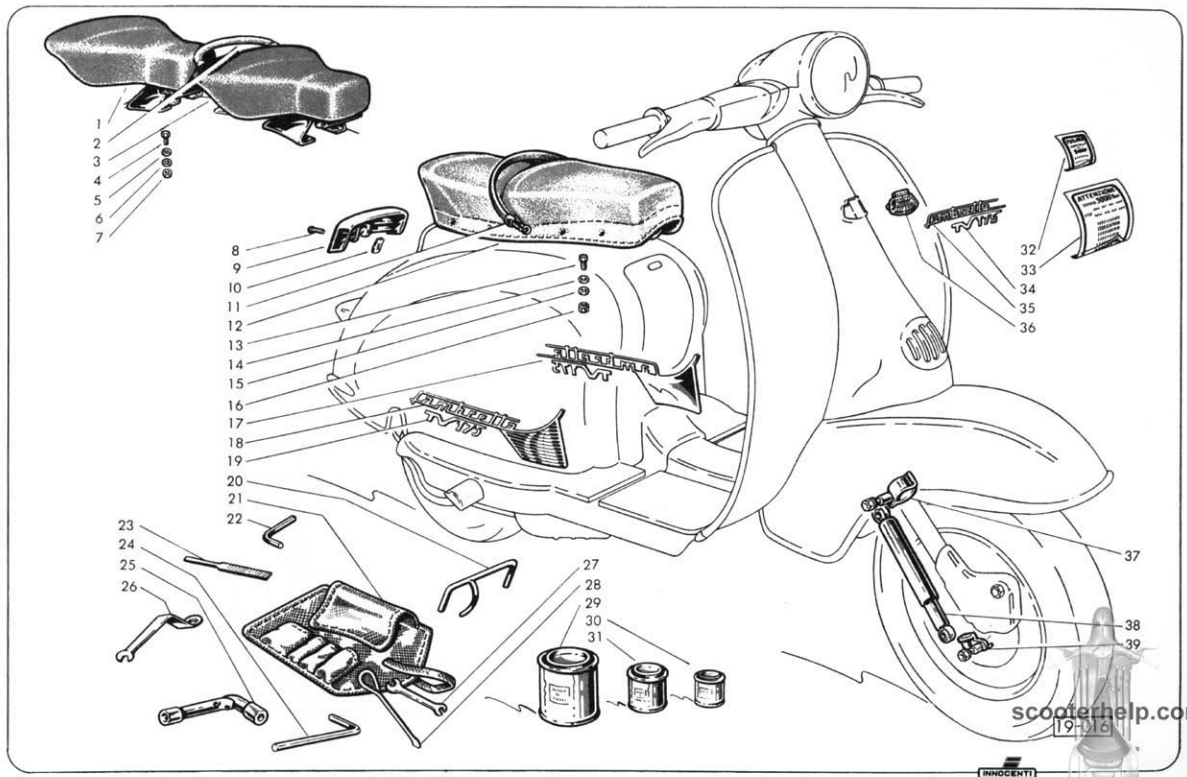


Fig. No.	Part No.	Description	Quantity	Fig. No.	Part No.	Description	Quantity
1	—	(see accessories)	—	19	15055054	Name plate, for panel 175 (cc)	2
2	19055290	Handgrip, with bolts for passenger	1	20	19086240	Lifting stand, for rear wheel	1
3	19055250	Front saddle	1	21	15086230	Tool bag	1
4	70360822	Screw, fixing front end pillion saddle	8	22	15086066	Allen key, for cable trunion	1
5	19055056	Spacing washer, for screws at fig. 4		8	23	15086063	File, for contact points
6	83120008	Spring washer, for screws at fig. 4	8	24	07011296	Allen key	1
7	72030008	Nut, for screws at fig. 4	8	25	15086210	Spanner, for spark plug and wheel nut	1
8	71480418	Screw, fixing grill	2	26	15086059	Spanner, for rear wheel nut	1
9	19055014	Grill	1	27	15086061	Spanner, double ended 8 x 10 mm	1
10	19050098	Elastic nut, for screws at fig. 8	2	28	15086062	Screw driver	1
11	15055170	Handgrip, for passenger	1	29	—	Cancelled	—
12	15055140	Dual seat	1	30	—	Cancelled	—
13	70360822	Screw, fixing dual seat	8	31	—	Cancelled	—
14	19055056	Thickness washer, for screws at fig. 13	8	32	19090012	Transfer, for filter housing instruction	1
15	83120008	Spring washer, for screws at fig. 13		8	33	19090001	Transfer, for running instruction (150 cc)
16	72030008	Nut, for screws at fig. 13	8	33	19190001	Transfer, for running instruction (125 cc)	1
17	19055049	Flash, for left hand panel (150 - 125 cc)	1	33	19290001	Transfer, for running instruction (175 cc)	1
18	15055049	Flash, for left hand panel (175 cc)	1	34	19050200	Model plate, for legshield (150 cc)	1
	19055051	Flash, for right hand panel (150 - 125 cc)	1	34	19150200	Model plate, for legshield (125 cc)	1
	15055051	Flash, for right hand panel (175 cc)	1	34	15050200	Model plate, for legshield (175 cc)	1
				35	15050160	Name plate, for legshield	1
				36	19250071	Name plate, for horn casting	1
				37	19060230	Support, upper, complete, for front shock absorber	2
				38	15060080	Shock absorber, front	2
				39	19060240	Support, L.H. lower, complete, for shock absorber	1
					19060250	Support, R.H. lower, complete, for shock absorber	1





scooterhelp.com
19-16



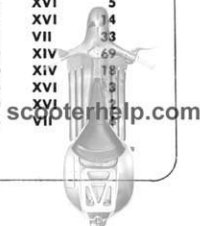
Part No.	Table	No.	Part No.	Table	No.	Part No.	Table	No.	Part No.	Table	No.	Part No.	Table	No.
00412001	V	9	00412208	V	28	00611031	VIII	34	15017006	XV	56	15044028	IX	46
00412002	V	8	00412232	V	16	00611032	VIII	32	15017007	XI	36	15044036	IX	57
00412005	V	46	00412233	V	45	00611033	VIII	35	15017008	XIII	3	15044038	IX	11
00412006	V	25	00412234	V	17	00611038	VIII	36	15017009	XIII	2	15044038	IX	28
00412018	V	26	00412235	V	20	00611039	VIII	37	15017011	XIII	14	15044040	IX	2
00412019	V	23	00412236	V	19	00611040	VIII	38	15017013	XI	14	15044040	IX	44
00412021	V	42	00412248	V	21	00611041	VIII	39	15017014	XIII	15	15044041	IX	45
00412027	V	48	00412249	V	15	00611042	IX	47	15017040	XI	20	15044044	IX	26
00412042	V	15	00412257	V	1	00611043	IX	48	15017070	XI	12	15044044	IX	56
00412044	V	22	00412258	V	49	00611044	IX	35	15021006	III	7	15044070	IX	16
00412049	V	3	00412260	V	19	00611050	VIII	34	15021006	IV	52	15044070	IX	52
00412053	V	39	00412261	V	20	00611051	VIII	34	15022008	XV	6	15044070	IX	67
00412054	V	11	00412263	V	18	00611052	VIII	34	15022008	XV	12	15044100	IX	68
00412054	V	41	00412264	V	28	00611053	VIII	34	15022009	XV	4	15044110	IX	40
00412055	V	40	00412268	V	23	00840012	XIII	17	15022011	XV	5	15044150	IX	49
00412071	V	31	00412269	V	44	00840013	XIII	—	15041024	I	4	15050021	VII	18
00412098	V	45	00412270	V	7	00840014	XIII	9	15044004	IX	20	15050031	VII	16
00412124	V	47	00412272	V	24	00840015	XIII	16	15044005	IX	32	15050046	XIV	99
00412126	V	27	00412274	V	7	00840016	XIII	13	15044005	IX	61	15050047	XIV	96
00412140	V	14	00412278	V	24	00840017	XIII	21	15044006	IX	60	15050049	XIV	100
00412148	V	10	00412286	V	32	00840018	XIII	6	15044007	IX	34	15050052	XIV	40
00412181	V	12	00412293	V	49	00840019	XIII	8	15044008	IX	64	15050052	XIV	54
00412182	V	13	00412294	V	—	00840020	XIII	19	15044011	IX	33	15050052	XIV	60
00412188	V	29	00412295	V	—	00840021	XIII	23	15044011	IX	63	15050057	XIV	52
00412189	V	30	00412296	V	—	00840022	XIII	28	15044014	IX	17	15050058	XIV	83
00412190	V	1	00412297	V	24	00840024	XIII	20	15044014	IX	51	15050059	XIV	82
00412191	V	4	00412298	V	37	00840026	XIII	30	15044014	IX	66	15050060	XIV	101
00412192	V	5	00412299	V	36	00840027	XIII	29	15044015	IX	50	15050061	XIV	53
00412193	V	6	00412300	V	35	00840040	XIII	6	15044017	IX	15	15050062	XIV	90
00412194	V	7	00412301	V	33	00840041	XIII	16	15044018	IX	31	15050063	XIV	89
00412195	V	18	00412302	V	34	00840042	XIII	—	15044019	IX	14	15050064	XIV	38
00412196	V	21	00412303	V	43	07011296	XVI	24	15044022	IX	27	15050065	VII	17
00412200	V	31	00412304	V	38	15010090	I	20	15044022	IX	55	15050066	XIV	77
00412202	V	8	00611013	VIII	33	15012008	II	15	15044023	IX	4	15050066	XIV	105
00412205	V	44	00611015	VIII	65	15015009	V	113	15044023	IX	42	15050160	XVI	35
00412206	V	48	00611018	VIII	68	15015015	V	82	15044024	IX	10	15050200	scooterhelp.com	
00412207	V	49	00611030	VIII	34	15017006	X	25	15044024	IX	29	15050501	VII	38



Part No.	Table	No.	Part No.	Table	No.	Part No.	Table	No.	Part No.	Table	No.	Part No.	Table	No.
15055033	VII	29	15059006	XV	53	15065008	XV	77	15086062	XVI	28	19010130	I	2
15055040	VII	28	15059009	XV	19	15065009	XV	74	15086063	XVI	23	19011003	I	49
15055042	XIV	14	15059012	XV	43	15065020	XV	66	15086066	XVI	22	19011008	I	40
15055043	XIV	15	15059013	XV	58	15070012	V	79	15086210	XVI	25	19011009	V	84
15055044	XIV	12	15059014	XV	59	15070013	V	57	15086230	XVI	21	19011012	I	46
15055045	XIV	13	15059022	XV	57	15070014	V	58	15087002	VIII	64	19011013	I	47
15055046	XIV	17	15060014	VIII	90	15070015	V	78	15088001	VIII	46	19011015	I	50
15055047	XIV	16	15060015	VIII	88	15070019	V	61	15088002	VIII	47	19011016	V	86
15055049	XVI	17	15060016	VIII	77	15070020	V	56	15088003	VIII	45	19011017	V	87
15055051	XVI	18	15060020	VIII	82	15070021	V	55	15088005	VIII	27	19011020	I	48
15055054	XVI	19	15060032	VIII	80	15080002	X	36	15088006	VIII	25	19012006	II	4
15055055	XIV	8	15060039	XIV	119	15080003	X	28	15088010	VIII	26	19012007	II	5
15055057	XIV	1	15060050	VIII	94	15080004	X	26	19010003	I	24	19012008	II	2
15055059	VII	30	15060060	VIII	89	15080008	X	29	19010006	I	8	19012013	III	35
15055061	VII	39	15060070	VIII	93	15080030	X	27	19010007	I	53	19012015	III	42
15055063	XIV	68	15060080	VIII	75	15081021	XI	5	19010008	I	7	19012016	III	41
15055064	XIV	11	15060080	XVI	38	15081024	XI	51	19010008	I	22	19012017	III	32
15055070	XIV	31	15060100	VIII	84	15081029	XI	1	19010009	I	44	19012018	II	19
15055071	VII	1	15061011	VIII	44	15081031	XI	3	19010011	I	10	19012019	II	19
15055090	XIV	69	15061018	VIII	59	15081032	XI	37	19010012	I	45	19012021	II	19
15055140	XVI	12	15061019	VIII	61	15081037	XI	39	19010015	VI	2	19012024	II	17
15055170	XVI	11	15061021	VIII	63	15081270	XI	48	19010016	IV	18	19012025	II	17
15055180	XIV	36	15061024	VII	43	15082020	XI	15	19010019	I	36	19012026	II	17
15055190	XIV	36	15061060	VIII	62	15083003	X	8	19010020	I	27	19012027	II	17
15057005	VII	42	15062011	VIII	15	15083003	X	18	19010022	I	35	19012028	III	33
15057007	VII	41	15062012	VIII	13	15083004	X	2	19010026	I	19	19012029	III	34
15057008	VII	22	15062013	VIII	9	15083006	X	7	19010027	I	34	19012031	II	6
15057009	VII	27	15062014	VIII	50	15086006	XIV	71	19010028	I	43	19012034	II	10
15057010	VII	24	15062015	VIII	6	15086007	XIV	70	19010029	I	23	19012036	II	12
15057012	VII	25	15062017	VIII	53	15086008	XIV	72	19010030	I	37	19012037	II	11
15057020	VII	26	15063003	VIII	4	15086009	XIV	81	19010035	I	42	19012038	II	9
15058005	VII	10	15063004	VIII	8	15086010	XIV	74	19010036	I	41	19012039	II	8
15058007	VII	6	15063005	VIII	3	15086015	XIV	80	19010040	I	38	19012041	II	7
15058008	VII	7	15065004	XV	70	15086016	XIV	79	19010044	I	18	19012090	II	11
15058020	VII	8	15065005	XV	68	15086017	XIV	75	19010050	I	13	19012100	II	11
15059003	XV	60	15065006	XV	15	15086059	XVI	26	19010052	VI	1	19012110	II	18
15059005	XV	51	15065006	XV	69	15086061	XVI	27	19010120	I	26	19012120	II	18



Part No.	Table	No.	Part No.	Table	No.	Part No.	Table	No.	Part No.	Table	No.	Part No.	Table	No.
19012130	II	15	19018003	V	53	19030006	IV	30	19031015	III	5	19050093	XIV	85
19012140	II	1	19018046	V	63	19030007	III	29	19031015	III	9	19050096	XIV	65
19014003	VI	7	19018130	V	51	19030014	IV	9	19031015	IV	51	19050097	XIV	63
19014003	VI	9	19018140	V	50	19030015	IV	14	19031015	IV	54	19050098	XIV	23
19014030	VI	5	19018180	V	67	19030016	IV	12	19031015	IX	5	19050098	XIV	64
19015019	V	69	19020001	III	16	19030017	IV	13	19031016	IV	49	19050098	XVI	10
19015020	V	114	19020005	III	23	19030018	IV	7	19031017	XV	37	19050099	XIV	48
19015021	V	83	19020006	III	15	19030020	IV	15	19032001	XV	25	19050099	XIV	97
19015022	V	81	19020007	III	14	19030021	I	32	19032001	XV	27	19050101	XIV	22
19015023	V	80	19020008	III	17	19030023	IV	23	19032003	XV	14	19050104	XIV	49
19015030	XV	55	19020015	III	28	19030025	I	14	19032005	XV	8	19050104	XIV	61
19015040	V	112	19020016	III	8	19030026	I	1	19032007	XV	7	19050104	XIV	66
19015050	V	70	19020018	III	22	19030027	IV	17	19032008	XV	22	19050105	XIV	84
19016018	V	99	19020021	III	21	19030028	IV	19	19032008	XV	26	19050106	XIV	86
19016019	V	89	19020022	III	36	19030031	IV	16	19032016	XV	39	19050107	XIV	92
19016021	V	104	19020023	III	24	19030032	IV	48	19032024	XV	41	19050108	XIV	59
19016028	V	98	19020025	III	25	19030033	IV	25	19032050	XV	40	19050110	XIV	107
19016029	V	97	19020040	III	19	19030034	IV	4	19032060	XV	29	19050200	XVI	34
19016033	V	93	19020050	III	20	19030035	I	33	19041022	III	38	19050250	VII	36
19016035	V	100	19020070	III	30	19030036	IV	46	19041100	III	39	19050270	XIV	103
19016036	V	108	19020080	III	26	19030038	I	17	19041110	III	40	19050280	XIV	102
19016037	V	109	19020090	III	—	19030039	I	16	19041130	III	31	19050290	XIV	20
19016039	V	110	19021001	III	13	19030040	I	15	19044002	IX	41	19050300	XIV	21
19016042	V	92	19021002	III	11	19030041	IV	21	19044002	IX	43	19055014	XVI	9
19016046	V	89	19021004	III	6	19030042	IV	22	19044004	IX	20	19055048	XIV	19
19016120	V	101	19021006	III	2	19030043	IV	39	19044034	IX	70	19055049	XVI	17
19016130	V	94	19021007	III	3	19030044	IV	24	19044037	IX	58	19055050	VII	35
19016150	V	106	19022014	XV	23	19030045	III	27	19044050	IX	30	19055051	XVI	18
19016160	V	102	19022015	XV	34	19030050	IV	47	19044060	IX	71	19055054	VII	34
19016200	V	94	19022016	XV	73	19031001	IV	53	19044130	IX	54	19055056	XVI	5
19017002	XIII	31	19022030	XV	28	19031002	IV	38	19044140	IX	13	19055056	XVI	14
19017014	XIII	7	19022040	XV	9	19031003	XV	13	19045003	IX	3	19055060	VII	33
19017015	XIII	32	19030001	IV	32	19031004	XV	33	19045004	IX	6	19055090	XIV	69
19017016	XI	13	19030002	IV	35	19031006	XV	32	19045005	IX	24	19055100	XIV	18
19017017	XI	34	19030003	IV	27	19031008	IV	34	19045060	IX	37	19055250	XVI	3
19017018	XI	35	19030004	IV	28	19031012	XV	11	19045090	IX	1	19055290	XVI	3
19018001	V	59	19030005	IV	29	19031014	IV	36	19050054	XIV	104	19058015	VII	3



Part No.	Table	No.	Part No.	Table	No.	Part No.	Table	No.	Part No.	Table	No.	Part No.	Table	No.
19058016	VII	7	19060250	XVI	39	19081043	XI	2	19112019	II	19	19212026	II	17
19058017	VII	11	19061025	VIII	60	19081045	XI	45	19112021	II	19	19212027	II	17
19058018	VII	9	19061100	VIII	52	19081240	XI	48	19112024	II	17	19212090	II	18
19058019	VII	10	19061110	VIII	58	19081310	XI	23	19112025	II	17	19212100	II	18
19058021	VII	11	19062002	VIII	18	19081320	XI	22	19112026	II	17	19212110	II	18
19058022	VII	9	19062003	VIII	21	19081360	XI	47	19112027	II	17	19212120	II	18
19058060	VII	5	19062004	VIII	20	19081370	XI	29	19112090	II	18	19212140	II	1
19058090	VII	8	19062006	VIII	51	19081380	XI	31	19112100	II	18	19214020	VI	10
19058100	VII	2	19062016	VIII	5	19081390	XI	44	19112110	II	18	19218090	V	60
19058110	VII	5	19062019	VIII	29	19081400	X	28	19112120	II	18	19220015	III	28
19058120	VII	2	19062021	VIII	17	19081410	XI	21	19130013	IV	32	19222012	VIII	14
19059001	XV	2	19062022	VIII	1	19081420	XI	6	19130014	IV	27	19230001	IV	32
19059003	XV	3	19062024	VIII	19	19082050	X	19	19130015	IV	28	19230003	IV	27
19059003	XV	67	19062024	VIII	55	19082130	X	24	19130016	IV	29	19230004	IV	28
19059005	XV	17	19062030	VIII	2	19083001	XIV	5	19130017	IV	30	19230005	IV	29
19059006	XV	38	19062040	VIII	54	19083005	X	1	19150101	XIV	25	19230006	IV	30
19059010	XV	54	19063001	VIII	23	19083014	X	16	19150102	XIV	26	19250069	XIV	110
19059011	XV	20	19063006	VIII	16	19083016	X	14	19150105	XIV	24	19250071	XVI	36
19059015	XV	16	19065060	XV	72	19083017	X	13	19150200	XVI	34	19250083	XIV	120
19059016	XV	18	19065070	XV	71	19083018	X	17	19161025	VIII	40	19250086	XIV	114
19059017	XV	52	19070010	V	77	19083019	XIV	6	19161026	VIII	41	19250090	XIV	107
19059019	IX	8	19070040	V	54	19083021	XIV	7	19181033	XI	30	19255100	XIV	18
19059021	IX	7	19071004	V	75	19083070	X	—	19181300	XI	31	19260210	VIII	81
19059030	XV	24	19071007	V	71	19083090	X	3	19181360	XI	47	19261005	VIII	22
19059050	XV	1	19071008	V	68	19083110	X	—	19190001	XVI	33	19261008	VIII	56
19060017	VIII	87	19071009	V	73	19083120	X	12	19210013	I	39	19261009	VIII	42
19060021	VIII	71	19071010	V	76	19083130	X	15	19210014	I	39	19261020	VIII	52
19060023	VIII	70	19071011	V	74	19086018	XIV	76	19211003	I	49	19261022	VII	32
19060028	VIII	83	19071020	V	72	19086240	XVI	20	19211015	I	50	19261030	VIII	43
19060030	VIII	69	19071030	V	72	19090001	XVI	33	19211016	V	86	19263001	VIII	23
19060050	VIII	94	19071040	V	76	19090011	XV	63	19211017	V	87	19280005	X	33
19060060	VIII	89	19080011	X	33	19090012	XVI	32	19211020	I	48	19280006	X	32
19060090	VIII	85	19080012	X	34	19090018	XV	42	19212018	II	19	19280007	X	30
19060160	XIV	116	19080014	X	29	19111003	I	49	19212019	II	19	19280008	X	34
19060210	VIII	81	19080080	X	27	19111015	I	50	19212021	II	19	19280010	X	—
19060230	XVI	37	19081030	XI	4	19111020	I	48	19212024	II	17	19280013	X	20
19060240	XVI	39	19081033	XI	30	19112018	II	19	19212025	II	17	19280015	X	15



Part No.	Page	Fig. No.	Part No.	Page	Fig. No.	Part No.	Page	Fig. No.	Part No.	Page	Fig. No.	Part No.	Table	No.
19280016	X	38	70360814	VI	12	71480412	X	37	72060008	V	65	73260010	III	1
19280020	X	35	70360822	XVI	4	71480418	XVI	8	72070010	XV	45	73260010	III	12
19280060	X	—	70360822	XVI	13	71480612	VIII	24	72070012	VIII	95	73260010	IX	9
19280070	X	33	70360825	V	66	71670812	VII	31	72070012	IX	19	73260010	IX	18
19281026	XI	45	70360825	VII	19	72000006	I	29	72070012	IX	65	73260010	XV	10
19281220	XI	38	70450620	IV	37	72000006	I	30	72070016	VII	4	73260012	III	4
19281230	XI	53	70850307	VIII	67	72000006	V	64	72070016	VII	12	73260012	III	10
19281260	XI	44	70850412	XI	32	72000006	VI	3	73010032	X	5	73260012	IV	50
19281310	XI	23	70850512	XV	62	72000007	IV	3	73010043	VIII	12	73260012	IX	25
19283050	X	6	70850520	XI	41	72000008	I	52	73010053	XIV	30	73260012	IX	53
19290001	XVI	33	70910416	XIV	87	72030004	XI	24	73010053	XIV	32	73260012	XV	48
40770228	VII	44	70910514	XIV	33	72030004	XI	42	73010053	XIV	34	73260020	IV	1
41016070	V	107	70910514	XIV	35	72030004	XIII	5	73010053	XIV	39	73260020	IV	20
41031007	IV	31	71013510	XI	49	72030004	XIV	50	73010053	XIV	41	74400228	V	74
70300418	XIII	1	71060616	V	88	72030004	XIV	62	73010053	XIV	55	74401522	XV	47
70300520	XIV	95	71060616	XIV	113	72030004	XIV	67	73010053	XIV	93	74850465	II	14
70300622	XIII	25	71160305	X	4	72030005	VII	23	73010053	XIV	122	75710308	VII	37
70300625	VIII	48	71160420	V	103	72030005	X	11	73010064	VIII	49	75780414	III	18
70300738	IV	6	71160420	V	105	72030005	X	22	73010064	XIII	12	78920516	IV	33
70330625	VIII	74	71180425	XIII	24	72030005	XI	7	73010064	XIV	111	83000006	XI	9
70330645	XIV	115	71300520	XIV	51	72030005	XIV	2	73020043	XI	26	83010006	V	91
70360410	XI	27	71300522	XIV	4	72030005	XIV	28	73020053	X	9	83010006	XV	46
70360412	VIII	10	71300528	XIV	4	72030005	XIV	37	73020053	X	20	83010012	XV	50
70360510	XI	16	71300616	II	3	72030005	XIV	43	73030064	IV	42	83050616	V	90
70360512	VII	20	71420409	XIV	45	72030005	XIV	57	73170043	V	2	83100004	XI	33
70360512	XV	75	71420410	XIV	91	72030005	XIV	73	73170043	XI	25	83100004	XI	43
70360516	XIV	109	71420416	XIV	46	72030005	XV	65	73170043	XIII	22	83100005	VIII	7
70360516	XIV	124	71420425	XIV	44	72030006	V	95	73170053	VI	6	83100005	X	10
70360608	VIII	91	71420514	XIV	106	72030006	XI	11	73170053	VI	8	83100005	X	21
70360608	IX	22	71420516	XIV	78	72030006	XI	18	73170074	I	11	83100006	I	28
70360614	III	37	71420614	XIV	9	72030006	XIV	118	73250016	II	16	83100006	I	31
70360614	XIII	10	71450322	XI	52	72030008	VII	14	73250018	IV	8	83100006	IV	10
70360614	XV	30	71450325	XI	46	72030008	XVI	7	73250032	IX	62	83100006	IV	43
70360614	XV	35	71450422	XIV	27	72030008	XVI	16	73250042	IV	26	83100006	IV	45
70360616	IV	11	71450425	XIV	58	72060006	VIII	72	73250052	II	13	83100006	V	96
70360616	V	62	71450548	VIII	31	72060006	VIII	78	73260005	IV	44	83100006	VIII	57
70360618	IV	40	71480410	XIV	121	72060007	I	12	73260006	IV	41	83100006	VIII	57



Part No.	Table	No.	Part No.	Table	No.	Part No.	Table	No.	Part No.	Table	No.	Part No.	Table	No.
83100006	IX	23	83100010	IV	5	83120005	XIV	29	83120008	VII	15	86011622	I	21
83100006	XI	19	83100010	XV	44	83120005	XIV	38	83120008	XVI	6	86500300	XV	61
83100006	XIII	26	83100016	I	25	83120005	XIV	42	83120008	XVI	15	87020006	I	9
83100006	XIV	47	83100016	VII	3	83120005	XIV	56	83120010	VIII	28	87020006	VIII	76
83100006	XIV	98	83100016	VII	13	83120005	XIV	94	83120012	VIII	96	87020006	VIII	86
83100006	XV	31	83100016	IX	38	83120005	XIV	108	83120016	V	111	87020006	IX	12
83100006	XV	36	83110004	VIII	11	83120005	XIV	123	83120035	XI	50	87020006	IX	21
83100007	IV	2	83110004	XIII	18	83120005	XV	76	83130005	VIII	30	87020006	XV	49
83100007	V	52	83110005	XI	8	83120006	VIII	73	83130006	XIV	10	87020008	IX	59
83100007	V	85	83110005	XI	40	83120006	VIII	79	83160032	XIII	27	87300005	X	31
83100007	XV	21	83110005	XV	64	83120006	VIII	92	85701035	XV	78	87310001	XI	17
83100008	I	51	83120003	VIII	66	83120006	XI	10	85801602	I	5	87310005	XI	17
83100008	VI	11	83120004	XIII	4	83120006	XIII	11	85801602	IX	36	87350070	VII	40
83100008	IX	39	83120005	VII	21	83120006	XIV	112	86011622	I	3	87350070	X	23
83100008	IX	69	83120005	XIV	3	83120006	XIV	117	86011622	I	6			



INNOCENTI

SOC. GENERALE PER L'INDUSTRIA METALLURGICA E MECCANICA

MILANO

NEW YORK

PARIGI

ROMA

LONDRA

CARACAS

Lambretta

LAMBRETTA CONCESSIONAIRES LTD
TROJAN WAY - PURLEY WAY - CROYDON - SURREY
ENGLAND

scooterhelp.com



CENTRO RICAMBI

PUBBL. N. 2/ING. - 1/1980

PRINTED IN ITALY - GRAFICHE MARIANO S.P.A. - MILANO