

Lambretta 150 li

NORGES SCOOTER-FORBUND

Spare parts catalogue



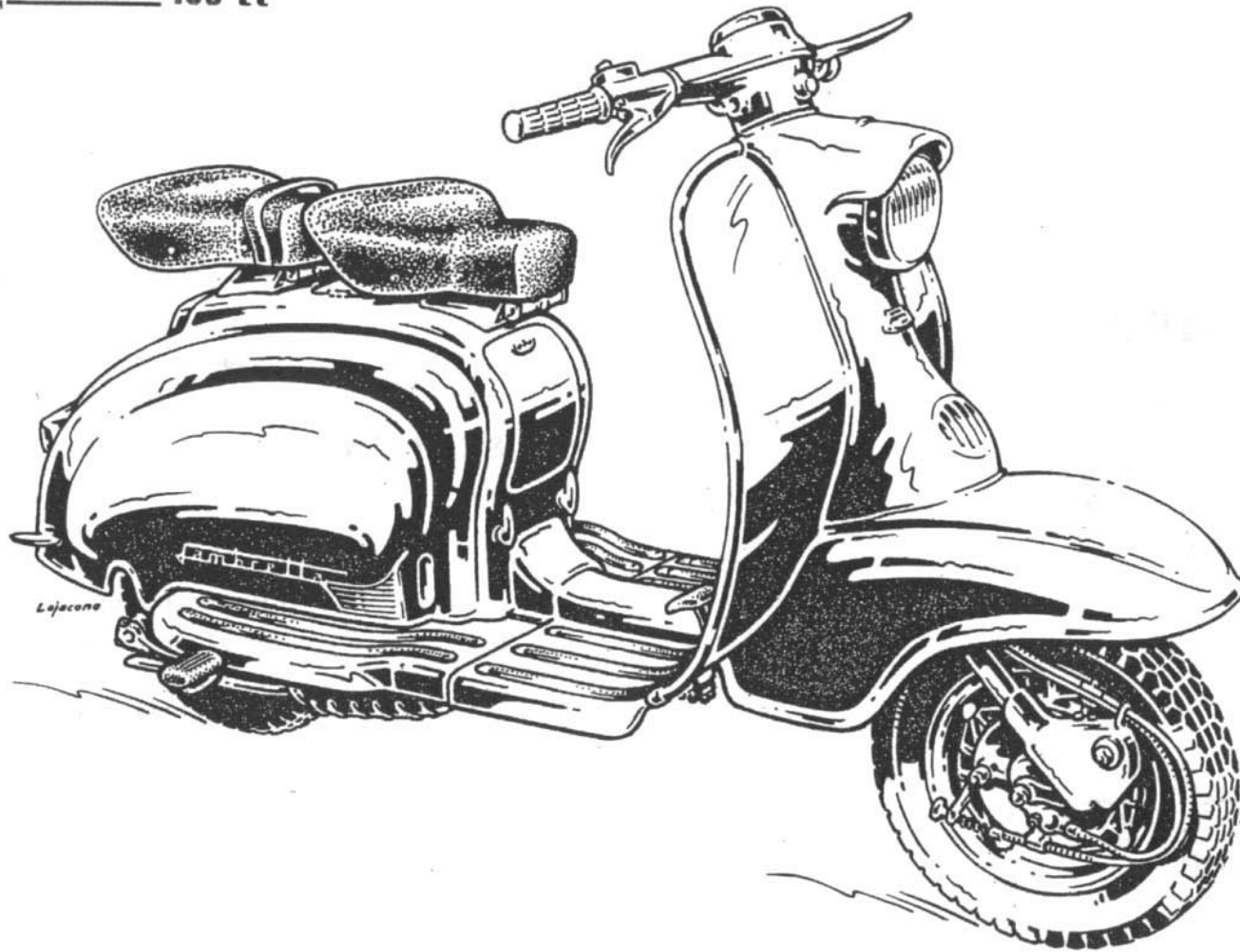
INDEX OF SECTIONS

Crankshaft and piston	II
Clutch	III
Gear box and kick start	IV
Fuel tank, carburettor and exhaust silencer	V
Cooling	VI
Frame and suspension	VII
Handlebar, fork and speedometer	VIII
Wheels and brakes	IX
Electrical equipment lighting	X
Electrical equipment, flywheel magneto Ducati and battery components	XI
Flywheel magneto Filso and Marelli	XII
Panel and frame work components	XIII
Cables and controls	XIV
Accessories	XV

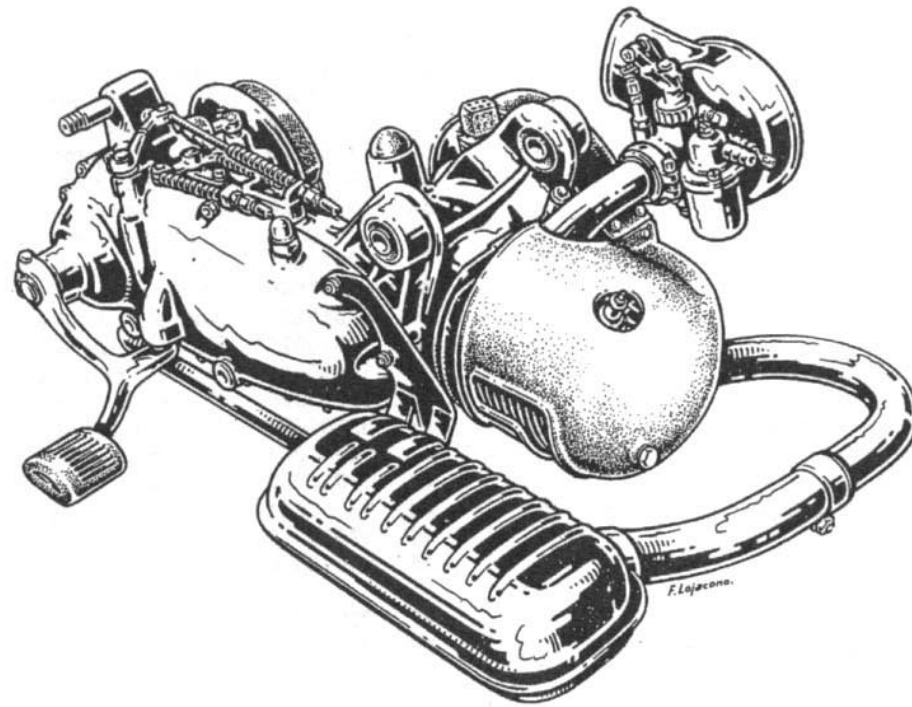
INDEX



Lambretta 150 li



ENGINE - ASSEMBLY

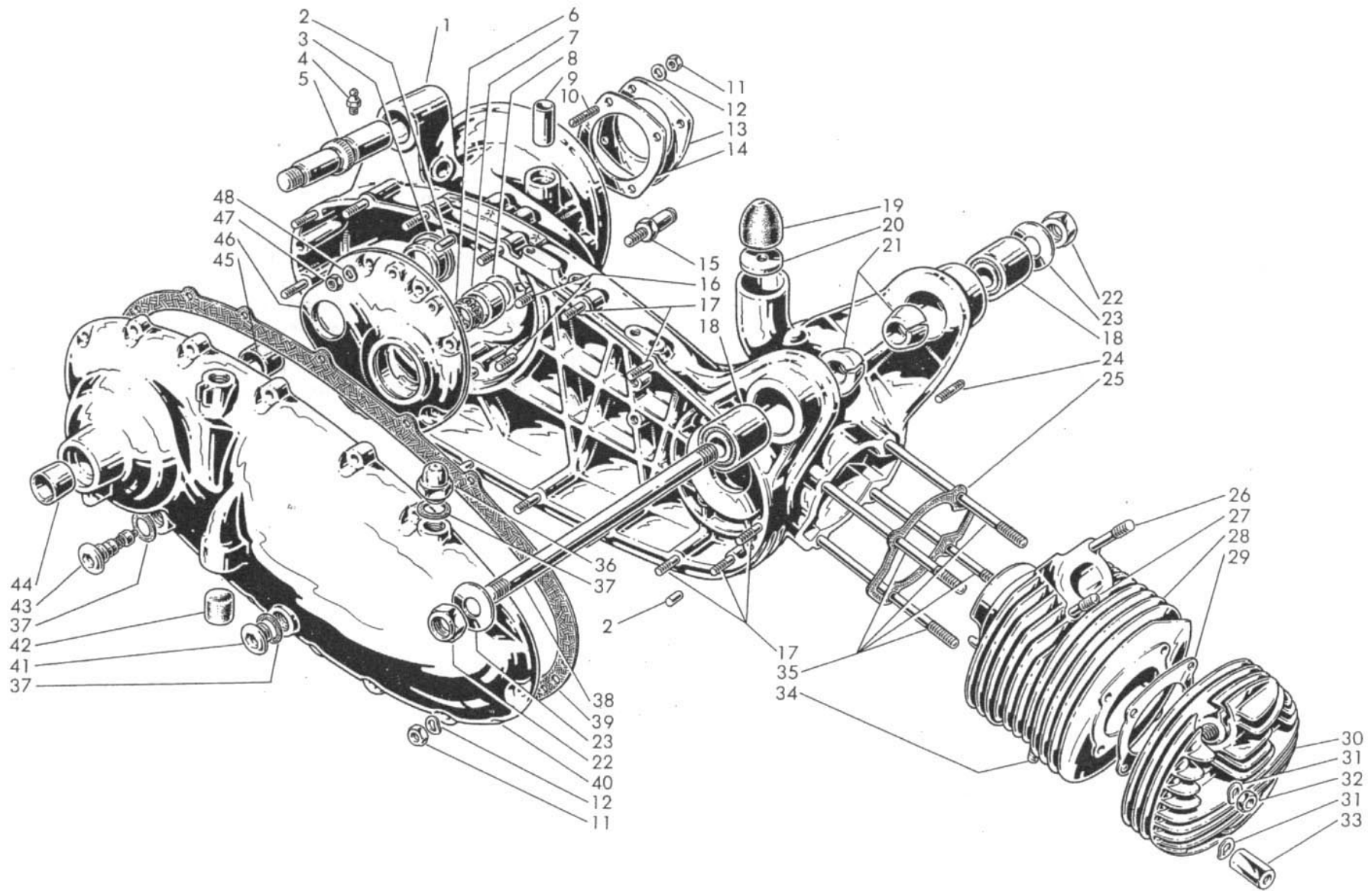


Lambretta 150 li

Fig. No.	Part. No.	Description	Quantity
1	19010040	Crankcase, complete with figs. 5-7-8-9-10-16-17-18-24-35-46	1
2	19010008	Reference pin, for flange and crankcase cover	4
3	19010006	Bush, layshaft needle bearing	1
4	87020006	Greaser, for rear pin shaft	1
5	19010011	Shaft, rear suspension	1
6	19030040	Needle cage, for main shaft	1
7	19030039	Bush, main shaft needle cage	1
8	19030038	Shim, needle cage	1
9	19010044	Bush, gear box control shaft	1
10	19010026	Stud, fixing flange	4
11	72000006	Nut, for studs at figs. 10-17	20
12	83100006	Spring washer, for studs at figs. 10-17	20
13	19030021	Flange, locking layshaft bearing	1
14	19030035	Washer, for flange	1
15	19010027	Pin, for rear brake shoe	2
16	19010022	Stud, fixing gear box flange	6
17	19010019	Stud, fixing cover to crankcase	16
18	19010030	Silent-block, for engine oscillation	2
19	19010036	Rebaund buffer, crankcase	1
20	19010035	Washer, for rebaund buffer	1
21	19010028	Cone, for locking engine oscillation spindle	2
22	19010120	Nut, for spindle	2
23	83100016	Spring washer, for spindle	2
24	19010009	Stud, for magneto flange	3
25	19010012	Gasket, cylinder base	1
26	19011006	Stud, long for fixing manifold (up to machine 703.600)	1
	19011012	Stud, long, for fixing manifold (from machine 703.601)	1

No. Fig.	Part. No.	Description	Quantity
27	19011007	Stud, short, for fixing manifold (up to machine 703.600)	1
	19011013	Stud, short, for fixing manifold (from machine 703.601)	1
28	19011010	Cylinder, complete with figs. 26-27-34	1
29	19011003	Gasket, cylinder head	1
30	19011002	Head, cylinder	1
31	83100008	Spring washer, cylinder studs	4
32	72000008	Nut, for cylinder head	3
33	19010007	Distance piece, for engine cowl	1
34	19011008	Stud, fixing exhaust tube	2
35	19010013	Stud, cylinder head (standard)	4
	19010014	Stud, cylinder head (oversize)	—
36	15010090	Breather	1
37	86011622	Gasket, oil lever drain plug and breather	3
38	19010029	Spindle, for engine oscillation	1
39	19010003	Gasket, crankcase cover	1
40	19010020	Cover, for crankcase complete with figs. 44-45	1
41	85801602	Plug, oil level	1
42	15041024	Stop buffer, k/start pedal	1
43	19010130	Magnetic plug	1
44	19030026	Bush, outer, for k/start shaft	1
45	19030025	Bush, inner, for k/start shaft	1
46	19010050	Support flange, layshaft, with bush at fig. 3 (it is not supplied loose)	1
47	72060007	Nut, for studs at fig. 16	6
48	83100007	Spring washer, for studs at fig. 16	6



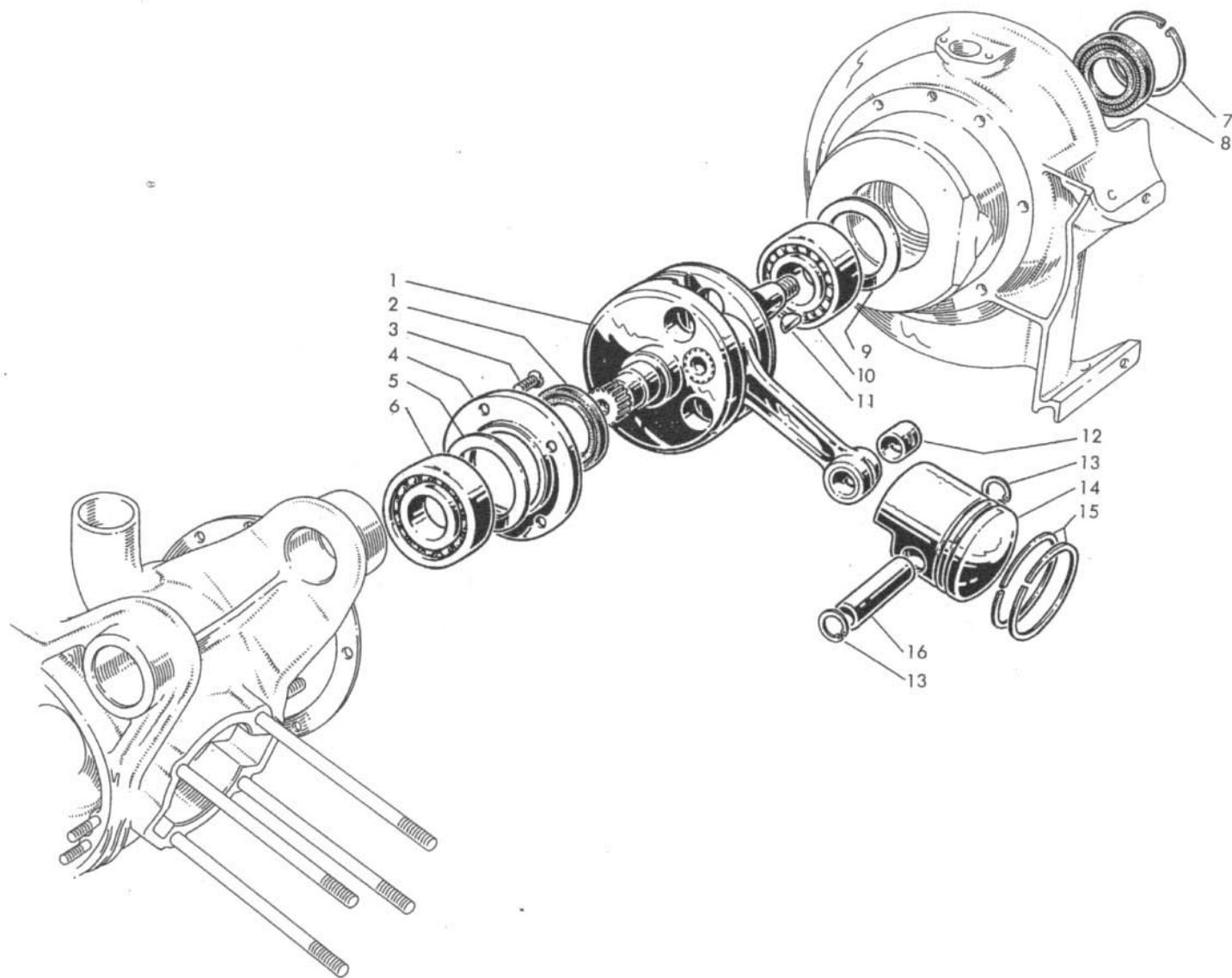


Lambretta 150 li

Fig. No.	Part. No.	Description	Quantity
1	19012010	Crankshaft, complete with small end bush at fig. 12	1
2	19012008	Oil seal, drive side (33 x 50 x 6)	1
3	71300616	Screw, fixing flange locking bearing	4
4	19012006	Flange, locking bearing	1
5	19012007	Thrust washer, drive side bearing	1
6	19012031	Ball bearing, drive side	1
7	73250046	Circlip, bearing and oil seal	1
8	19012009	Oil seal, flywheel side (25 x 46 x 7)	1
9	19012011	Thrust washer, flywheel side roller bearing	1
10	19012033	Roller bearing, main flywheel side	1
11	74850465	Key, woodruff flywheel side	1
12	15012005	Bush, small end	1

Fig. No.	Part. No.	Description	Quantity
13	73250016	Circlip, for gudgeon pin	2
14	19012050	Piston, standard Ø 57	1
	19012060	Piston, oversize Ø 57,2	—
	19012070	Piston, oversize Ø 57,4	—
15	19012080	Piston, oversize Ø 57,6	—
	19012024	Piston ring, standard Ø 57	2
	19012025	Piston ring, oversize Ø 57,2	—
16	19012026	Piston ring, oversize Ø 57,4	—
	19012027	Piston ring, oversize Ø 57,6	—
	11110346	Gudgeon pin, standard Ø 16	1
16	11110347	Gudgeon pin, oversize Ø 16,1	—
	11110348	Gudgeon pin, oversize Ø 16,2	—

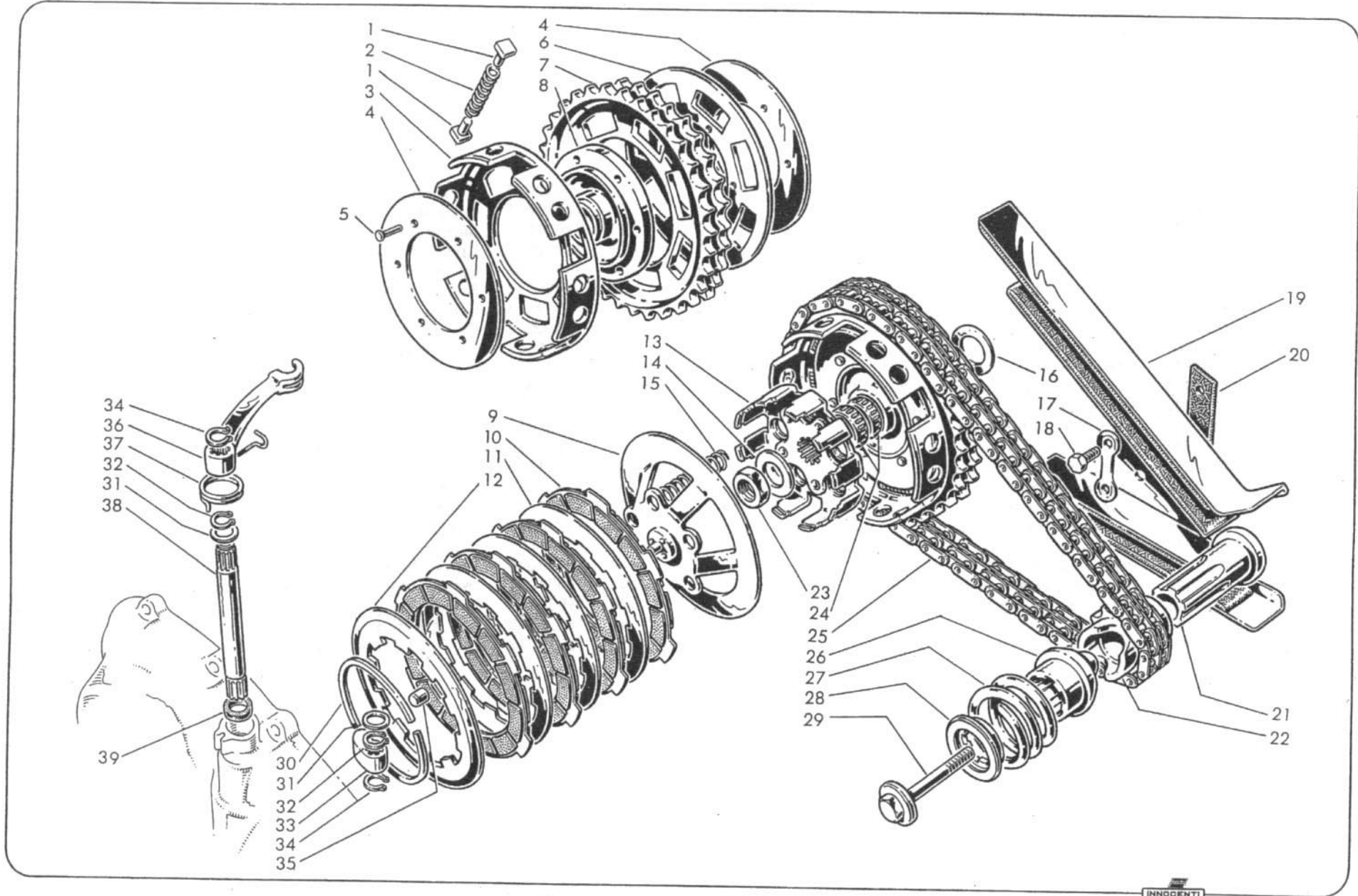




Lambretta 150 li

Fig. No.	Part. No.	Description	Quantity
—	19020090	Torque damper, with figs. 1-2-3-4-5-6-7-8	—
1	19020006	End cap, for spring	14
2	19020007	Spring, for torque damper	7
3	19020001	Housing, clutch bell	1
4	19020008	Driven disc, for torque damper	2
5	75400414	Rivet, for fixing torque damper discs	6
6	19020005	Disc, holding sprocket	1
7	19020023	Sprocket	1
8	19020025	Hub, for torque damper	1
9	19020040	Flange, retaining springs	1
10	19020050	Driving disc, cork lined	4
11	19020021	Driven disc, intermediate, for clutch	3
12	19020018	Driven disc, external, for clutch	1
13	19020080	Clutch bell, internal, with hub	1
14	83100014	Spring washer, for nut at fig. 23	1
15	19020015	Spring, for clutch disc	5
16	19020022	Shim	1
17	19041022	Thrust plate, for screws fixing chain guide	1
18	70360614	Screw, fixing chain guide	2
19	19041060	Chain guide	1

Fig. No.	Part. No.	Description	Quantity
20	19041021	Gasket, for chain guide	1
21	19012016	Sleeve	1
22	19012015	Sprocket, for chain	1
23	19030007	Nut, for locking main gear group	1
24	19020070	Bearing needle, for clutch bell	2
25	19041090	Chain, transmission	1
26	19012017	Sliding dog	1
27	19012028	Spring	1
28	19012029	Washer, for spring	1
29	19012013	Screw, locking sleeve damper on crankshaft	1
30	19020016	Circlip ring, for clutch bell pressure disc	1
31	19031015	Shim, for clutch shaft	2
32	73260012	Circlip, for clutch lever	2
33	19021002	Lever, internal, clutch control	1
34	73260010	Circlip, for clutch lever control shaft	2
35	19021001	Push rod, clutch control	1
36	19021006	Lever, external clutch control	1
37	19021007	Return spring, for clutch external lever	1
38	19021004	Shaft, for clutch lever	1
39	19031013	Shim, lower, for clutch lever shaft	1



INNOCENTI



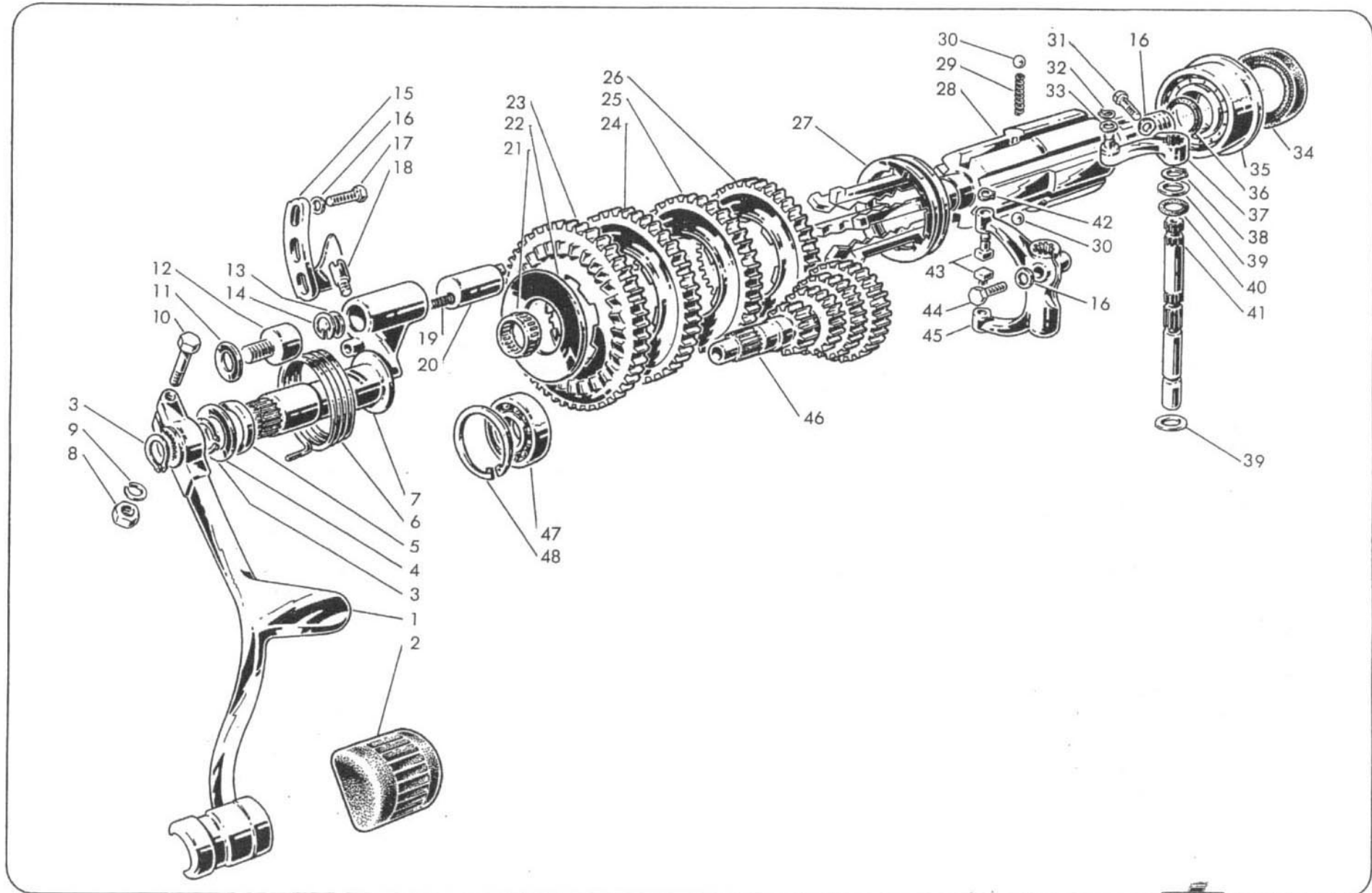
Lambretta 150 Li

Fig. No.	Part. No.	Description	Quantity	Fig. No.	Part. No.	Description	Quantity
1	19030029	Pedal, kick start	1	25	19030005	Layshaft, 3rd gear	1
2	19030037	Rubber protection, k/start pedal	1	26	19030006	Layshaft, 4th gear	1
3	73260020	Circlip, kick start pedal	2	27	19031007	Sleeve, with sliding dogs	1
4	19030028	Shim	1	28	19030002	Layshaft	1
5	19010016	Oil seal (22 x 32 x 5,5)	1	29	19031008	Spring, for balls	1
6	19030027	Return spring, for pedal	1	30	78920516	Ball, for gear selector	2
7	19030031	Shaft, kick start	1	31	70360618	Screw, for external lever clamp	1
8	72000007	Nut, for screw at fig. 10	1	32	73260006	Circlip, for gear control lever	1
9	83100007	Spring washer, for screw at fig. 10	1	33	73010064	Plain washer	1
10	70300738	Screw, fixing k/start pedal	1	34	19030036	Oil seal (32 x 45x 6) for special bearing	1
11	83100010	Spring washer, for screw at fig. 12	1	35	19030019	Special bearing, for layshaft	1
12	19030034	Screw, stopping k/start pedal	1	36	19030032	Seal ring, on layshaft	1
13	19030018	Disc, for k/start shaft piston	1	37	19031016	Lever, external, gear shift control	1
14	73250018	Circlip, for disc	1	38	73260012	Circlip, for gear shift shaft	1
15	19030014	Cam, for k/start piston	1	39	19031015	Thickness washer, for gear shift shaft	2
16	83100006	Spring washer, for screw at fig. 17-31-44	5	40	19031013	Gasket, for gear shift shaft	1
17	70360616	Screw, fixing cam	3	41	19031001	Shaft, gear shift	1
18	19030016	Reference pin, for cam	1	42	73260005	Circlip, for pins	2
19	19030017	Spring, for piston	1	43	19031014	Pin, for internal gear change lever	2
20	19030015	Piston, for k/start shaft	1	44	70450620	Screw, locking gear change lever	1
21	19030020	Bearing needle, for layshaft	1	45	19031002	Lever, internal, gear change control	1
22	19030023	Shim, for layshaft	1	46	19030001	Main gear group	1
23	19030003	Layshaft, 1st gear	1	47	14030008	Ball bearing, for main gear group	1
24	19030004	Layshaft, 2nd gear	1	48	73250042	Circlip, for main gear bearing	1



GEAR BOX AND KICK START

Section IV

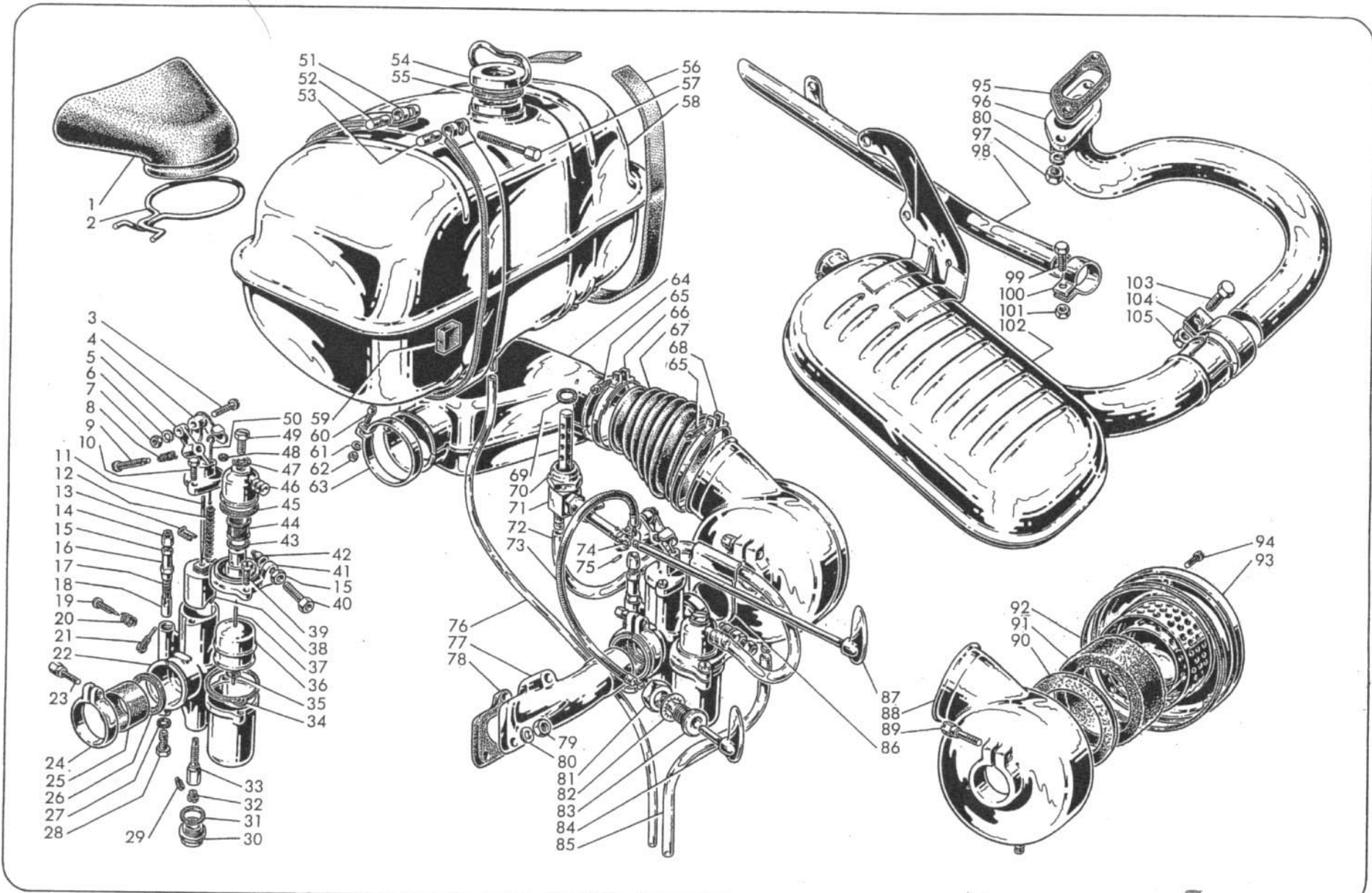


Lambretta 150 Li

Fig. No.	Part. No.	Description	Quantity	Fig. No.	Part. No.	Description	Quantity
1	15050033	Air intake, carburettor	1	35	00412124 1452	Retaining ring, for float needle	1
2	15050034	Clip spring, for intake	1	36	00412098 2390	Float	1
—	00412259 4413	Carburettor, Dell'Orto MA 19 BS 5 (without air filter)	1	37	00412027 1607	Needle	1
3	00412188 4072	Pin, fulcrum lever	1	38	00412262 4418	Air slide 65	1
4	00412189 4176	Fulcrum lever	1	39	00412021 1491	Screw, fixing float chamber cover	2
5	00412257 4410	Cover, carburettor	1	40	00412055 1575	Adjuster, throttle cable	1
6	00412050 1581	Spring washer, for pin at fig. 3	1	41	00412204 4081	Cover, float chamber	1
7	00412049 1973	Nut, for locking fulcrum pin	1	42	00412053 2439	Dust protector	1
8	00412191 2034	Spring, slow running adjustment	1	43	00412201 4054	Gasket, for filter	1
9	00412192 3997	Screw, slow running adjustment	1	44	00412008 1419	Filter	1
10	00412193 3978	Screw, for cover at fig. 5	2	45	00412203 4055	Gasket, for filter cover	1
11	00412271 2265	Needle main jet D 18	1	46	00412199 4056	Filter cover	1
12	00412002 1409	Spring, air slide	1	47	00412198 4052	Gasket, for filter cover screw at fig. 49	1
13	00412001 1407	Retaining, main jet needle	1	48	00412038 2383	Gasket, for air slide operating rod	1
14	00412148 1104	Adjuster, for choke control cable	1	49	00412197 4053	Screw, fixing filter cover	1
15	00412054 1576	Counternut, choke control cable adjuster	2	50	00412071 2646	Operating rod, for air slide	1
16	00412181 3128	Nut, for choke control	1	51	15070020	Strap, supporting tank with felt at fig. 56	2
17	00412182 3133	Spring, for choke control valve	1	52	15070013	Threaded trunnion, for tank strap	2
18	00412140 3238	Valve, with gasket for choke control	1	53	15070014	Bored trunnion, for tank strap	2
19	00412249 4274	Screw, pilot jet adjustment	1	54	15070040	Filter cap, fuel tank	1
20	00412232 1404	Screw, pilot jet adjustment screw	1	55	15070021	Gasket, filler cap	1
21	00412263 4419	Screw guide, for slow running adjustment	1	56	15070012	Felt, for supporting strap	2
22	00412258 4411	Carburettor body	1	57	15070015	Bolt, locking tank strap	2
23	00412234 3265	Screw, for carburettor securing ring	1	58	19070010	Fuel tank	1
24	00412248 1723	Ring, securing carburettor	1	59	15070019	Pad, for tank fixing strap	4
25	00412261 4416	Insulating reduction	1	60	70360516	Screw, manifold fixing clip	1
26	00412260 4415	Distance washer	1	61	83100005	Spring washer, for screw at fig. 60	1
27	00412126 2141	Gasket, starter jet	1	62	72030005	Nut, for screw at fig. 60	1
28	00412264 2119	Starter jet 55	1	63	15016005	Clip, fixing manifold	1
29	00412019 1488	Pilot jet 40	1	64	19016060	Inlet manifold	1
30	00412018 1487	Plug, main jet	1	65	70910420	Screw, for clips at figs. 66-68	2
31	00412006 1415	Gasket, main jet base plug	1	66	19016080	Clip, fixing manifold to filter hose	1
32	00412265 1486	Main jet 95	1	67	15016013	Filter hose	1
33	00412044 2058	Atomizer 260 B	1	68	19016100	Clip, fixing filter hose	1
34	00412005 1414	Gasket, float chamber cover	1	69	19071008	Gasket, petrol tap	1
				70	19071007	Nut, for petrol tap	1
				71	19071020	Petrol tap, with figs. 70-74-75-87	1



FUEL TANK, CARBURETTOR AND EXHAUST SILENCER



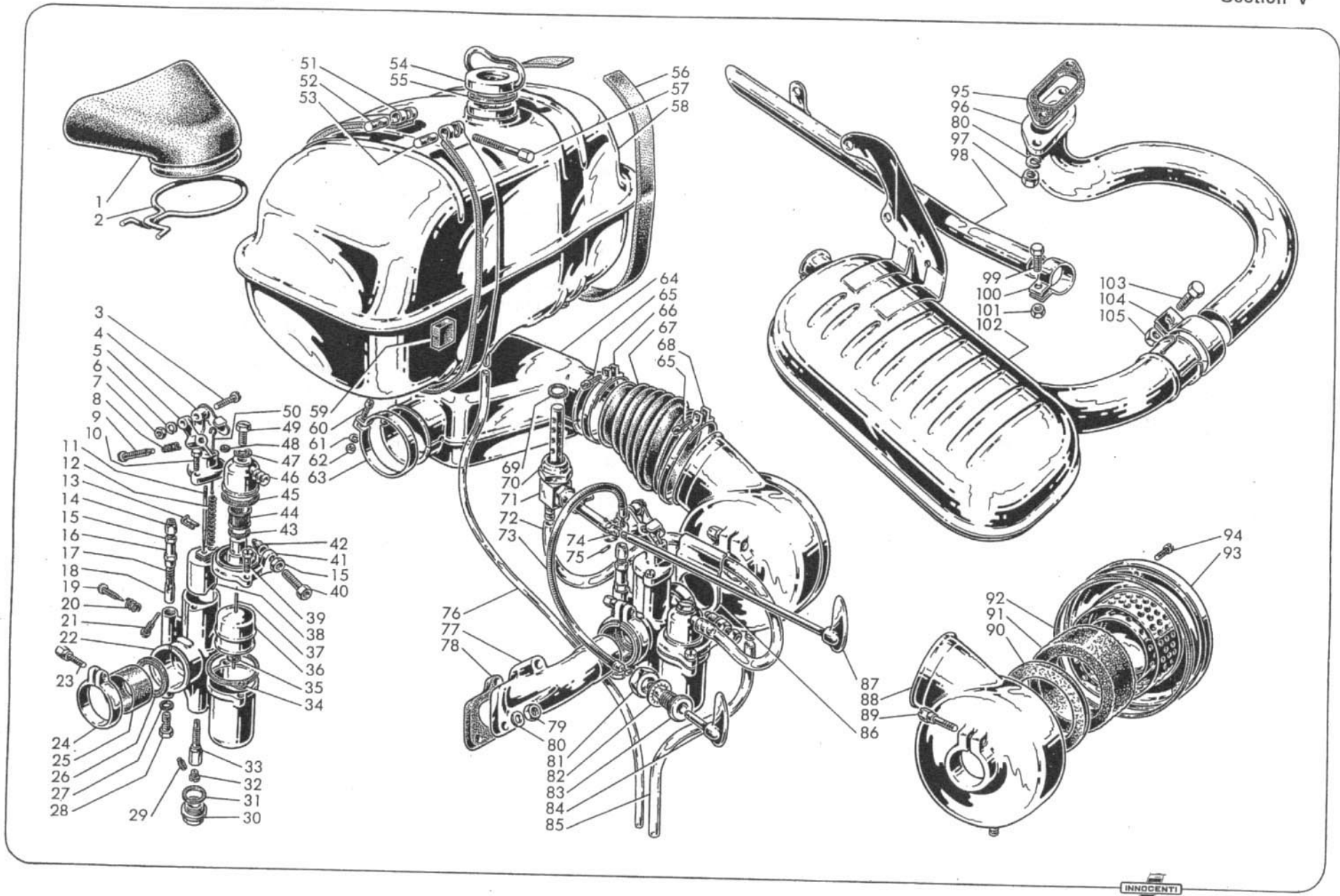
Lambretta 150 li

Fig. No.	Part. No.	Description	Quantit	Fig. No.	Part. No.	Description	Quantity
72	15071004	Petrol pipe	1	88	00412251 4367	Filter body	1
73	15015010	Choke cable, complete	1	89	00412231 4269	Screw, fixing air filter	1
74	19071009	Articulated joint, for petrol tap control	1	90	00412252 4356	Distance piece, for filter element	1
75	74400228	Split pin, for articulated joint	2	91	00412253 4355	Filter element	1
76	19071006	Breather pipe, for fuel tank	1	92	00412254 4357	Gasket, for filter body	1
77	19011004	Manifold induction	1	93	00412255 4358	End plate, for filter	1
78	19011005	Gasket, induction manifold (up to machine 703.600)	1	94	00412151 1308	Screw, fixing end plate	3
	19011011	Gasket, induction manifold (from machine 703.601)	1	—	19018080	Silencer, complete with figs. 96-98-99-100-101-102-103-104-105	1
79	19011009	Nut, fixing manifold induction	2	95	19018001	Gasket, for exhaust	1
80	83100007	Spring washer, for nuts at fig. 79-97	4	96	19018010	Tube, engine exhaust with flange	1
81	15015015	Nut, choke control support	1	97	19018003	Nut, locking exhaust tube	2
82	83120016	Spring washer, for nut at fig. 81	1	98	19018070	Exhaust tube, main	1
83	15015040	Support, choke control	1	99	70360514	Screw, for clamp	1
84	15015020	Knob, choke control	1	100	19018023	Clamp, for engine exhaust tube	1
85	19016014	Tube, drain for air cleaner	1	101	72000005	Nut, for screw at fig. 99	1
86	19016015	Retaining plate, for drain tube	1	102	19018060	Silencer body	1
87	19071010	Rod, for petrol tap control	1	103	70360818	Screw, for clamp	1
—	00412250 4304	Air filter F. 28, complete	1	104	19018019	Clamp, for engine exhaust tube	1
				105	72060008	Nut, for screw at fig. 103	1



FUEL TANK, CARBURETTOR AND EXHAUST SILENCER

Section V

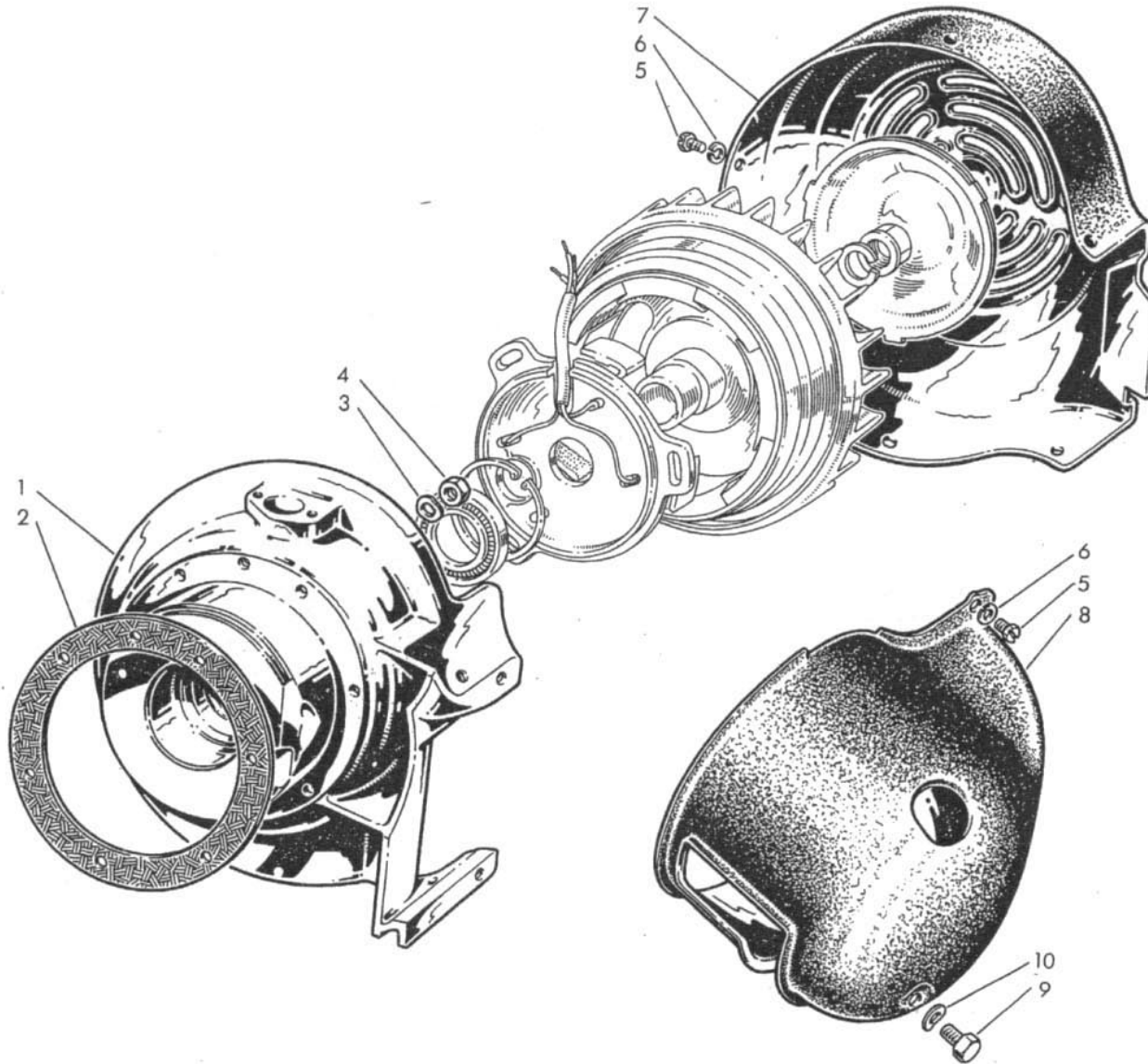


INNOCENTI



Lambretta 150 li

Fig. No.	Part. No.	Description	Quantity	Fig. No.	Part. No.	Description	Quantity
1	19010004	Flange, flywheel magneto side cowl	1	6	73170053	Spring washer, for screws at fig. 5	7
2	19010015	Gasket, for flange	1	7	19014030	Cowl, flywheel side	1
3	83100006	Spring washer, for nut at fig. 4	3	8	19014020	Engine cowl, with antishock gasket	1
4	72000006	Nut, fixing flange	3	9	70360814	Screw, fixing engine cowl	1
5	19014003	Screw, fixing main cowl flange	7	10	83100008	Spring washer, for screw at fig. 9	7

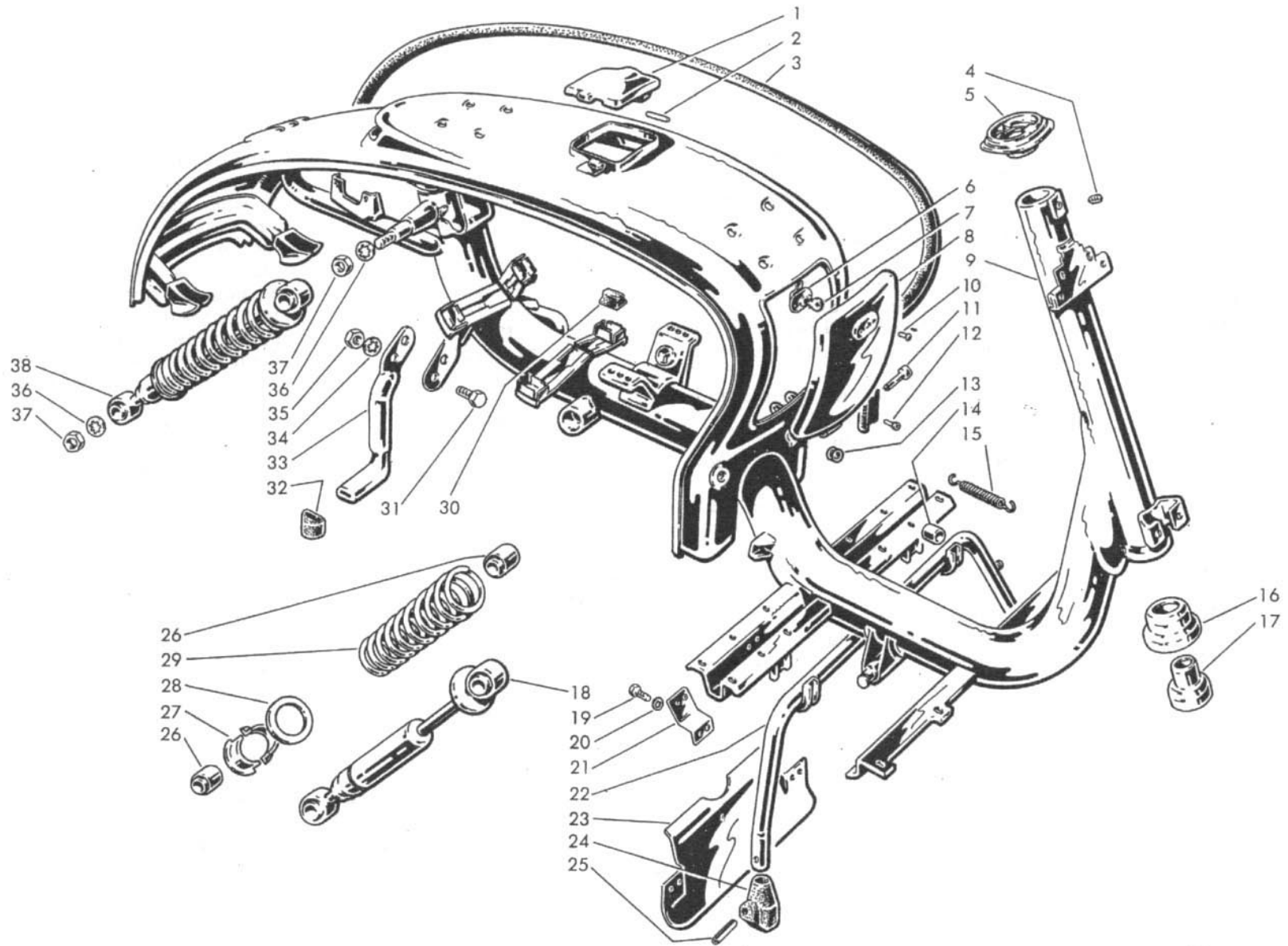


Lambretta 150 li

Fig. No.	Part. No.	Description	Quantity	Fig. No.	Part. No.	Description	Quantity
1	15055040	Cover, petrol filler cap	1	20	83120005	Spring washer, for screw at fig. 19	8
2	15055033	Pin, for hinge petrol cap cover	1	21	15057008	Support plate, for centre stand	2
3	15055059	Beading, for panel	2	22	15057010	Centre stand, complete with figs. 14-24-25	1
4	71670812	Grub screw, fixing steering bush	1	23	15057012	Mudguard, on centre stand	1
5	15061022	Upper cone, for steering ball race	1	24	15057020	Rubber cap, centre stand	2
6	15055060	Lock and Keys, for luggage box	1	25	15057009	Spring pin, centre stand rubber cap	2
* 7	15055056	Keys, for luggage box	2	26	15058020	Silent block, for shock absorber	2
8	15055050	Lid, for luggage box, complete	1	27	19058007	Half ring, locking spring for shock absorber	2
9	19050210	Frame	1	28	19058005	Ring, centring spring	1
10	75330308	Rivet, fixing lid lock	2	29	19058004	Spring	1
11	15055021	Pin, for luggage box hinge	1	30	15050021	Rubber pad, for tank support	4
12	15055061	Rivet, fixing beading	4	31	70360825	Screw, fixing footboard	2
13	15071002	Grommet, petrol tap control rod	1	32	15050065	Distance piece, for panels	2
14	15057007	Buffer, centre stand	1	33	15050031	Bracket, R.H., footboard	1
15	15057005	Spring, centre stand	1	34	83120008	Spring washer, for screw at fig. 31	2
16	15061024	Protection, lower steering ball race	1	35	72030008	Nut, for screw at fig. 31	2
17	40770228	Lower cone, for steering ball race	1	36	83100016	Spring washer, for nut at fig. 37	2
18	19058040	Shock absorber, without spring	1	37	72070016	Nut, locking shock absorber	2
19	70360510	Screw, fixing centre stand support plate	8	38	19058010	Shock absorber, with springs	1

(* When ordering spare keys please specify the manufacturer.





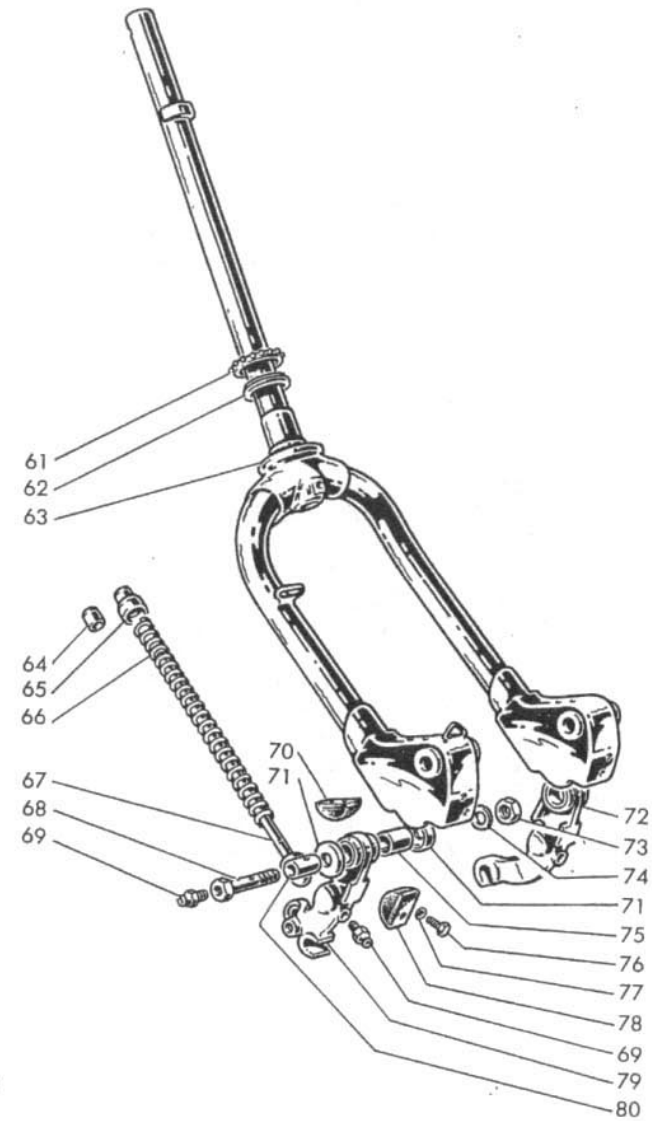
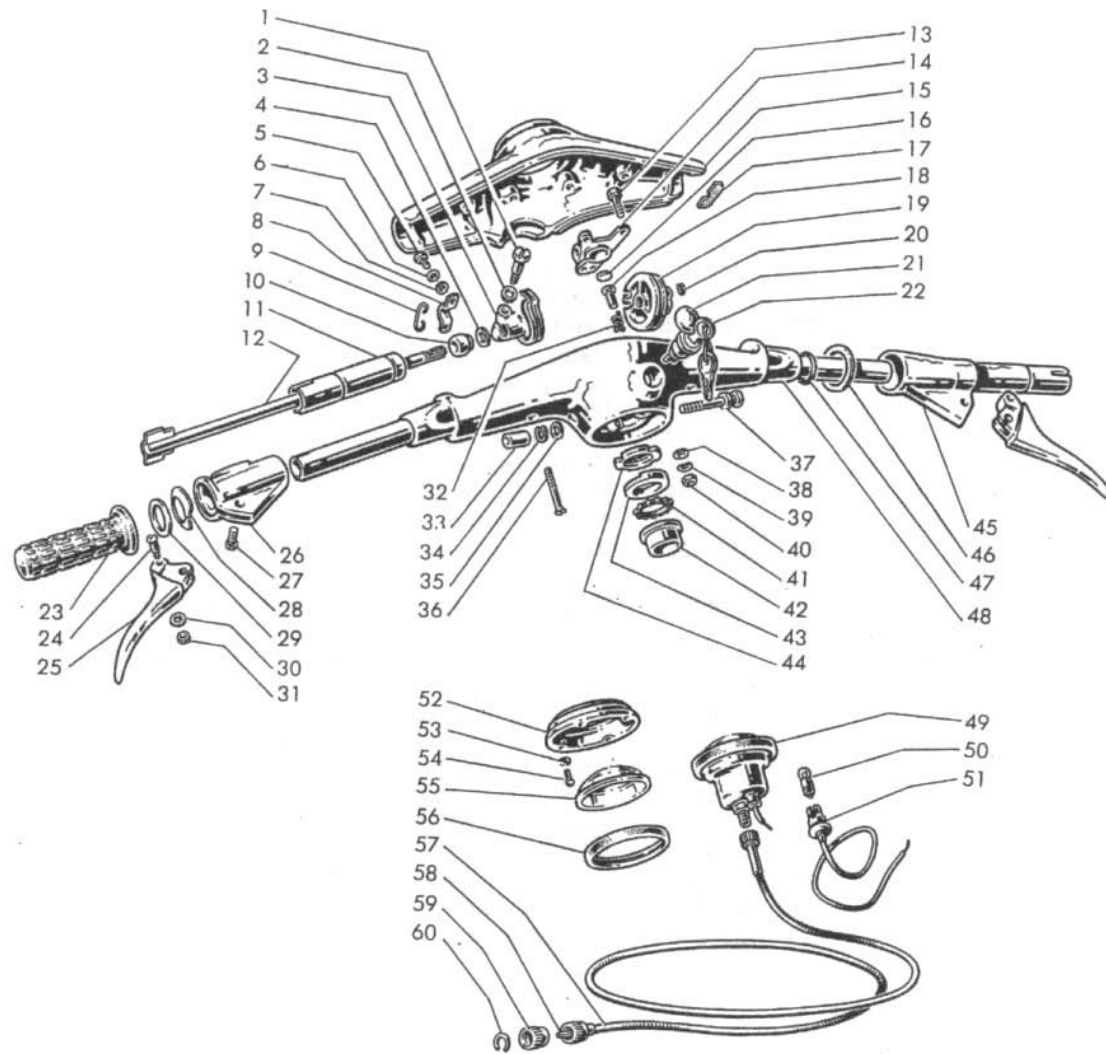
INNOCENTI

Lambretta 150 li

Fig. No.	Part. No.	Description	Quantity	Fig. No.	Part. No.	Description	Quantity
1	15062015	Locking screw, for roller	2	27	71480612	Screw, fixing twist grip support	2
2	83100005	Spring washer, for screw at fig. 1	2	28	15063005	Friction washer	1
3	15063004	Roller, for throttle control cable	1	29	15063003	Spacing washer, for twist grip	1
4	15062013	Thickness washer, for control shafts	2	30	12770423	Antivibration washer, for pins at fig. 24	2
5	70360412	Screw, fixing plate with spherical seat	4	31	14060211	Nut, fixing pins at fig. 24	2
6	83110004	Spring washer, for screw at fig. 5	4	32	15088002	Spring, for steering lock pin	1
7	73010043	Plain washer, for plate at fig. 8	2	33	15061006	Nut, for screw at fig. 37	1
8	15062012	Plate, with spherical seat for bush	2	34	83120010	Spring washer, for screw at fig. 37	1
9	15022012	Clip, for locking clutch and front brake cables	2	35	73150105	Plain washer, for screw at fig. 37	1
10	15062011	Spherical bush, for change and throttle control shaft	2	36	71450542	Screw, fixing handlebar (upper part)	2
11	19063002	Sleeve, for throttle control	1	37	15061005	Screw, fixing handlebar to steering	1
12	15062030	Shaft, for throttle and gear change controls	2	38	73010053	Plain washer, for screws at fig. 13	4
13	15061009	Screw, for fixing clamp to handlebar	4	39	83110005	Spring washer, for screws at fig. 13	4
14	15061008	Clamp, for handlebar	1	40	72030005	Nut, for screw at fig. 13	4
15	19061030	Handlebar, (upper part) with fig. 17	1	41	15061060	Ball race, upper steering	1
16	15088003	Disc, for steering lock	1	42	15061021	Cone, lower, for ball race	1
17	15061011	Gasket, for handlebar	2	43	15061019	Cone, upper, for ball race	1
18	15088001	Pin, for steering lock	1	44	15061018	Ring, for steering adjustment	1
19	15062014	Roller, for gear change	1	45	19062010	Support, for clutch and gear change control lever	1
20	15088004	Grub screw, fixing steering lock	2	46	15062017	Thrust washer, gear change control sleeve	1
21	15088010	Steering lock, complete, with keys at fig. 22	1	47	11110309	Antivibration ring, for clutch lever support	1
* 22	15088005	Keys, for lock	2	48	19061020	Handlebar (lower part) complete with figs. 13-14-16-18-32-38-39-40	1
23	19062016	Twist grip	2	49	{ 00611025 TA-3607/A	Speedometer (Km.) complete, with lighting	1
24	19062002	Pin, for clutch and front brake control	2		{ 00611026 TA-4607/A	Speedometer (mi.) complete, with lighting	1
25	19062018	Lever, clutch and front brake control	2				
26	19063001	Support, front brake lever	1				

(*) When ordering spare keys please specify the manufacturer.



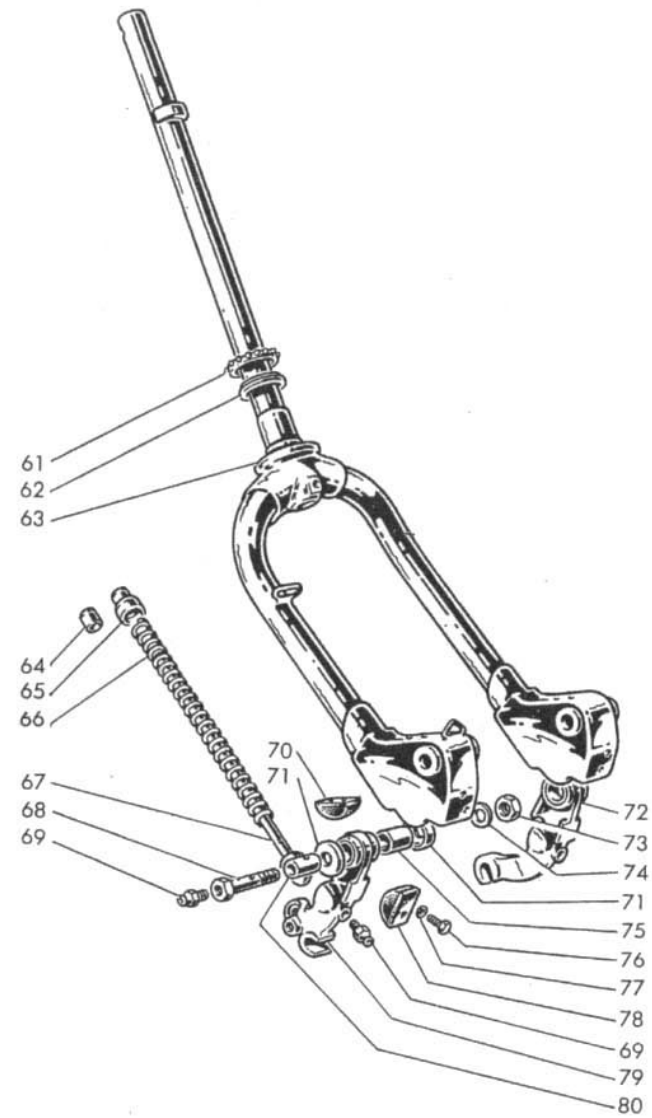
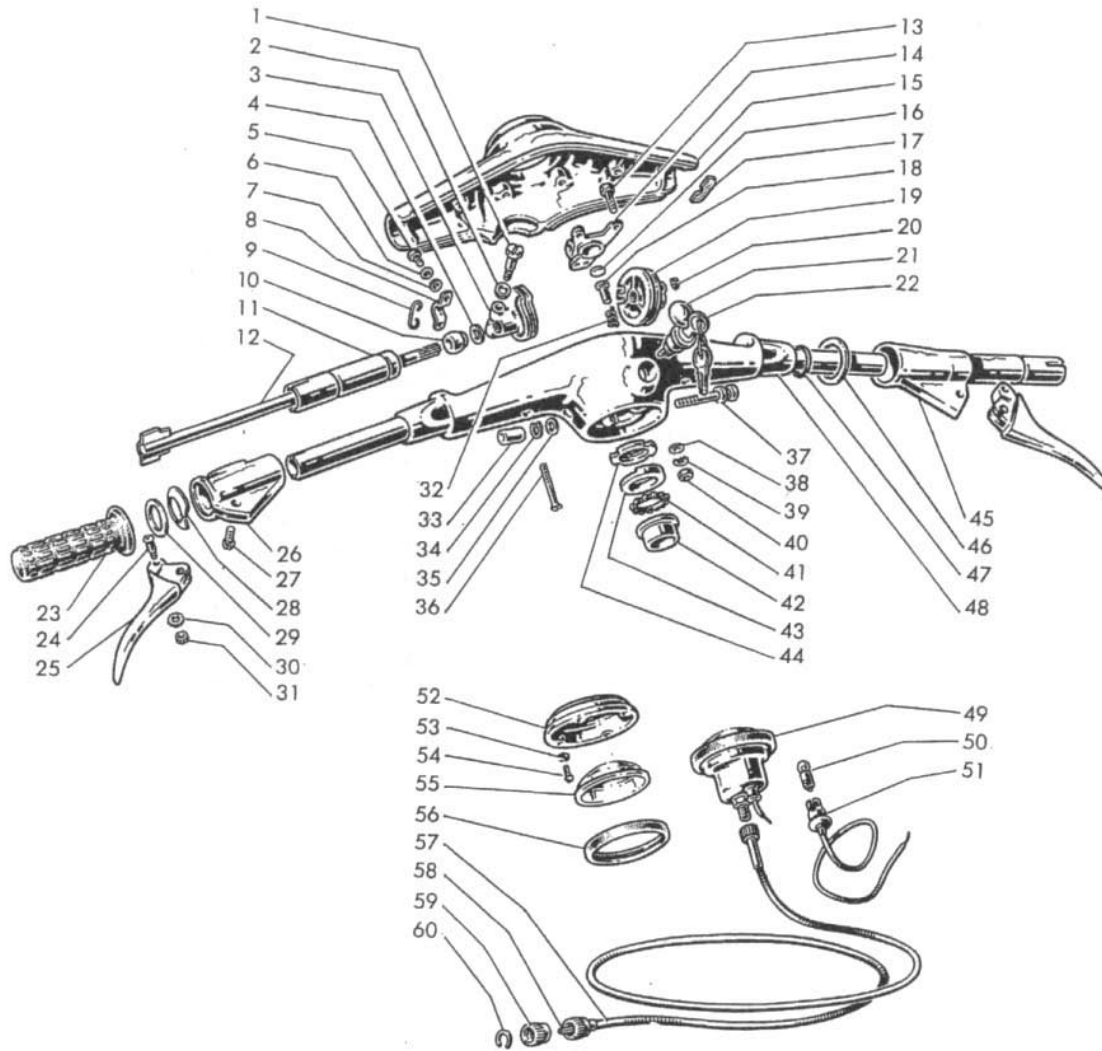


Lambretta 150 li

Fig. No.	Part. No.	Description	Quantity	Fig. No.	Part. No.	Description	Quantity
50	15087002	Bulb, for speedometer 12 V. 2,5 W	1	67	19060090	Piston, for guiding suspension spring	2
51	00611015 PL-055/B	Bulb holder, with cable	1	68	15060016	Screw, for pin	2
52	00611027 CR-9-32	Rim, for speedometer	1	69	87020006	Grease nipple, for screw and trailing links	4
53	83120003	Spring washer, for screws at fig. 54	4	70	15060100	Rebound buffer, for suspension spring	2
54	70880318	Screw, fixing rim	4	71	19060017	Grease cups	4
55	00611011 TA-3603-007	Glass, for speedometer	1	72	19060050	Trailing link, left hand with bush at fig. 75	1
56	00611013 GN-3-19	Gasket, for speedometer glass	1	73	72070012	Nut, for screw at fig. 68	2
57	00611016 TR-0,75x1140	Cable, complete, with inner and outer cable for speedometer	1	74	83120012	Spring washer, for screws at fig. 68	2
58	00611017 TR-021.005x1170,5	Inner cable, for speedometer	1	75	15060014	Bush, for trailing links	2
59	00613304 TR-033-004	Ring, for fixing speedometer cable	1	76	70360608	Screw, fixing rebound buffer	8
60	00612107 TR-02-007	Circlip, for speedometer cable	1	77	83120006	Spring washer, for screws at fig. 76	8
61	15060020	Ball race, (lower)	1	78	15060070	Rebaund buffer	2
62	15060028	Cone, for lower ball race	1	79	19060060	Trailing link, right hand with bush at fig. 75	1
63	19060010	Front fork	1	80	15060015	Pin, for trailing links	2
64	19060023	Bush, for guide ring	2				
65	19060030	Guide ring, for suspensions spring piston, with bush at fig. 64	2				
66	15060021	Suspension spring	2				



HANDLEBAR, FORK AND SPEEDOMETER

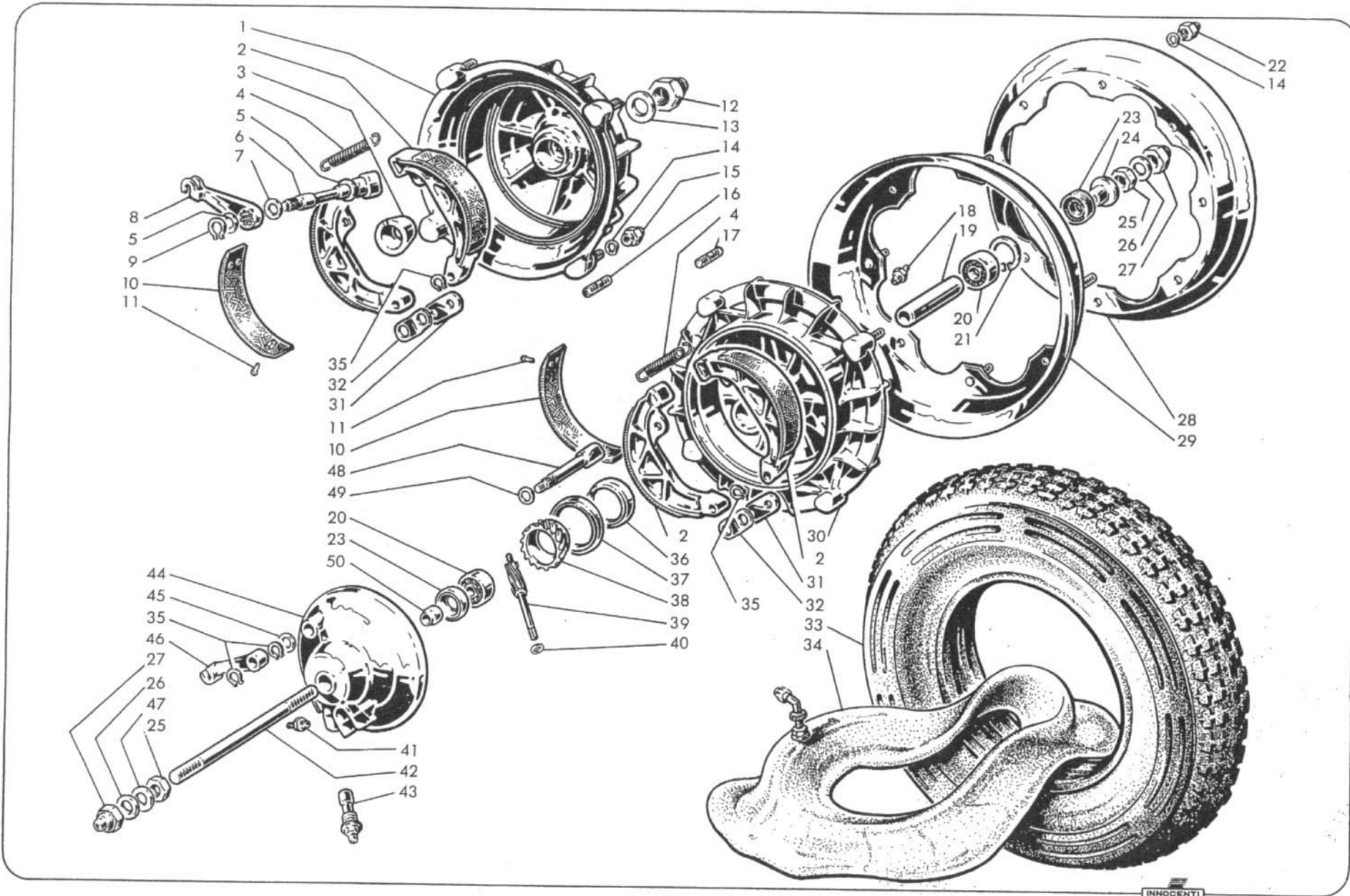


INNOCENTI

Lambretta 150 li

Fig. No.	Part. No.	Description	Quantity	Fig. No.	Part. No.	Description	Quantity
1	19045030	Rear hub, with studs at fig. 16	1	27	15044070	Nut, fixing front wheel	2
2	15044040	Brake shoe, with lining for front and rear wheel	4	28	19044034	Rim, left hand, for front and rear wheel	2
3	19045002	Cone, for rear wheel hub	1	29	19044060	Rim, right hand with studs for front and rear wheel	2
4	15044023	Return spring, for front and rear brake shoes	2	30	15044130	Front hub, with studs at fig. 17	1
5	19031015	Washer, for shaft at fig. 6	2	31	15044022	Plate, connecting brake shoes pins	2
6	19045004	Shaft, with cam for rear brake shoes control	1	32	15044044	Spring plate, for brake shoes ring	2
7	19059021	Gasket, for shaft	1	33	15044036	Tyre, (3,5" x 10")	2
8	19059019	Lever, for rear brake control	1	34	19044037	Inner tube, (3,5" x 10")	2
9	73260010	Circlip, fixing lever	1	35	73260012	Circlip, for cam and brake shoes connecting plate	6
10	15044024	Lining, for front and rear brake shoes	4	36	15044041	Bush, for packing	1
11	15044038	Rivet, for brake shoe lining	32	37	15044028	Packing, front wheel hub	1
12	19045060	Dome nut, fixing rear wheel	1	38	15044039	Helical gear wheel, for speedometer drive (supplied only with item at fig. 39)	1
13	83100016	Spring washer, for dome nut at fig. 12	1	39	15044042	Helical pinion, for speedometer drive (supplied only with item at fig. 38)	1
14	83100008	Spring washer, for nuts at fig. 15-22	16	40	15044032	Thrust washer, for speedometer drive pinion	2
15	15044110	Nut, fixing rims to hubs	8	41	87020006	Grease nipple, for speedometer drive	1
16	19045012	Stud, for rear wheel hub	4	42	02160110	Axle, front wheel	1
17	15044002	Stud, for front wheel hub	4	43	15044043	Bush, for speedometer drive pinion	1
18	87020008	Greaser nipple, for front wheel	1	44	19044140	Back plate, front brake shoes	1
19	15044006	Distance piece, for pin	1	45	15044019	Washer, for brake cam	2
20	15044005	Ball bearing, front wheel	2	46	15044017	Lever, front brake cam control	1
21	73250032	Circlip, front wheel bearing	1	47	99094416	Adjustment washer	1
22	15044100	Nut, fixing rims	8	48	15044050	Cam, front brake shoes control	1
23	15044011	Oil seal, (17 x 32 x 7)	2	49	15044018	Washer, for front brake shoes cam	1
24	15044008	Distance piece, left hand, for front wheel axle	1	50	15044007	Distance piece, right hand for front wheel axle	1
25	72070012	Nut, for wheel axle	2				
26	15044014	Washer, centring axle	2				

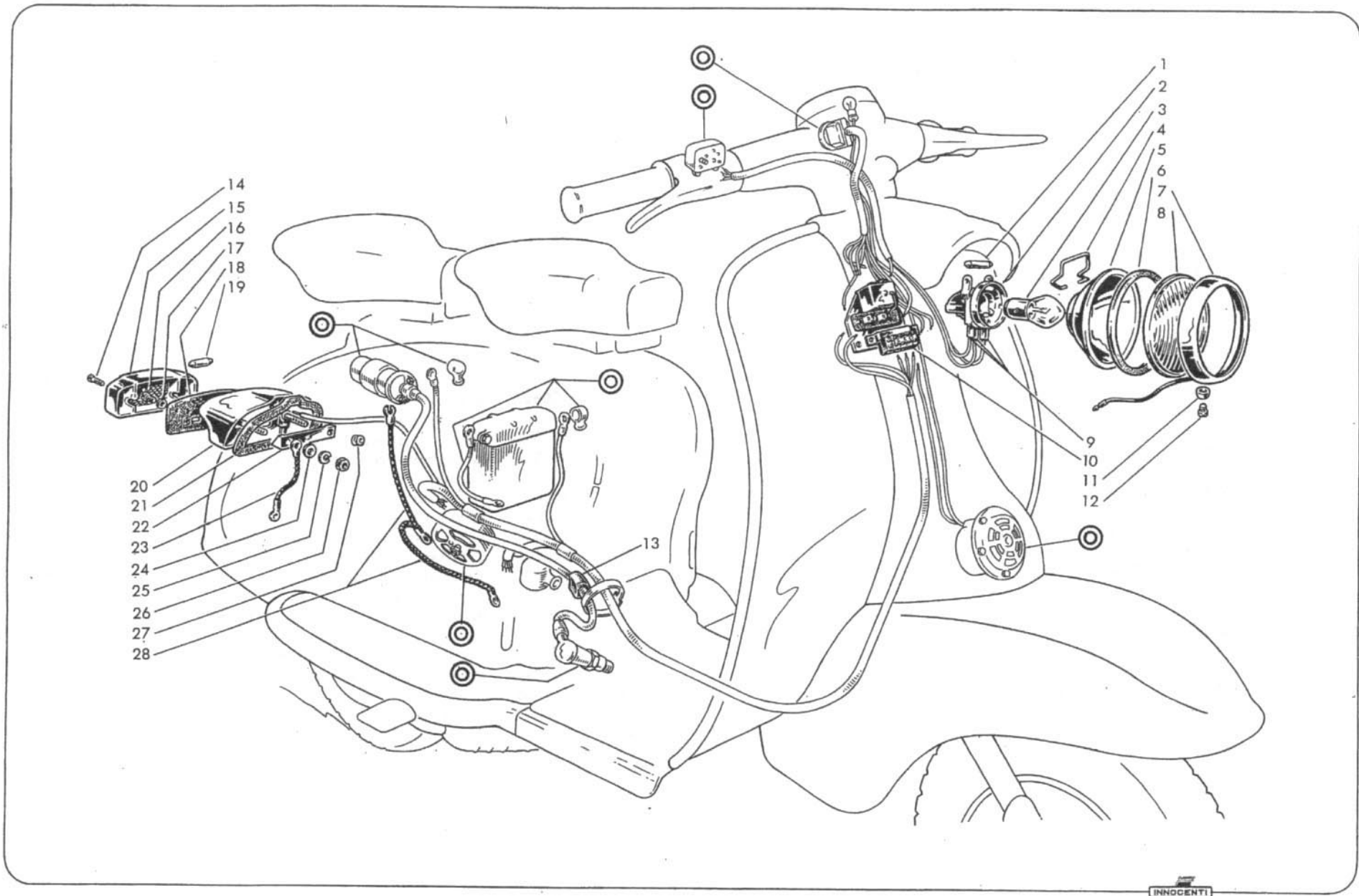




INNOCENTI

Lambretta 150 li

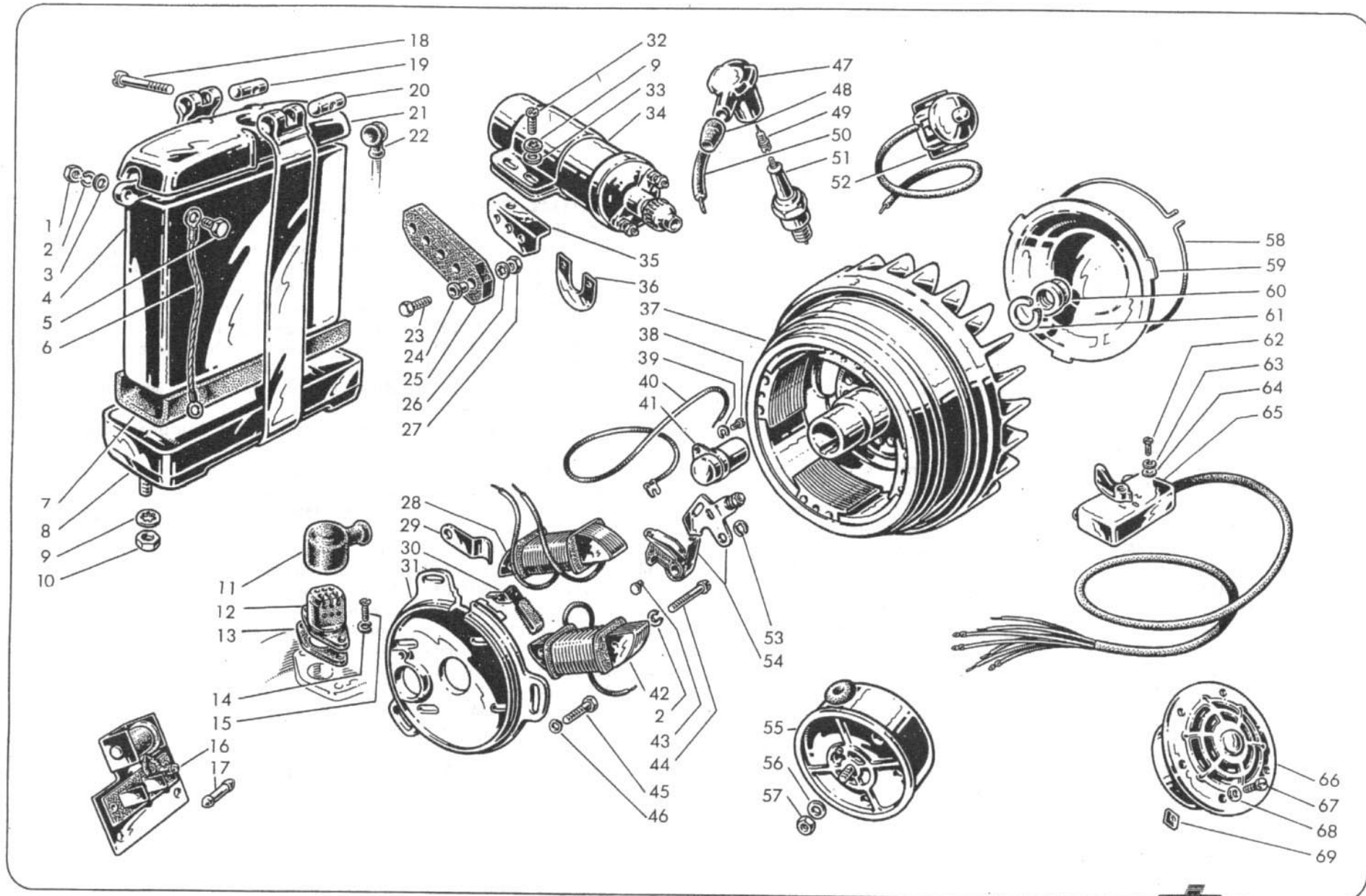
Fig. No.	Part. No.	Description	Quantity	Fig. No.	Part. No.	Description	Quantity
—	15080010	Headlamp, complete with figs. 2-4-5-6-7-8 (Cev)	1	14	19083005	Screw, fixing red gem (= 12010614)	2
1	40010146	Bulb, 6 V 3 W, for parking light	1	15	19083020	Red gem	1
2	15080030	Lamp holder, (Cev)	1	16	71160305	Screw, fixing bulb holder flexible	2
3	15080003	Bulb, 6 V 25/25 W	1	17	73010032	Washer, for screw at fig. 16	2
4	15080008	Clip, holding lampholder (Cev)	1	18	19083030	Bulb holder, flexible for tail light	1
5	15080007	Reflector, (Cev)	1	19	15083004	Bulb, for tail light 6 V - 3 W	1
6	15080006	Gasket, for glass	1	20	19043040	Body, for tail light	1
7	15080020	Headlamp rim, with earth wire (Cev)	1	21	15083006	Gasket, for tail light	1
8	15080005	Headlamp glass, (Cev)	1	22	15083003	Bar, fixing tail light	1
9	15080001	Plug pin, for electric wire	14	23	15082050	Earth wire, for tail light	1
10	15081200	Junction box	1	24	73020053	Plain washer, for nut at fig. 26	2
11	15080002	Cone washer, for screw at fig. 12	4	25	83100005	Spring washer, for nut at fig. 26	2
12	71480412	Screw, for rim	4	26	72030005	Nut, fixing tail light	2
13	15017006	Grommet, for H.T. Cable	2	27	15081023	Grommet, for tail lamp wire	1
—	19083010	Tail light, complete with figs. 14-15-16-17-18-20-22-24-25-26	1	28	19082130	Earth wire, engine, frame, H.T. Coil.	1



Lambretta 150 li

Fig. No.	Part. No.	Description	Quantity	Fig. No.	Part. No.	Description	Quantity
1	72030004	Nut, for screws at fig. 5	2	35	15017011	Support plate, for fixing H.T. coil	1
2	73170043	Spring washer, for screws at figs. 5-44	6	36	15017014	Earth plate, for H.T. coil	1
3	73020043	Plain washer, for screws at fig. 5	2	37	00840015	Flywheel	1
4	19081170	Battery, with cover for parking light	1	38	00840012	Screw, fixing condenser and breaker arm	1
5	70360410	Screw, for battery terminal	2	39	00840025	Spring washer, for screw at fig. 38	1
6	15082020	Earth wire, from battery to frame	1	40	00840020	Ignition cable	1
7	19081021	Felt, for battery	1	41	00840024	Condenser	1
8	19081180	Support, for battery	1	42	00840017	L.T. Ignition coil	1
9	83120006	Spring washer, for items at figs. 10-32	4	43	00840021	Adjustment cam	1
10	72030006	Nut, for battery support screw	2	44	71180425	Screw, fixing coils	4
11	15017003	Protection cap, for L.T. socket	1	45	70300622	Screw, fixing stator plate	3
12	15017030	L.T. socket	1	46	83100006	Spring washer, for screws at fig. 45	3
13	15017007	Gasket, for L.T. socket	1	47	15017070	Cap, for spark plug	1
14	83100004	Spring washer, for screws at fig. 15	2	48	19017016	Grommet, for spark plug cap	1
15	70850412	Screw, fixing L.T. socket	2	49	15017012	Screw, for fixing H.T. lead in cap	1
16	19081280	Impedance	1	50	15017013	H.T. lead	1
17	87200008	Fuse, on impedance	1	51	15017040	Spark plug	1
18	70880430	Screw, for battery fixing strap	1	52	19081270	Push button, for engine stopping	1
19	15081031	Bored trunnion, for battery strap	1	53	00840023	Washer, for breaker	1
20	15081029	Threaded trunnion, for battery strap	1	54	00840022	Breaker arm, complete	1
* 21	19081032	Cover, for battery	1	55	15081250	Rectifier group	1
22	15082001	Protection cap, for battery terminal and H.T. coil	2	56	73170064	Spring washer, for nut at fig. 57	1
23	70300418	Screw, fixing anti-shock pad and H.T. coil	5	57	72000006	Nut, fixing rectifier	1
24	15017009	Distance piece, for anti-shock pad	5	58	00840027	Circlip, for dust protector cover	1
25	15017008	Anti-shock pad, for H.T. coil	1	59	00840026	Cover, dust protector	1
26	83120004	Spring washer, for screw at fig. 23	5	60	19017002	Nut, locking flywheel magneto	1
27	72030004	Nut, for screws fixing anti-shock pad	2	61	19017015	Spring washer, for nut at fig. 60	1
—	00840013	Flywheel magneto, Ducati	1	62	70910308	Screw, fixing switch	2
28	00840018	L.T. lighting coil	1	63	83110003	Spring washer, for screws at fig. 62	2
29	19017014	Plate, fixing flywheel magneto wire	1	64	73010032	Plain washer, for screws at fig. 62	2
30	00840019	Felt pad	1	65	19081220	Headlamp switch	1
31	00840014	Stator plate	1	66	19081240	Horn	1
32	70850612	Screw, fixing H.T. coil	2	67	71013510	Screw, for fixing horn	2
33	73010064	Plain washer, for screws at fig. 32	2	68	83120035	Spring washer, for screws at fig. 67	2
34	00840016	H.T. Coil, with support band	1	69	15081024	Shock pad, for horn	2

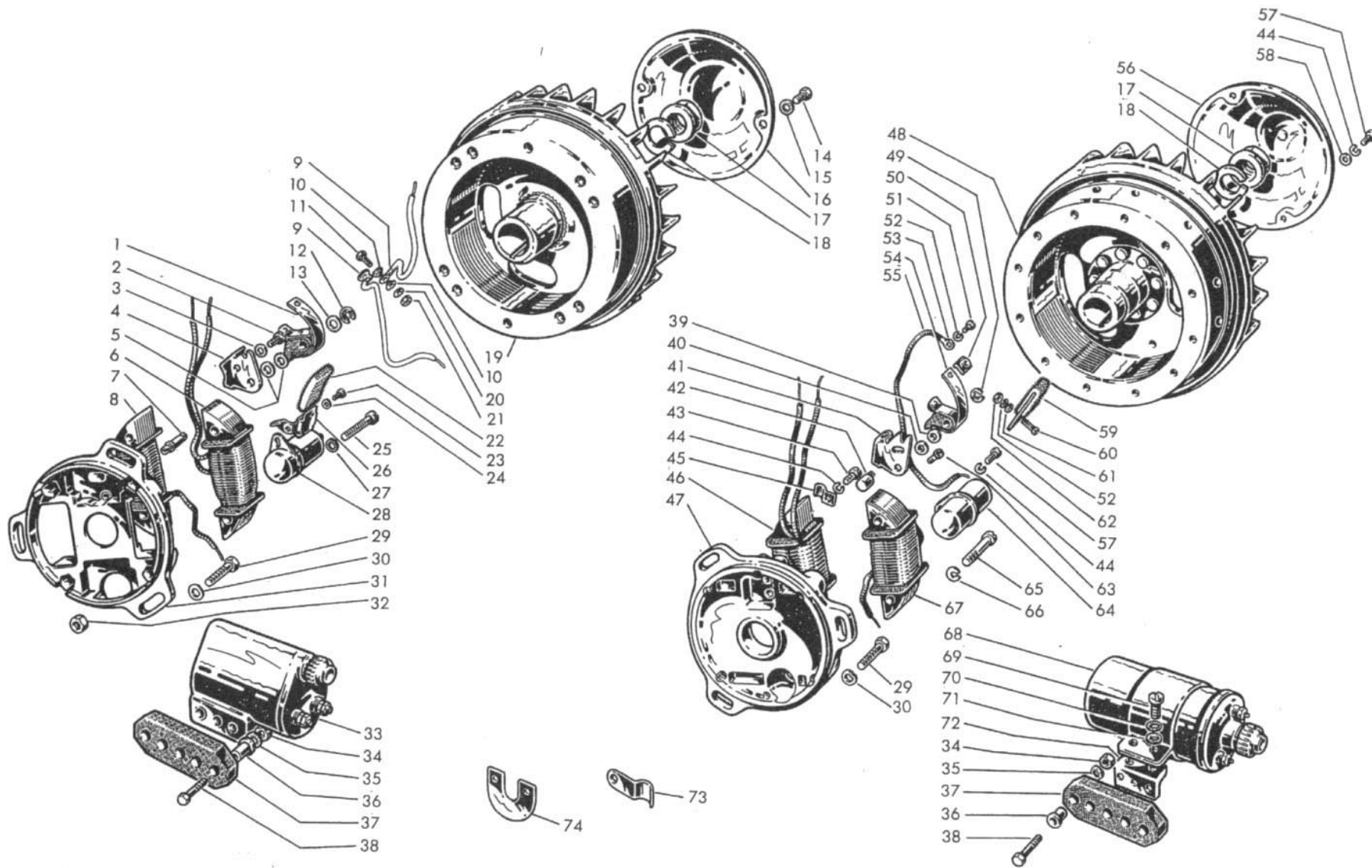
(* When ordering spare cover, please specify the manufacturer



Lambretta 150 li

Fig. No.	Part. No.	Description	Quantity	Fig. No.	Part. No.	Description	Quantity
—	00811415 C 12330/1	Flywheel magneto, Filso	1	33	00811384 C 12128/1	H.T. coil	1
—	00811419 —	Breaker arm, complete with figs. 1-4	1	34	72030004	Nut, for screw at fig. 38	2
1	— C 10894/4	Breaker arm (supplied only with item at fig. 4)	—	35	83120004	Spring washer, for screws at fig. 38	5
2	00811311 20020/4x8	Screw, fixing contact base	1	36	15017009	Distance piece, for anti-shock pad	5
3	00811288 20403/4,3	Plain washer, for screw at fig. 2	1	37	15017008	Anti-shock pad, for H.T. coil	1
4	— C 11508/2	Base contact point (supplied only with item at fig. 1)	—	38	70300418	Screw, fixing H.T. coil	5
5	00811313 N 116/1	Plain washer, for breaker arm	2	—	00831593 MVB 20 B	Flywheel magneto Marelli	1
6	00811418 C 12328/1	L.T. lighting coil	1	39	00831574 90058-301	Spacer washer, for breaker arm	2
7	00811310 E 10880/1	Pin, for stator plate	1	40	00831600 95012/111	Insulating washer	1
8	00811417 C 12312/1	L.T. ignition coil	1	—	00831599 —	Breaker arm, complete with figs. 41-54	1
9	00811407 N 221/4	Terminal	2	41	— 700270-02	Base contact point (supplied only with item at fig. 54)	—
10	00811410 N 116/51	Washer, insulating, for terminal	2	42	00831598 91074-2	Cam, for contact point	1
11	00811409 N 156/11	Screw, for terminal	1	43	00831542 90028/21	Screw, fixing clip	1
12	00811312 N 235/1	Ring, for contact breaker arm	1	44	00831426 90024-5	Spring washer, for screws at figs. 43-57	4
13	00811404 N 116/63	Washer, for contact breaker arm	1	45	00831597 95162-1	Clip, retaining cables	1
14	00811422 E 12363/1	Screw, fixing protector cover	2	46	00831596 MVB 4/30 F	L.T. lighting coil	1
15	00811423 N 246/4	Spring washer, for screws at fig. 14	2	47	00831594 700678-01	Stator plate	1
16	00811421 E 13331/1	Cover, dust protector	1	48	00831607 700671-02	Flywheel	1
17	19017002	Nut, locking magneto flywheel	1	49	00831558 90070-4	Spring washer, for breaker arm	1
18	19017015	Spring washer, for nut at fig. 17	1	50	00831601 AVS 2/410-3	Insulating block, contact breaker arm	1
19	00811420 C 12326/1	Flywheel	1	51	00831461 90010-131	Screw, for fixing connection	1
20	73010032	Plain washer, for screw at fig. 11	1	52	00831424 90024-3	Spring washer, for screws at figs. 51-60	2
21	00811223 N 106/42	Nut, for screw at fig. 11	1	53	00831603 95084-11	Terminal, for connection	1
22	00811379 E 11252/3	Felt pad	1	54	— 700269-02	Breaker arm, (supplied only with item at fig. 41)	—
23	00811380 20037/3x5	Screw, fixing condenser	1	55	00831602 95140-23	Breaker arm connection	1
24	00811339 N 246/3	Plain washer, for screw at fig. 23	1	56	00831608 700675-01	Cover, dust protector	1
25	00811355 20018/5x28	Screw, fixing coils	4	57	00831462 90028-31	Screw, fixing condenser and dust protector cover	3
26	00811353 E 11803/1	Box, for felt pad	1	58	00831609 90021-51	Plain washer, for screw at fig. 57	2
27	00811345 20418/5,3	Spring washer, for screws at fig. 25	4	59	00831604 MVB 14/13 A	Greaser pad	1
28	00811356 I 12009/1	Condenser	1	60	00831605 90010-171	Screw, for fixing greaser pad	1
29	70300622	Screw, fixing stator plate	3	61	00831522 90022-51	Plain washer, for screw at fig. 60	1
30	83100006	Spring washer, for screws at fig. 29	3				
31	00811416 E 12307/1	Stator plate, with pin at fig. 7	1				
32	72000005	Nut, for screws at fig. 25	4				





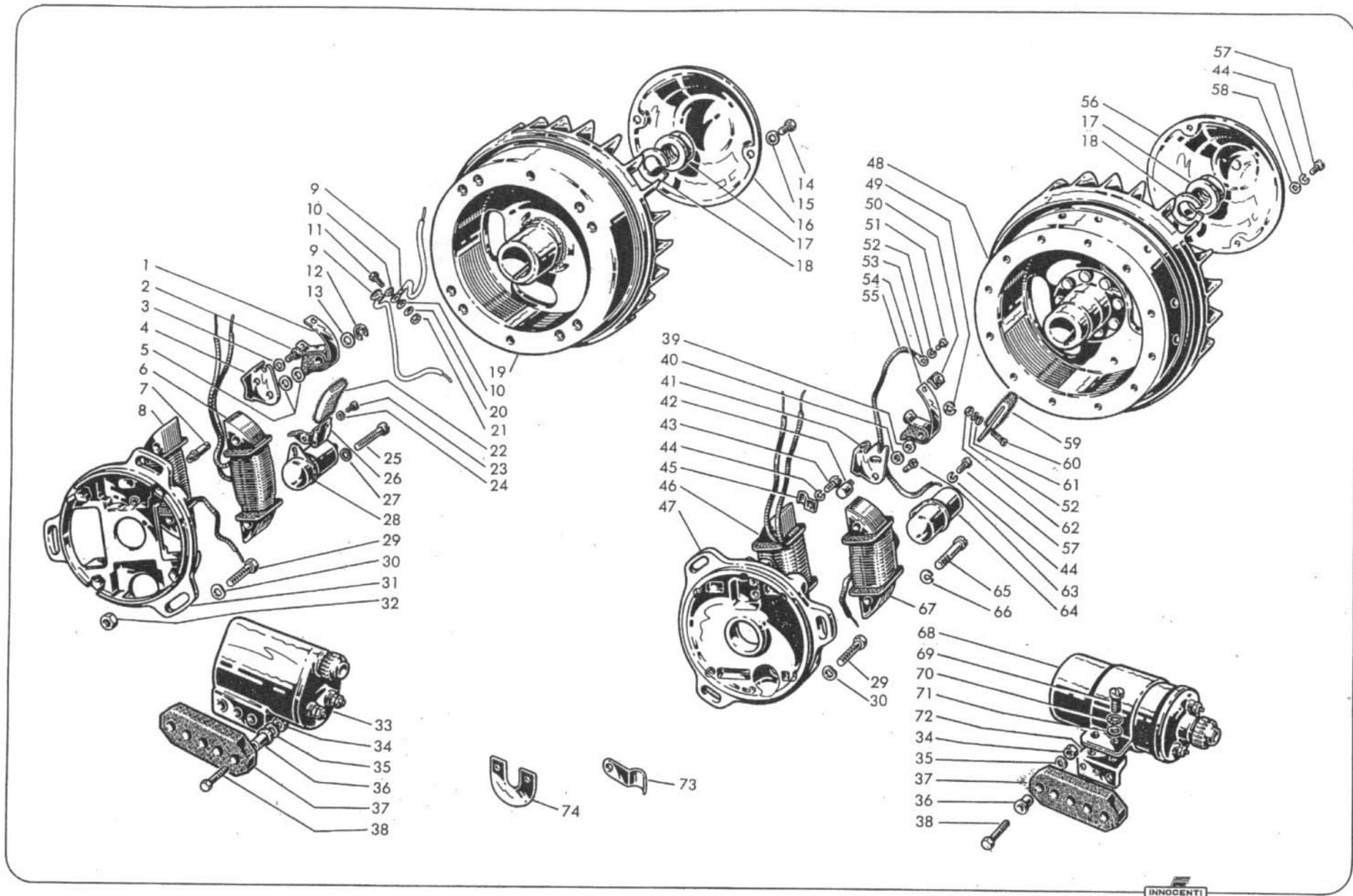
INNOCENTI



Lambretta 150 li

Fig. No.	Part. No.	Description	Quantity	Fig. No.	Part. No.	Description	Quantity
62	00831606 90001-31	Nut, for screw at fig. 60	1	69	70850612	Screw, fixing H.T. coil	2
63	00831437 95086-1	Screw, for fixing breaker arm	1	70	83120006	Spring washer, for screws at fig. 69	2
64	00831521 CE 4 H	Condenser	1	71	73010064	Plain washer, for screws at fig. 69	2
65	00831423 90012-171	Screw, for fixing coils	4	72	15017011	Plate, for fixing H.T. coil	1
66	73170053	Spring washer, for screw at fig. 65	4	73	19017014	Plate, fixing flywheel magneto wire	1
67	00831595 MVB 4/25 D	L.T. Ignition coil	1	74	15017014	Earth plate, H.T. coil	1
68	00831579 B 101 E	H.T. Coil, Marelli	1				
	12011081 TJ 6 A 6	H.T. Coil, Bosch	—				

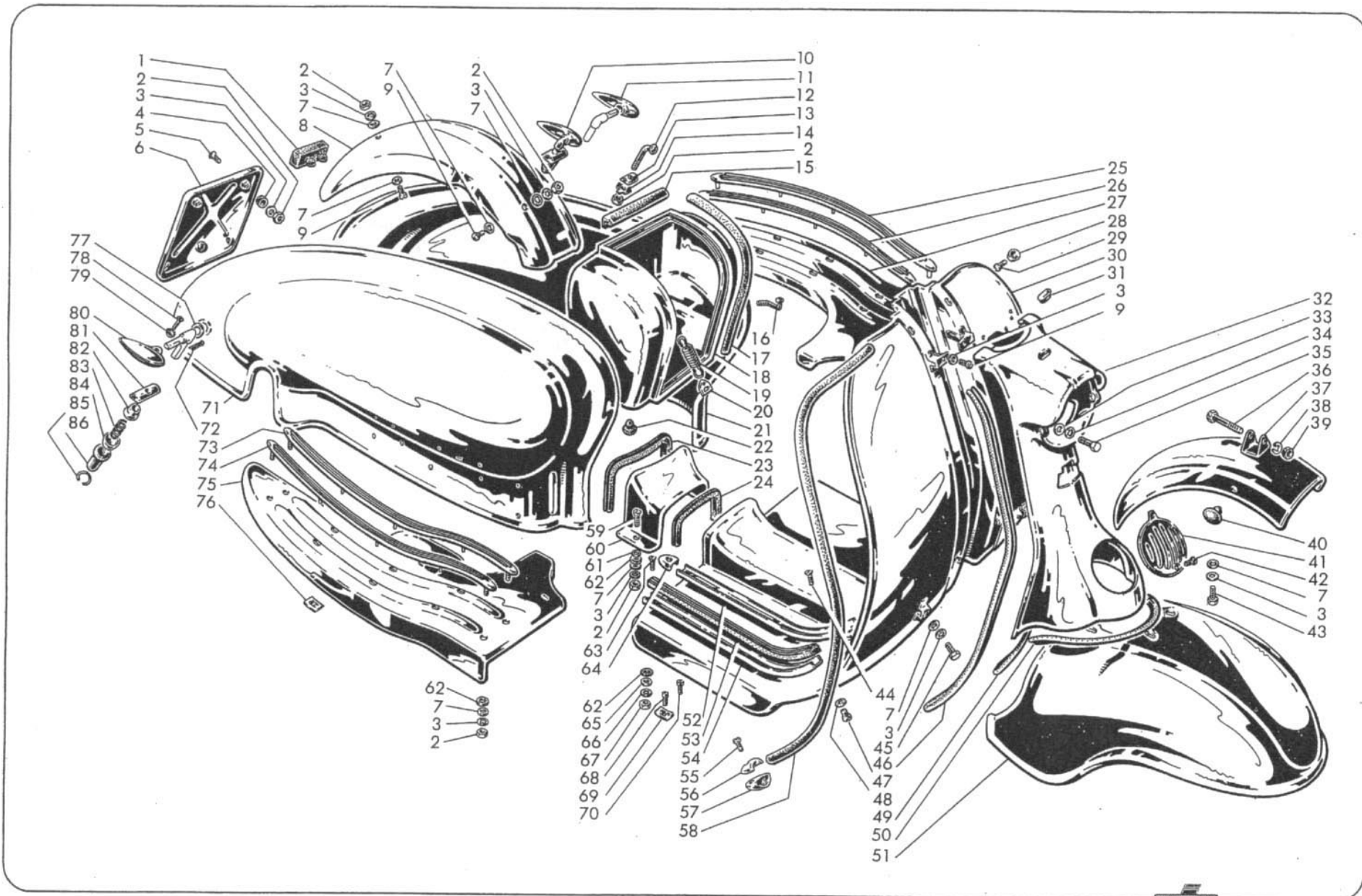




Lambretta 150 Li

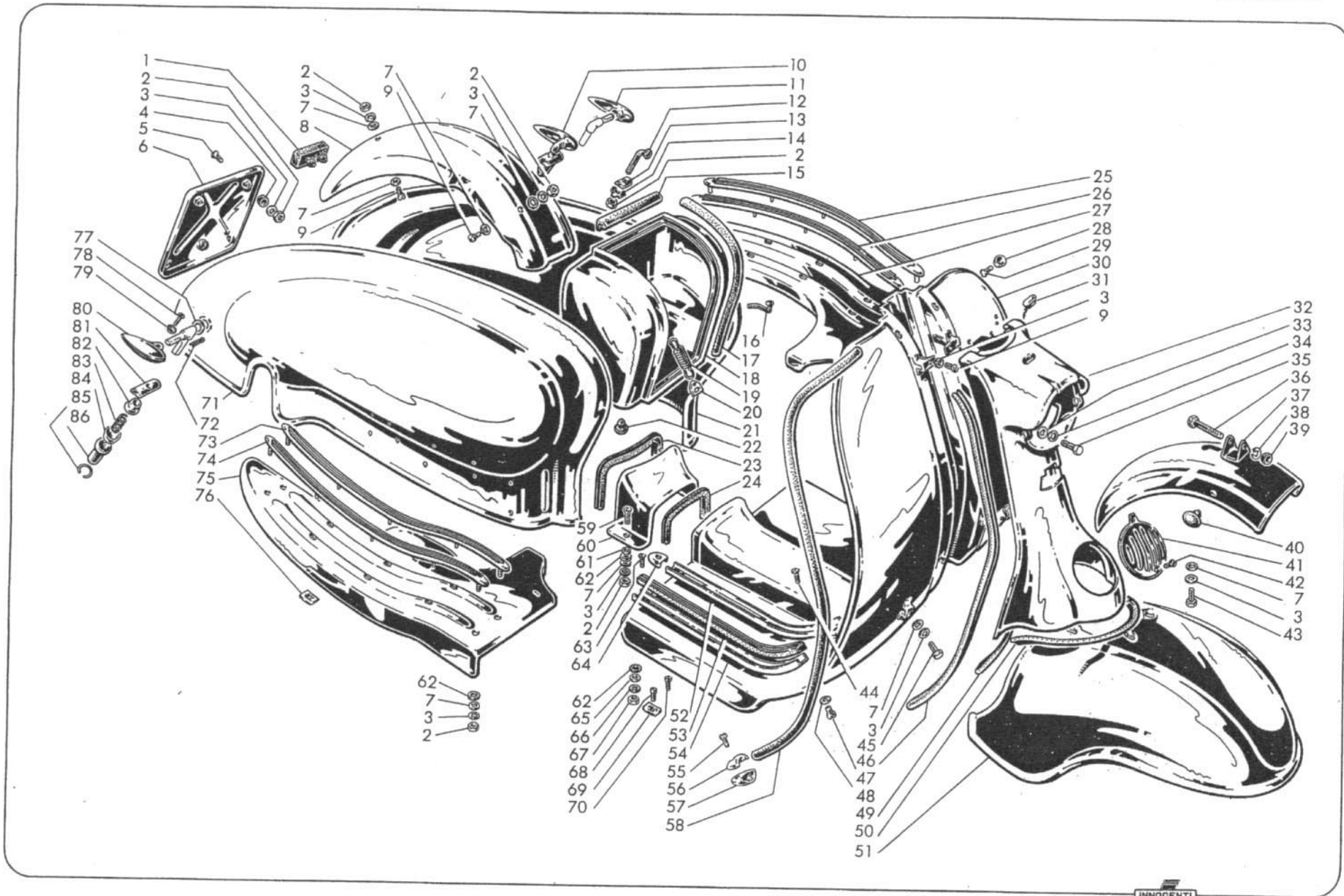
Fig. No.	Part. No.	Description	Quantity	Fig. No.	Part. No.	Description	Quantity
1	15055057	Buffer, for rear mudguard	1	34	83120006	Spring washer, for screw at fig. 35	2
2	72030005	Nut, for items at fig. 5-9-12-16-25-26-59-73-74	20	35	70300620	Screw, fixing horn casting to frame	2
3	83120005	Spring washer, for items at figs. 5-9-25-26-43-45-59-73-74	23	36	70330650	Screw, fixing mudguard to front fork	1
4	15083002	Gasket, for rear number plate	3	37	15060160	Mudguard, internal	1
5	70300518	Screw, fixing rear number plate	3	38	73170064	Spring washer, for screw at fig. 36	1
6	15083001	Rear number plate	1	39	72030006	Nut, for screw at fig. 36	1
7	73010053	Plain washer, for items at figs. 9-25-26-43-45-59-73-74 and footboard strip	24	40	15060039	Buffer, for front mudguard	2
8	15055070	Rear mudguard	1	41	19050083	Cover, for horn	1
9	70910514	Screw, fixing rear mudguard and legshield	6	42	71480410	Screw, fixing horn cover	1
10	15055180	Lock L.H., complete, for panel	1	43	70360514	Screw, fixing front mudguard	4
	15055190	Lock R.H., complete, for panel	1	44	71420409	Screw, fixing front end caps	6
11	15055063	Handle, for left hand lock	1	45	70300520	Screw, fixing front mudguard to legshield	2
12	15086007	Rod, upper, for luggage box	1	46	15050047	Beading, R.H. horn casting	1
13	15086006	Adjustable plate	3	47	12180137	Screw, fixing front end caps	6
14	15086008	Safety plate	3	48	83100006	Spring washer, for screw at fig. 47	6
15	15086012	Gasket, for luggage box	2	49	15050046	Beading L.H., for horn casting	1
16	15086017	Rod, lower, for luggage box	2	50	15050049	Beading, between front mudguard and horn casting	1
17	15086011	Gasket, for luggage box	2	51	15050060	Front mudguard	1
18	15086010	Luggage box	1	52	19050091	Beading chanel, outer and inner for footboard	4
19	15086016	Spring, fixing tool bag	1	53	19050093	Beading, for footboard	6
20	15086015	Plate, for spring	1	54	19050092	Intermediate beading chanel, for bootboard	2
21	19055090	Panel L.H.	1	55	70910416	Screw, fixing end caps	4
22	15086009	Buffer, for luggage box	1	56	15050064	End cap, upper, for saver border	4
23	15050059	Gasket, for legshield connecting piece	1	57	15050063	End cap, lower, for saver border	4
24	15050058	Gasket, for connecting piece	1	58	15050062	Saver border, for legshield	2
25	19050280	Strip, outer, L.H. for footboard	1	59	71300518	Screw, fixing connecting piece	2
26	19050270	Strip, inner, L.H. for footboard	1	60	15050057	Connecting piece, between legshield and frame	1
27	19050054	Footboard L.H.	1	61	15050061	Antivibration washer, for connecting piece	2
28	15050066	Grommet, for screw at fig. 29	4	62	15050052	Antivibration washer, for legshield and footboard	20
29	71420514	Screw, fixing horn casting to legshield	4	63	71450425	Screw, fixing rear end caps	6
30	19050090	Legshield	1	64	08180142	End caps, front and rear, for footboard strip	12
31	15050068	Light indicator	1	65	73060043	Plain washer, for screw fixing beading chanel	10
32	19050086	Horn casting	1	66	83120004	Spring washer, for screw fixing beading chanel	10
33	73010064	Plain washer, for screw at fig. 35	2	67	72030004	Nut, for screw at fig. 68	10
				68	08180175	Screw, fixing beading chanel	8





Lambretta 150 li

Fig. No.	Part. No.	Description	Quantity	Fig. No.	Part. No.	Description	Quantity
69	19050098	Elastic nut, for screw fixing beading chanel	8	78	71420614	Screw, for fixing handle	2
70	19050096	Screw, fixing beading chanel	4	79	83130006	Spring washer, for screw at fig. 78	2
71	19055100	Panel R.H.	1	80	15055064	Handle, for right hand lock	1
72	74400330	Split pin, for panel lock	2	81	15055044	Bush, for panel lock	2
73	19050290	Beading chanel, inner, for footboard	1	82	15055045	Cup, retaining caps	2
74	19050300	Beading chanel, outer, for footboard	1	83	15055042	Pressure spring, for panel lock	2
75	19050053	Footboard R.H.	1	84	15055043	Cup, retaining springs	2
76	15050069	Elastic nut, for screw fixing beading chanel	12	85	15055047	Circlip, for panel lock	2
77	15055055	Antivibration washer, for panel lock	2	86	15055046	Protection cap, for panel lock	2



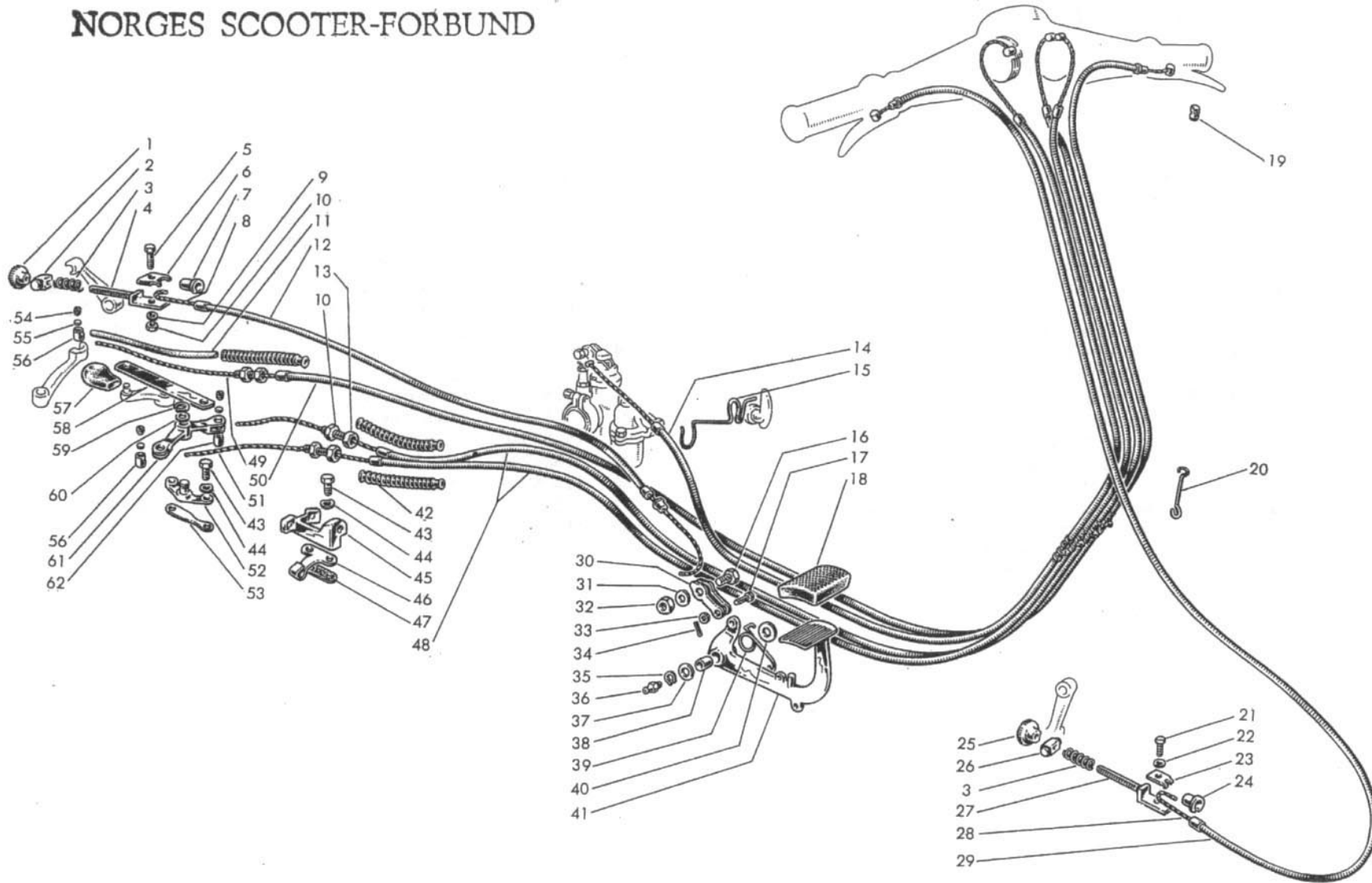
Lambretta 150 li

Fig. No.	Part. No.	Description	Quantity
1	19059003	Adjuster ring, for rear brake	1
2	19059001	Adjuster trunnion	1
3	15065006	Spring, for front and rear brake adjuster screw	2
4	19059002	Adjustment screw, rear brake cable	1
5	19059005	Screw, locking cable plate	1
6	19059004	Plate, fixing rear brake cable	1
7	15059009	Ferrule, rear brake cable	2
8	19059011	Inner cable, rear brake	1
9	83100007	Spring washer, for screw at fig. 5	1
10	19032008	Nut, for screw at fig. 5-13	4
11	19022014	Protection hose, for clutch cable	1
12	19059030	Cable, complete, for rear brake	1
13	19032001	Adjuster, for clutch and gear change cable	3
14	19015030	Throttle cable, complete	1
15	19032024	Band, fixing cable	1
16	15059013	Pin, rear brake cable	1
17	15059014	Pin, rear brake rods	1
18	15059003	Protection rubber, rear brake pedal	1
19	19022007	Trunnion, for cables	2
20	15065009	Grommet, for anchoring front brake cable	1
21	70360512	Screw, locking cable plate	1
22	83120005	Spring washer, for screw at fig. 21	1
23	15065008	Plate, fixing front brake cable	1
24	11770805	Ferrule, front brake cable	1
25	15065007	Adjuster ring, front brake	1
26	15065005	Trunnion	1
27	15065004	Adjuster screw, front brake cable	1
28	19065040	Inner cable, with terminal	1
29	19065030	Cable, front brake	1
30	15059012	Rod, rear brake control	2
31	83100010	Spring washer, for nut at fig. 32	1
32	72070010	Nut, for pin	1
33	83010601	Plain washer, for brake rod pin	1
34	74401522	Split pin, for brake rod pin	1

Fig. No.	Part. No.	Description	Quantity
35	73260012	Circlip, for rear brake pedal	1
36	87020006	Grease nipple	1
37	83011201	Spacer, for rear brake pedal	1
38	15059005	Bush, for rear brake control lever	1
39	15059004	Return spring, rear brake pedal	1
40	15059006	Washer, guiding rear brake lever spring	1
41	15059010	Pedal, for rear brake with bush at fig. 38	1
42	19022015	Protection hose, for gear change and clutch cable	3
43	70360616	Screw, for fixing pin and adjuster screws support	4
44	83100006	Spring washer, for screws at fig. 43	4
45	19031017	Adjuster screw support, for gear change and clutch cable	1
46	19059006	Plate, rear brake cable	1
47	19032016	Gasket, for plate	1
48	19032050	Cables, gear change	2
49	19022020	Inner cable, for clutch with terminal	1
50	19022010	Clutch cable, complete	1
51	19032060	Inner cable, with trunnion for gear change control	2
52	19031006	Pin, gear change control lever	1
53	19031004	Gasket, for pin	1
54	15022009	Grub screw, locking gear change and clutch cable	3
55	15022011	Disc, for grub screw	3
56	15022008	Trunnion, for locking clutch and gear change cable	2
57	19032007	Protection, for gear change lever	1
58	19032005	Tie rod, gear change	1
59	73260010	Circlip, for gear change control lever	1
60	19031012	Thickness washer, for gear change lever	1
61	19031003	Lever, gear change control	1
62	19032003	Trunnion, for locking gear change cable and tie rod	1



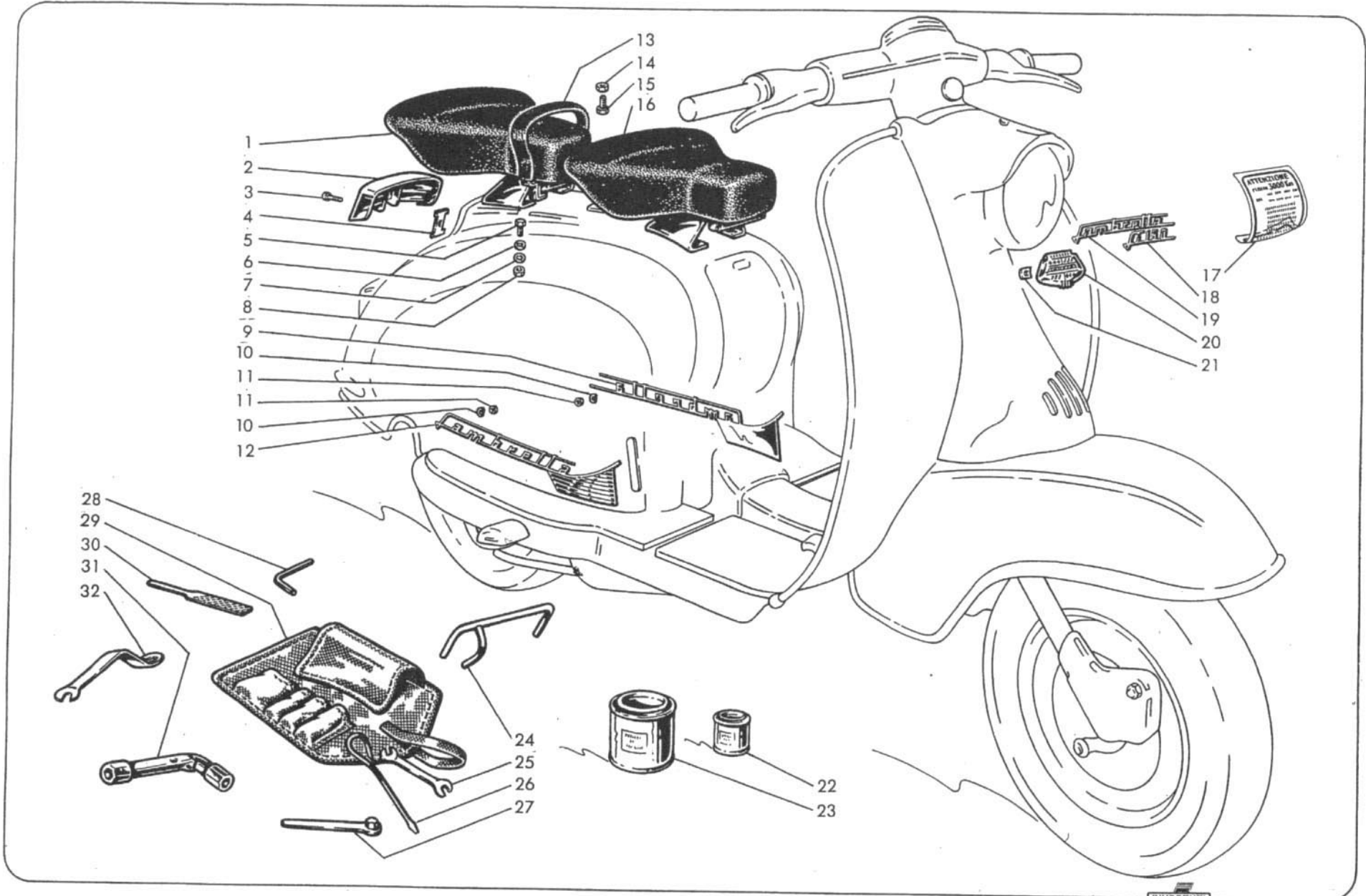
NORGES SCOOTER-FORBUND



Lambretta 150 li

Fig. No.	Part. No.	Description	Quantity
1	19055260	Saddle, pillion (up to machine N°.....)	1
	19055300	Saddle, pillion (from machine N°.....)	—
2	19055014	Grill, for air intake	1
3	71480418	Screw, fixing grill	2
4	15055015	Plate, fixing grill	2
5	70360822	Screw, for fixing rear and front saddle	8
6	73030084	Plain washer, for screws at fig. 5	8
7	83120008	Spring washer, for screws at fig. 5	8
8	72030008	Nut, for screws at fig. 5	8
9	19055049	Flash, for left hand panel	1
10	83100004	Spring washer, for nuts at fig. 11	12
11	72030004	Nut, for fixing flashes	12
12	19055051	Flash, for right hand panel	1
13	19055280	Hand grip, for passenger	1
14	19055069	Nut, for screws at fig. 15	2
15	19055068	Screw, fixing hand grip	2
16	19055250	Saddle, riders	1
17	19090001	Transfer, for running instruction in Italian, French and Spanish language	1
	19090002	Transfer, for running instruction in English language	1

Fig. No.	Part. No.	Description	Quantity
18	19050200	Model plate, for legshield	1
19	15050160	Name plate, for legshield	1
20	15050071	Name plate, for horn casting	1
21	15050069	Elastic nut, for name plate and flashes	2
22	61050016	Retouches paint, light grey color, tin 100 grs.	—
	61050018	Retouches paint, light green color, tin 100 grs.	—
23	61020010	Synthetic paint, light grey color, tin 1 Kg.	—
	61020011	Synthetic paint, light green color, tin 1 Kg.	—
24	19086240	Lifting stand, for rear wheel	1
25	15086061	Spanner, double ended 8 x 10 mm	1
26	15086062	Screwdriver	1
27	15086220	Allen key	1
28	15086066	Allen key, for cable trunnion	1
29	15086230	Tool bag	1
30	15086063	File, for contact point	1
31	15086210	Spanner, for spark plug and wheel nut	1
32	15086059	Spanner, 14 mm. for rear wheel nut	1



INNOCENTI



Part. No.	Table	Fig.	Part. No.	Table	Fig.	Part. No.	Table	Fig.	Part. No.	Table	Fig.	Part. No.	Table	Fig.
00412001	V	13	00412231	V	89	00811313	XII	5	00831595	XII	67	11110347	II	16
00412002	V	12	00412232	V	20	00811339	XII	24	00831596	XII	46	11110348	II	16
00412005	V	34	00412234	V	23	00811345	XII	27	00831597	XII	45	11770805	XIV	24
00412006	V	31	00412248	V	24	00811353	XII	26	00831598	XII	42	12011081	XII	68
00412008	V	44	00412249	V	19	00811355	XII	25	00831599	XII	—	12180137	XIII	47
00412018	V	30	00412250	V	—	00811356	XII	28	00831600	XII	40	12770423	VIII	30
00412019	V	29	00412251	V	88	00811379	XII	22	00831601	XII	50	14030008	IV	47
00412021	V	39	00412252	V	90	00811380	XII	23	00831602	XII	55	14060211	VIII	31
00412027	V	37	00412253	V	91	00811384	XII	33	00831603	XII	53	15010090	I	36
00412038	V	48	00412254	V	92	00811404	XII	13	00831604	XII	59	15012005	II	12
00412044	V	33	00412255	V	93	00811407	XII	9	00831605	XII	60	15015010	V	73
00412049	V	7	00412257	V	5	00811409	XII	11	00831606	XII	62	15015015	V	81
00412050	V	6	00412258	V	22	00811410	XII	10	00831607	XII	48	15015020	V	84
00412053	V	42	00412259	V	—	00811415	XII	—	00831608	XII	56	15015040	V	83
00412054	V	15	00412260	V	26	00811416	XII	31	00831609	XII	58	15016005	V	63
00412055	V	40	00412261	V	25	00811417	XII	8	00840012	XI	38	15016013	V	67
00412071	V	50	00412262	V	38	00811418	XII	6	00840013	XI	—	15017003	XI	11
00412098	V	36	00412263	V	21	00811419	XII	—	00840014	XI	31	15017006	X	13
00412124	V	35	00412264	V	28	00811420	XII	19	00840015	XI	37	15017007	XI	13
00412126	V	27	00412265	V	32	00811421	XII	16	00840016	XI	34	15017008	XI	25
00412140	V	18	00412271	V	11	00811422	XII	14	00840017	XI	42	15017008	XII	37
00412148	V	14	00611011	VIII	55	00811423	XII	15	00840018	XI	28	15017009	XI	24
00412151	V	94	00611013	VIII	56	00831423	XII	65	00840019	XI	30	15017009	XII	36
00412181	V	16	00611015	VIII	51	00831424	XII	52	00840020	XI	40	15017011	XI	35
00412182	V	17	00611016	VIII	57	00831426	XII	44	00840021	XI	43	15017011	XII	72
00412188	V	3	00611017	VIII	58	00831437	XII	63	00840022	XI	54	15017012	XI	49
00412189	V	4	00611025	VIII	49	00831461	XII	51	00840023	XI	53	15017013	XI	50
00412191	V	8	00611026	VIII	49	00831462	XII	57	00840024	XI	41	15017014	XI	36
00412192	V	9	00611027	VIII	52	00831521	XII	64	00840025	XI	39	15017014	XII	74
00412193	V	10	00612107	VIII	60	00831522	XII	61	00840026	XI	59	15017016	XI	48
00412197	V	49	00613304	VIII	59	00831542	XII	43	00840027	XI	58	15017030	XI	12
00412198	V	47	00811223	XII	21	00831558	XII	49	02160110	IX	42	15017040	XI	51
00412199	V	46	00811288	XII	3	00831574	XII	39	08180142	XIII	64	15017070	XI	47
00412201	V	43	00811310	XII	7	00831579	XII	68	08180175	XIII	68	15022008	XIV	56
00412203	V	45	00811311	XII	2	00831593	XII	—	11110309	VIII	47	15022009	XIV	54
00412204	V	41	00811312	XII	12	00831594	XII	47	11110346	II	16	15022011	XIV	55

Lambretta 150 li

INDEX

Part. No.	Table	Fig.	Part. No.	Table	Fig.	Part. No.	Table	Fig.	Part. No.	Table	Fig.	Part. No.	Table	Fig.
15022012	VIII	9	15050049	XIII	50	15055070	XIII	8	15061019	VIII	43	15080007	X	5
15041024	I	42	15050052	XIII	62	15055180	XIII	10	15061021	VIII	42	15080008	X	4
15044002	IX	17	15050057	XIII	60	15055190	XIII	10	15061022	VII	5	15080010	X	—
15044005	IX	20	15050058	XIII	24	15057005	VII	15	15061024	VII	16	15080020	X	7
15044006	IX	19	15050059	XIII	23	15057007	VII	14	15061060	VIII	41	15080030	X	2
15044007	IX	50	15050060	XIII	51	15057008	VII	21	15062011	VIII	10	15080040	X	—
15044008	IX	24	15050061	XIII	61	15057009	VII	25	15062012	VIII	8	15081023	X	27
15044011	IX	23	15050062	XIII	58	15057010	VII	22	15062013	VIII	4	15081024	XI	69
15044014	IX	26	15050063	XIII	57	15057012	VII	23	15062014	VIII	19	15081029	XI	20
15044017	IX	46	15050064	XIII	56	15057020	VII	24	15062015	VIII	1	15081031	XI	19
15044018	IX	49	15050065	VII	32	15058020	VII	26	15062017	VIII	46	15081200	X	10
15044019	IX	45	15050066	XIII	28	15059003	XIV	18	15062030	VIII	12	15081250	XI	55
15044022	IX	31	15050068	XIII	31	15059004	XIV	39	15063003	VIII	29	15082001	XI	22
15044023	IX	4	15050069	XIII	76	15059005	XIV	38	15063004	VIII	3	15082020	XI	6
15044024	IX	10	15050069	XV	21	15059006	XIV	40	15063005	VIII	28	15082050	X	23
15044028	IX	37	15050071	XV	20	15059009	XIV	7	15065004	XIV	27	15083001	XIII	6
15044032	IX	40	15050160	XV	19	15059010	XIV	41	15065005	XIV	26	15083002	XIII	4
15044036	IX	33	15055015	XV	4	15059012	XIV	30	15065006	XIV	3	15083003	X	22
15044038	IX	11	15055021	VII	11	15059013	XIV	16	15065007	XIV	25	15083004	X	19
15044039	IX	38	15055033	VII	2	15059014	XIV	17	15065008	XIV	23	15083006	X	21
15044040	IX	2	15055040	VII	1	15060014	VIII	75	15065009	XIV	20	15086006	XIII	16
15044041	IX	36	15055042	XIII	83	15060015	VIII	80	15070012	V	56	15086007	XIII	12
15044042	IX	39	15055043	XIII	84	15060016	VIII	68	15070013	V	52	15086008	XIII	14
15044043	IX	43	15055044	XIII	81	15060020	VIII	61	15070014	V	53	15086009	XIII	22
15044044	IX	32	15055045	XIII	82	15060021	VIII	66	15070015	V	57	15086010	XIII	18
15044050	IX	48	15055046	XIII	86	15060028	VIII	62	15070019	V	59	15086011	XIII	17
15044070	IX	27	15055047	XIII	85	15060039	XIII	40	15070020	V	51	15086012	XIII	15
15044100	IX	22	15055050	VII	8	15060070	VIII	78	15070021	V	55	15086015	XIII	20
15044110	IX	15	15055055	XIII	77	15060100	VIII	70	15070040	V	54	15086016	XIII	19
15044130	IX	30	15055056	VII	7	15060160	XIII	37	15071002	VII	13	15086017	XIII	16
15050021	VII	30	15055057	XIII	1	15061005	VIII	37	15071004	V	72	15086059	XV	32
15050031	VII	33	15055059	VII	3	15061006	VIII	33	15080001	X	9	15086061	XV	25
15050033	V	1	15055060	VII	6	15061008	VIII	14	15080002	X	11	15086062	XV	26
15050034	V	2	15055061	VII	12	15061009	VIII	13	15080003	X	3	15086063	XV	30
15050046	XIII	49	15055063	XIII	11	15061011	VIII	17	15080005	X	8	15086066	XV	28
15050047	XIII	46	15055064	XIII	80	15061018	VIII	44	15080006	X	6	15086210	XV	31



Part. No.	Table	Fig.	Part. No.	Table	Fig.	Part. No.	Table	Fig.	Part. No.	Table	Fig.	Part. No.	Table	Fig.
15086220	XV	27	19011002	I	30	19014030	VI	7	19020070	III	24	19030034	IV	12
15086230	XV	29	19011003	I	29	19015030	XIV	14	19020080	III	13	19030035	I	14
15087002	VIII	50	19011004	V	77	19016014	V	85	19020090	III	—	19030036	IV	34
15088001	VIII	18	19011005	V	78	19016015	V	86	19021001	III	35	19030037	IV	2
15088002	VIII	32	19011006	I	26	19016060	V	64	19021002	III	33	19030038	I	8
15088003	VIII	16	19011007	I	27	19016080	V	66	19021004	III	38	19030039	I	7
15088004	VIII	20	19011008	I	34	19016100	V	68	19021006	III	36	19030040	I	6
15088005	VIII	22	19011009	V	79	19017002	XI	60	19021007	III	37	19031001	IV	41
15088010	VIII	21	19011010	I	28	19017002	XII	17	19022007	XIV	19	19031002	IV	45
19010003	I	39	19011011	V	78	19017014	XI	29	19022010	XIV	50	19031003	XIV	61
19010004	VI	1	19011012	I	26	19017014	XII	73	19022014	XIV	11	19031004	XIV	53
19010006	I	3	19011013	I	27	19017015	XI	61	19022015	XIV	42	19031006	XIV	52
19010007	I	33	19012006	II	4	19017015	XII	18	19022020	XIV	49	19031007	IV	27
19010008	I	2	19012007	II	5	19017016	XI	48	19030001	IV	46	19031008	IV	29
19010009	I	24	19012008	II	2	19018001	V	95	19030002	IV	28	19031012	XIV	60
19010011	I	5	19012009	II	8	19018003	V	97	19030003	IV	23	19031013	III	39
19010012	I	25	19012010	II	1	19018010	V	96	19030004	IV	24	19031013	IV	40
19010013	I	35	19012011	II	9	19018019	V	104	19030005	IV	25	19031014	IV	43
19010014	I	35	19012013	III	29	19018023	V	100	19030006	IV	26	19031015	III	31
19010015	VI	2	19012015	III	22	19018060	V	102	19030007	III	23	19031015	IV	39
19010016	IV	5	19012016	III	21	19018070	V	98	19030014	IV	15	19031015	IX	5
19010019	I	17	19012017	III	26	19018080	V	—	19030015	IV	20	19031016	IV	37
19010020	I	40	19012024	II	15	19020001	III	3	19030016	IV	18	19031017	XIV	45
19010022	I	16	19012025	II	15	19020005	III	6	19030017	IV	19	19032001	XIV	13
19010026	I	10	19012026	II	15	19020006	III	1	19030018	IV	13	19032003	XIV	62
19010027	I	15	19012027	II	15	19020007	III	2	19030019	IV	35	19032005	XIV	58
19010028	I	21	19012028	III	27	19020008	III	4	19030020	IV	21	19032007	XIV	57
19010029	I	38	19012029	III	28	19020015	III	15	19030021	I	13	19032008	XIV	10
19010030	I	18	19012031	II	6	19020016	III	30	19030023	IV	22	19032016	XIV	47
19010035	I	20	19012033	II	10	19020018	III	12	19030025	I	45	19032024	XIV	15
19010036	I	19	19012050	II	14	19020021	III	11	19030026	I	44	19032050	XIV	48
19010040	I	1	19012060	II	14	19020022	III	16	19030027	IV	6	19032060	XIV	51
19010044	I	9	19012070	II	14	19020023	III	7	19030028	IV	4	19041021	III	20
19010050	I	46	19012080	II	14	19020025	III	8	19030029	IV	1	19041022	III	17
19010120	I	22	19014003	VI	5	19020040	III	9	19030031	IV	7	19041060	III	19
19010130	I	43	19014020	VI	8	19020050	III	10	19030032	IV	36	19041090	III	25



Lambretta 150 li

INDEX

Part. No.	Table	Fig.	Part. No.	Table	Fig.	Part. No.	Table	Fig.	Part. No.	Table	Fig.	Part. No.	Table	Fig.
19044034	IX	28	19058004	VII	29	19071009	V	74	70360412	VIII	5	71480412	X	12
19044037	IX	34	19058005	VII	28	19071010	V	87	70360510	VII	19	71480418	XV	3
19044060	IX	29	19058007	VII	27	19071020	V	71	70360512	XIV	21	71480612	VIII	27
19044140	IX	44	19058010	VII	38	19081021	XI	7	70360514	V	99	71670812	VII	4
19045002	IX	3	19058040	VII	18	19081032	XI	21	70360514	XIII	43	72000005	V	101
19045004	IX	6	19059001	XIV	2	19081170	XI	4	70360516	V	60	72000005	XII	32
19045012	IX	16	19059002	XIV	4	19081180	XI	8	70360608	VIII	76	72000006	I	11
19045030	IX	1	19059003	XIV	1	19081220	XI	65	70360614	III	18	72000006	VI	4
19045060	IX	12	19059004	XIV	6	19081240	XI	66	70360616	IV	17	72000006	XI	57
19050053	XIII	75	19059005	XIV	5	19081270	XI	52	70360616	XIV	43	72000007	IV	8
19050054	XIII	27	19059006	XIV	46	19081280	XI	16	70360618	IV	31	72000008	I	32
19050083	XIII	41	19059011	XIV	8	19082130	X	28	70360814	VI	9	72030004	XI	1
19050086	XIII	32	19059019	IX	8	19083005	X	14	70360818	V	103	72030004	XI	27
19050090	XIII	30	19059021	IX	7	19083010	X	—	70360822	XV	5	72030004	XII	34
19050091	XIII	52	19059030	XIV	12	19083020	X	15	70360825	VII	31	72030004	XIII	67
19050092	XIII	54	19060010	VIII	63	19083030	X	18	70450620	IV	44	72030004	XV	2
19050093	XIII	53	19060017	VIII	71	19083040	X	20	70850412	XI	15	72030005	V	62
19050096	XIII	70	19060023	VIII	64	19086240	XV	24	70850612	XI	32	72030005	VIII	40
19050098	XIII	69	19060030	VIII	65	19090001	XV	17	70850612	XII	69	72030005	X	26
19050200	XV	18	19060050	VIII	72	19090002	XV	17	70880318	VIII	54	72030005	XIII	2
19050210	VII	9	19060060	VIII	79	40010146	X	1	70880430	XI	18	72030006	XI	10
19050270	XIII	26	19060090	VIII	67	40770228	VII	17	70910308	XI	62	72030006	XIII	39
19050280	XIII	25	19061020	VIII	48	61020010	XV	23	70910416	XIII	55	72030008	VII	35
19050290	XIII	73	19061030	VIII	15	61020011	XV	23	70910420	V	65	72030008	XV	8
19050300	XIII	74	19062002	VIII	24	61050016	XV	22	70910514	XIII	9	72060007	I	47
19055014	XV	2	19062010	VIII	45	61050018	XV	22	71013510	XI	67	72060008	V	105
19055049	XV	9	19062016	VIII	23	70300418	XI	23	71160305	X	16	72070010	XIV	32
19055051	XV	12	19062018	VIII	25	70300418	XII	38	71180425	XI	44	72070012	VIII	73
19055068	XV	15	19063001	VIII	26	70300518	XIII	5	71300518	XIII	59	72070012	IX	25
19055069	XV	14	19063002	VIII	11	70300520	XIII	45	71300616	II	3	72070016	VII	37
19055090	XIII	21	19065030	XIV	29	70300620	XIII	35	71420409	XIII	44	73010032	X	17
19055100	XIII	71	19065040	XIV	28	70300622	XI	45	71420514	XIII	29	73010032	XI	64
19055250	XV	16	19070010	V	58	70300622	XII	29	71420614	XIII	78	73010032	XII	20
19055260	XV	1	19071006	V	76	70300738	IV	10	71450425	XIII	63	73010043	VIII	7
19055280	XV	13	19071007	V	70	70330650	XIII	36	71450542	VIII	36	73010053	VIII	38
19055300	XV	1	19071008	V	69	70360410	XI	5	71480410	XIII	42	73010053	XIII	7

Part. No.	Table	Fig.	Part. No.	Table	Fig.	Part. No.	Table	Fig.	Part. No.	Table	Fig.	Part. No.	Table	Fig.
73010064	IV	33	73260005	IV	42	83100004	XI	14	83100010	IV	11	83120006	XIII	34
73010064	XI	33	73260006	IV	32	83100004	XV	10	83100010	XIV	31	83120008	VII	34
73010064	XII	71	73260010	III	34	83100005	V	61	83100014	III	14	83120008	XV	7
73010064	XIII	33	73260010	IX	9	83100005	VIII	2	83100016	I	23	83120010	VIII	34
73020043	XI	3	73260010	XIV	59	83100005	X	25	83100016	VII	36	83120012	VIII	74
73020053	X	24	73260012	III	32	83100006	I	12	83100016	IX	13	83120016	V	82
73030084	XV	6	73260012	IV	38	83100006	IV	16	83110003	XI	63	83120035	XI	68
73060043	XIII	65	73260012	IX	35	83100006	VI	3	83110004	VIII	6	83130006	XIII	79
73150105	VIII	35	73260012	XIV	35	83100006	XI	46	83110005	VIII	39	85801602	I	41
73170043	XI	2	73260020	IV	3	83100006	XII	30	83120003	VIII	53	86011622	I	37
73170053	VI	6	74400228	V	75	83100006	XIII	48	83120004	XI	26	87020006	I	4
73170053	XII	66	74400330	XIII	72	83100006	XIV	44	83120004	XII	35	87020006	VIII	69
73170064	XI	56	74401522	XIV	34	83100007	I	48	83120004	XIII	66	87020006	IX	41
73170064	XIII	38	74850465	II	11	83100007	IV	9	83120005	VII	20	87020006	XIV	36
73250016	II	13	75330308	VII	10	83100007	V	80	83120005	XIII	3	87020008	IX	18
73250018	IV	14	75400414	III	5	83100007	XIV	9	83120005	XIV	22	87200008	XI	17
73250032	IX	21	78920516	IV	30	83100008	I	31	83120006	VIII	77	99094416	IX	47
73250042	IV	48	83010601	XIV	33	83100008	VI	10	83120006	XI	9			
73250046	II	7	83011201	XIV	37	83100008	IX	14	83120006	XII	70			

NORGES SCOOTER-FORBUND

Lambretta 125 li

**Improvements and
variation to the
spare parts catalogue**



JULY 1958

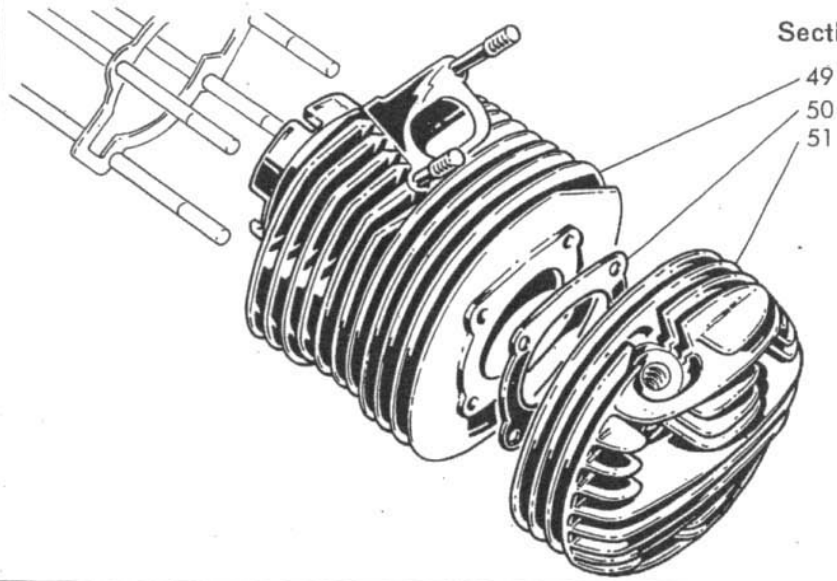


Lambretta 125 li

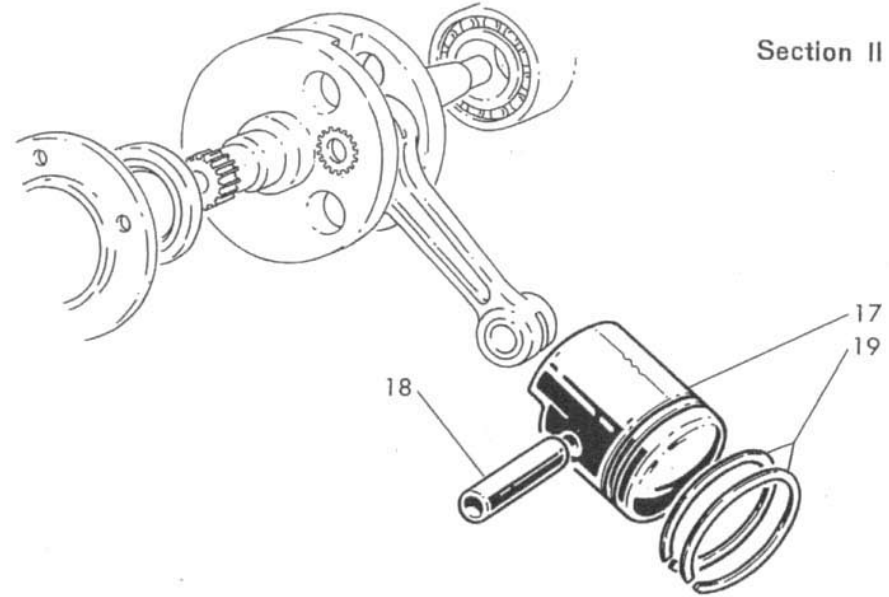
Fig. No.	Part. No.	Description	Quantity	Fig. No.	Part. No.	Description	Quantity
VARIATIONS TO SECTION I				VARIATIONS TO SECTION IV			
49	19111010	Cylinder, with studs at fig. 6-7-8	1	49	19130014	Layshaft, 1st gear	1
50	19111003	Gasket, cylinder head	1	50	19130015	Layshaft, 2nd gear	1
51	19111002	Head, cylinder	1	51	19130016	Layshaft, 3rd gear	1
VARIATIONS TO SECTION II				52	19130017	Layshaft, 4th gear	1
				53	19130013	Main gear group	1
VARIATIONS TO SECTION III				VARIATIONS TO SECTION V			
17	19112050	Piston, standard 52 Ø	1	—	00412267 4448	Carburettor, MA 18 BS 5 (without air filter)	1
	19112060	Piston, oversize 52.2 Ø	—	106	00412270 2265	Needle, D 16	1
	19112070	Piston, oversize 52.4 Ø	—	107	00412269 4418	Air slide, 50	1
	19112080	Piston, oversize 52.6 Ø	—	108	00412268 1488	Pilot jet, 35	1
18	11110362	Gudgeon pin, standard 16 Ø	1	109	00412266 1486	Main jet, 92	1
	11110363	Gudgeon pin, oversize 16.1 Ø	—				
	11110364	Gudgeon pin, oversize 16.2 Ø	—				
19	19112024	Piston ring, standard 52 Ø	2				
	19112025	Piston ring, oversize 52.2 Ø	—				
	19112026	Piston ring, oversize 52.4 Ø	—				
	19112027	Piston ring, oversize 52.6 Ø	—				

CYLINDER - PISTON - GEAR BOX - CARBURETTOR

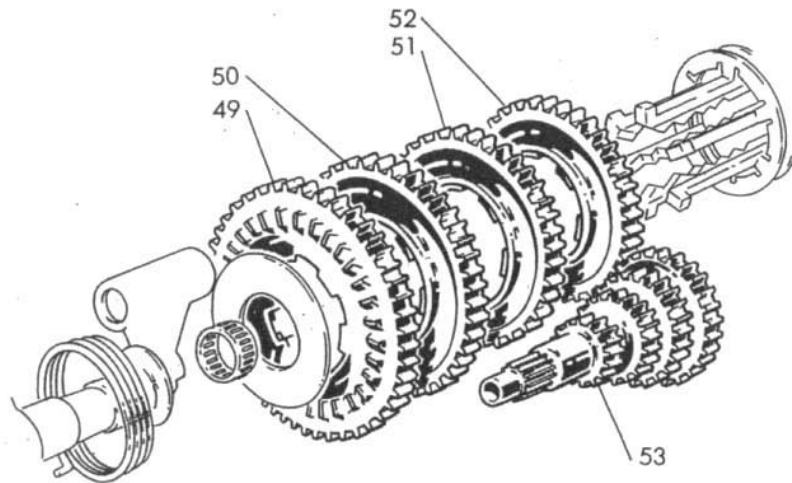
Section I



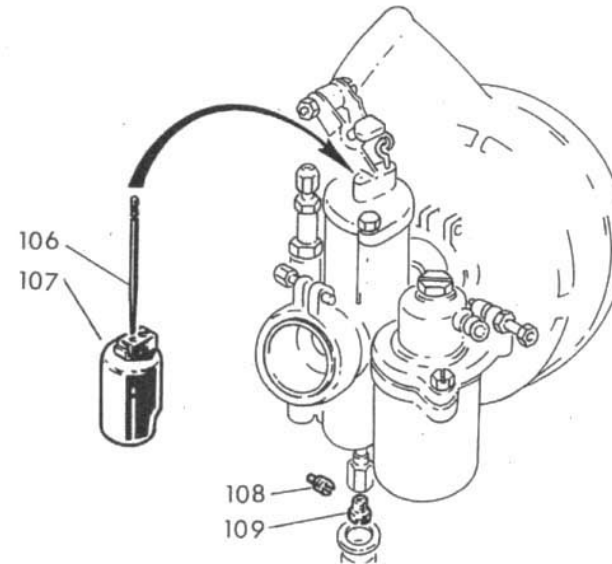
Section II



Section IV



Section V



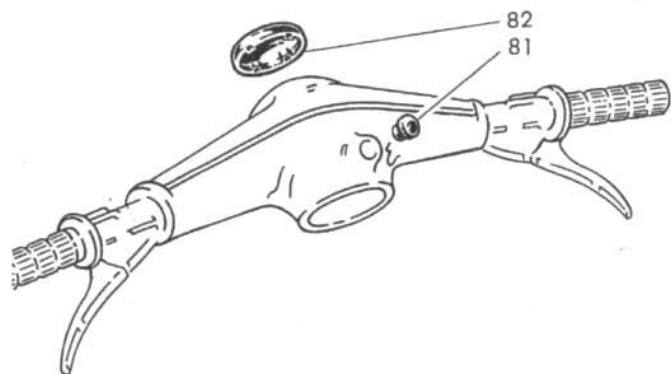
INNOCENTI

Lambretta 125 li

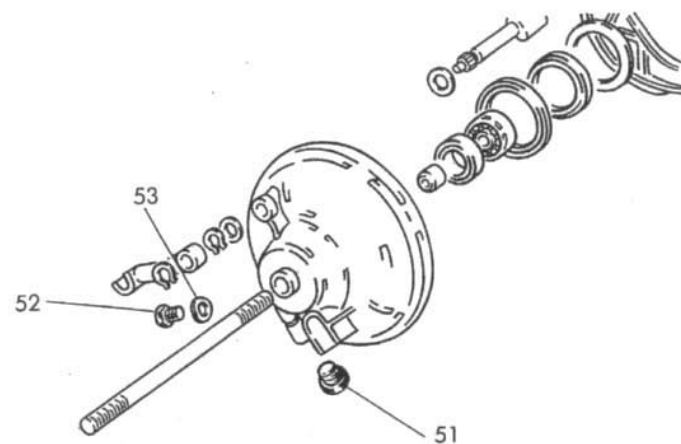
Fig. No.	Part. No.	Description	Quantity
VARIATIONS TO SECTION VIII			
81	19161016	Plug, for steering lock seat	1
82	19161017	Cover, for speedometer seat	1
VARIATIONS TO SECTION IX			
51	19144045	Plug, for speedometer drive housing	1
52	70360608	Plug screw, for greaser housing	1
53	83100006	Spring washer, for screw at fig. 52	1
VARIATIONS TO SECTION X AND XI			
29	19180020	Headlamp, complete	1
30	19180030	Lampholder	1
31	07010146	Bulb, city-light 12 V. 10 W.	1
66	19181230	Headlamp switch, with cables	1

HANDLEBAR - FRONT WHEEL - ELECTRICAL EQUIPMENT

Section VIII



Section IX



Section X and XI

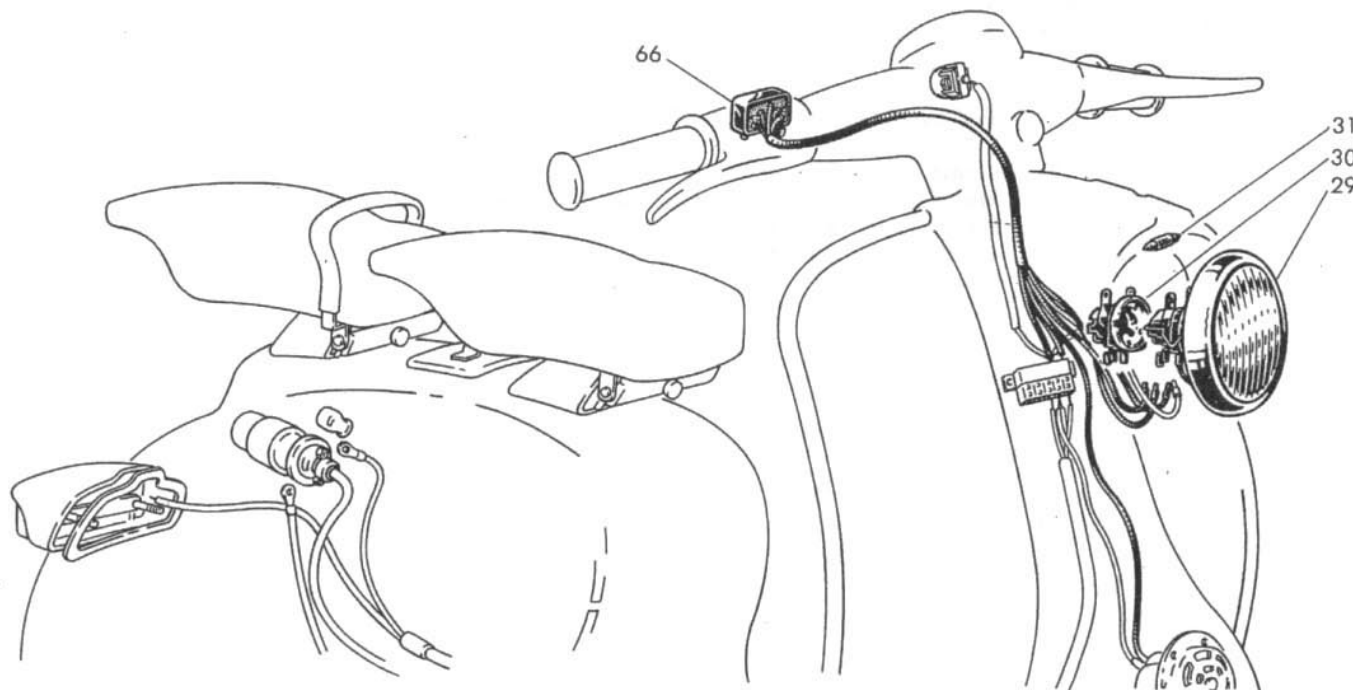
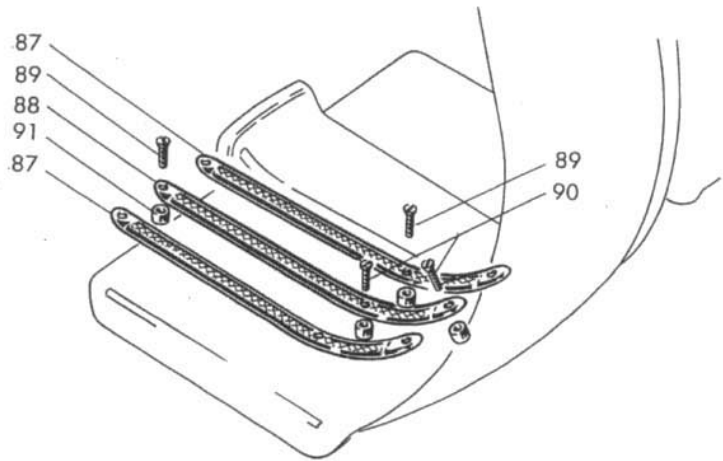
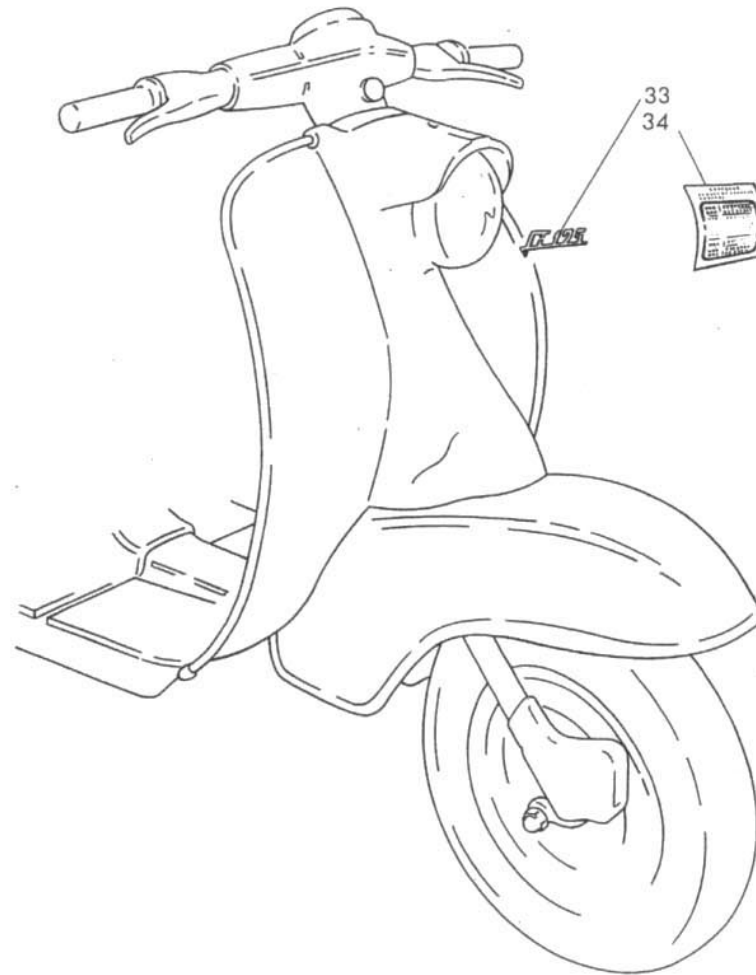


Fig. No.	Part. No.	Description	Quantity
VARIATIONS TO SECTION XIII			
87	19150101	Strip, inner and outer for footboard	4
88	19150102	Strip, intermediate, for footboard	2
89	71450422	Screw, for fixing strips	10
90	71420416	Screw, for fixing strips	8
91	05180147	Antivibration spacer	18
VARIATIONS TO SECTION XV			
33	19150200	Name plate, for legshield	1
34	19190001	Transfer, for running instruction (in Italian, French and Spanish language)	1
	19190002	Transfer, for running instruction (in English language)	1

Section XIII



Section XV



INNOCENTI

SOC. GENERALE PER L'INDUSTRIA METALLURGICA E MECCANICA

NEW YORK

MILANO

PARIGI

PROP. 2038/ING. - 7.58

B. ULLMANN & CO. MILANO - PRINTED IN ITALY

scooterhelp.com

