

**Lambretta 150 d/Ld/Ld electric starter**  
**125 Ld derived**

**Spare  
 Parts  
 Catalogue**



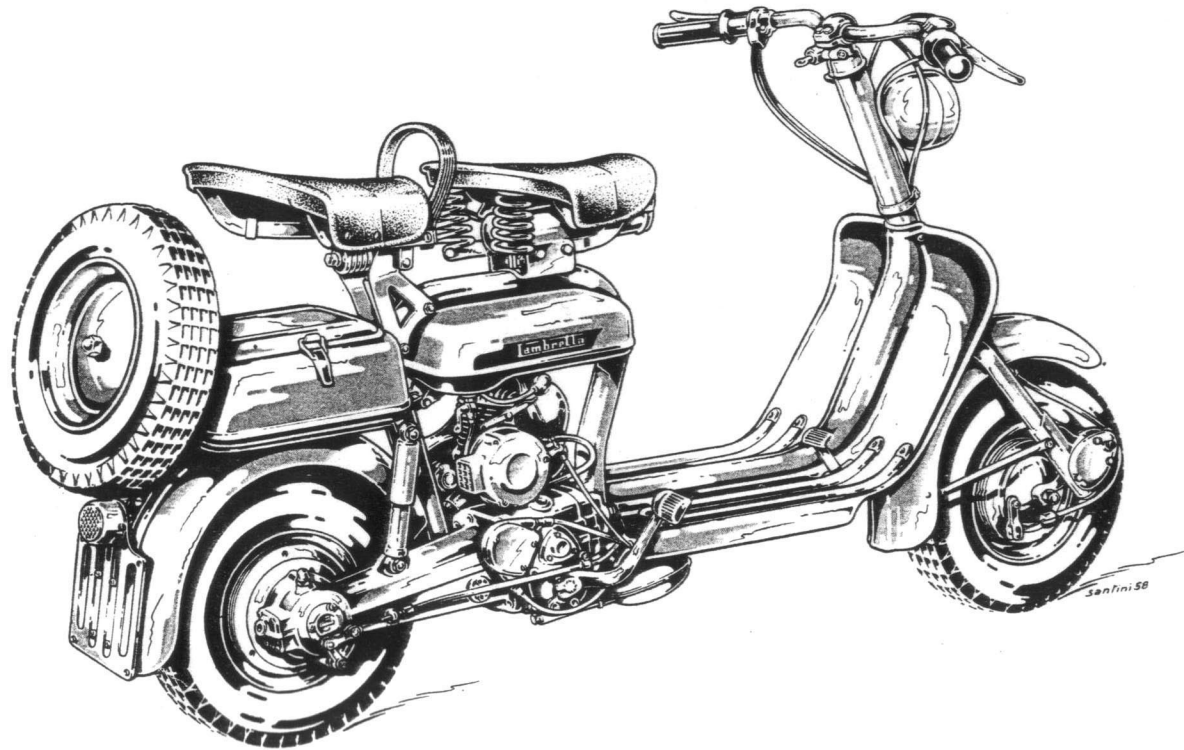
**INDEX  
 OF  
 SECTION**

Cylinder crankcase and transmission case	II
Crankshaft and piston	III
Clutch	IV
Gear box components	V
Transmission and rear axle components	VI
K/start solution (11 M 400 11 M 400/1 - 11 M 400/2)	VII
K/start solution (11 M 400/4 - 11 M 400/6)	VIII
Epicyclical starter	IX
Fuel tank and carburetors	X
Exhaust silencers components	XI
Cooling	XII
Frames and suspensions	XIII
Handlebar and fork components	XIV
Wheels and brakes	XV
Electrical equipments (D/LD 1956 LD/1956 electric starter)	XVI
Electrical equipments (LD/1957 LD/1957 electric starter)	XVII
Electric starter	XVIII
Flywheel magneto « Filso » and « Marelli »	XIX
Panel and frame components	XX
Cables and controls	XXI
Accessories	XXII

scooterhelp.com



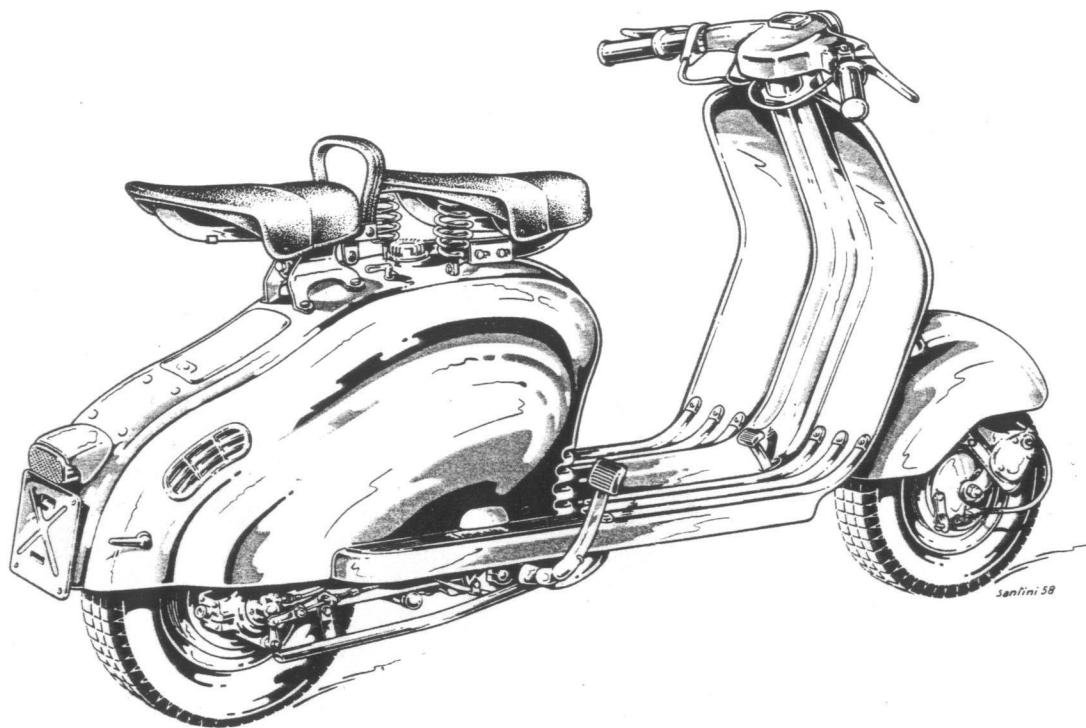
# Lambretta 150 J



[scooterhelp.com](http://scooterhelp.com)



# Lambretta 150 ld

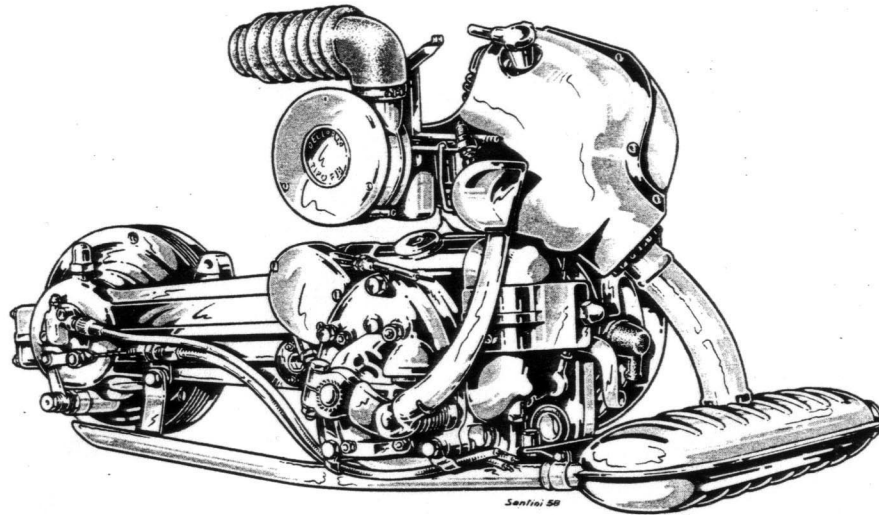


INNOCENTI

[scooterhelp.com](http://scooterhelp.com)



# ENGINE ASSEMBLY



[scooterhelp.com](http://scooterhelp.com)





## WARNING !!!

This catalogue cancels and substitutes all previous publications concerning the following « Lambretta » models:

150 D-LD - LD electric starter  
125 LD derived

} Productions 1955 - 1956 - 1957 - 1958



Fig. No.	Part No.	Description	Quantity
1	11110104	Nut, cylinder head	4
2	73010074	Plain washer, for nuts at fig. 1	4
3	11110221	Head, cylinder (LD/125)	1
	11110202	Head, cylinder (LD/150)	1
4	11110203	Gasket, cylinder head (D-LD/150)	1
	11110222	Gasket, cylinder head (LD/125)	1
5	11110201	Cylinder (D-LD/150)	1
	11110220	Cylinder (LD/125)	1
6	11110103	Gasket, cylinder base	1
7	11110106	Stud, cylinder head (standard)	4
	11110141	Stud, cylinder head (oversize)	—
8	11111012	Crankcase, complete with figs. 7 - 20 - 81 - 83	1
	11111014	Crankcase, complete with figs. 7 - 20 - 29 - 31 81 - 83	1
	12111012	Crankcase (epicyclical starter), complete with figs. 7 - 19 - 20 - 30 - 81 - 83	1
9	07060159	Gasket, clutch cover	1
10	07110150	Spindle, for engine oscillation	1
11	15010020	Silent-block, for engine oscillation	2
12	07110151	Cone, locking spindle	2
13	02110110	Plain washer, for screws at fig. 15	5
14	02110111	Spring washer, for screws at fig. 15	5
15	71060625	Screw, for fixing clutch cover	5
16	07060121	Cover, clutch	1
17	14010014	Gasket, for oil level plug	1
18	14010013	Plug, oil level <i>I.D.N.F. JUNE 80</i>	1
19	12110434	Stud, long, for fixing epicyclical starter cover	1
20	11180444	Stud, fixing silencer	1
21	73170064	Spring Washer, for nut at fig. 22	1
22	72030006	Nut, fixing silencer	1
23	07110152	Thrust Washer, for spindle	1
24	72070018	Nut, for spindle <i>M18x1.5 JUNE 80</i>	1
25	86011622	Gasket, for drain plug	1
26	85801602	Plug, oil drain	1
27	06110124	Bush, layshaft	1
28	11110121	Locating screw, for crankcase/transmission case	1
29	11110485	Stud, short, fixing k/start cover	1

Fig. No.	Part No.	Description	Quantity
30	70060838	Stud, short, fixing epicyclical starter cover	1
31	11110486	Stud, long, fixing k/start cover	1
32	86012836	Gasket, for rear bevel couple checking plug	1
	86012432	Gasket, for rear bevel couple checking plug	1
33	85802801	Plug, for checking rear bevel couple	1
	85802401	Plug, for checking rear bevel couple	1
34	11331017	Transmission case, complete with figs. 27 - 35 - 45 - 46 - 67 - 80	1
35	11330111	Stud, gear selector lever	2
36	71060620	Screw, for fixing transmission case/crankcase	4
37	02110111	Spring washer, for screw at fig. 36	4
38	02110110	Plain washer, for screw at fig. 36	4
39	02110114	Screw, for fixing transmission case/crankcase	4
40	02110116	Spring washer, for screw at fig. 39	4
41	02110115	Plain washer, for screw at fig. 39	4
42	72000008	Nut, for screw at fig. 28	1
43	73170084	Spring washer, for screw at fig. 28	1
44	73030084	Plain washer, for screw at fig. 28	1
45	15010090	Breather	1
46	86011622	Gasket, for breather	1
47	85801602	Plug, oil filler	1
48	86011622	Gasket, oil filler plug	1
49	71420412	Screw, (countersunk) for fixing end cover	4
	70360414	Screw, (hexagonal) for fixing end cover	4
50	73170043	Spring washer, for screw at fig. 49	4
51	73030043	Plain washer, for screw at fig. 49	4
52	07330105	End cover, transmission case	1
53	07330108	Gasket, for end cover	1
54	07330109	Gasket, for cover plate	1
55	71420512	Screw, for fixing cover plate	3
56	07330103	Cover plate	1
57	73260012	Circlip, for locking brake shoe	1
58	07330337	Pin, rear brake shoe	1
59	73170084	Spring washer, for fig. 58	1
60	73030084	Plain washer, for fig. 58	1
*61	07331016	Back plate, (∅ mm. 160) with studs at fig. 79	1
	11331016	Back plate, (∅ mm. 151) with studs at fig. 79	1

\* See instruction to Section XIV - Fig. 25.



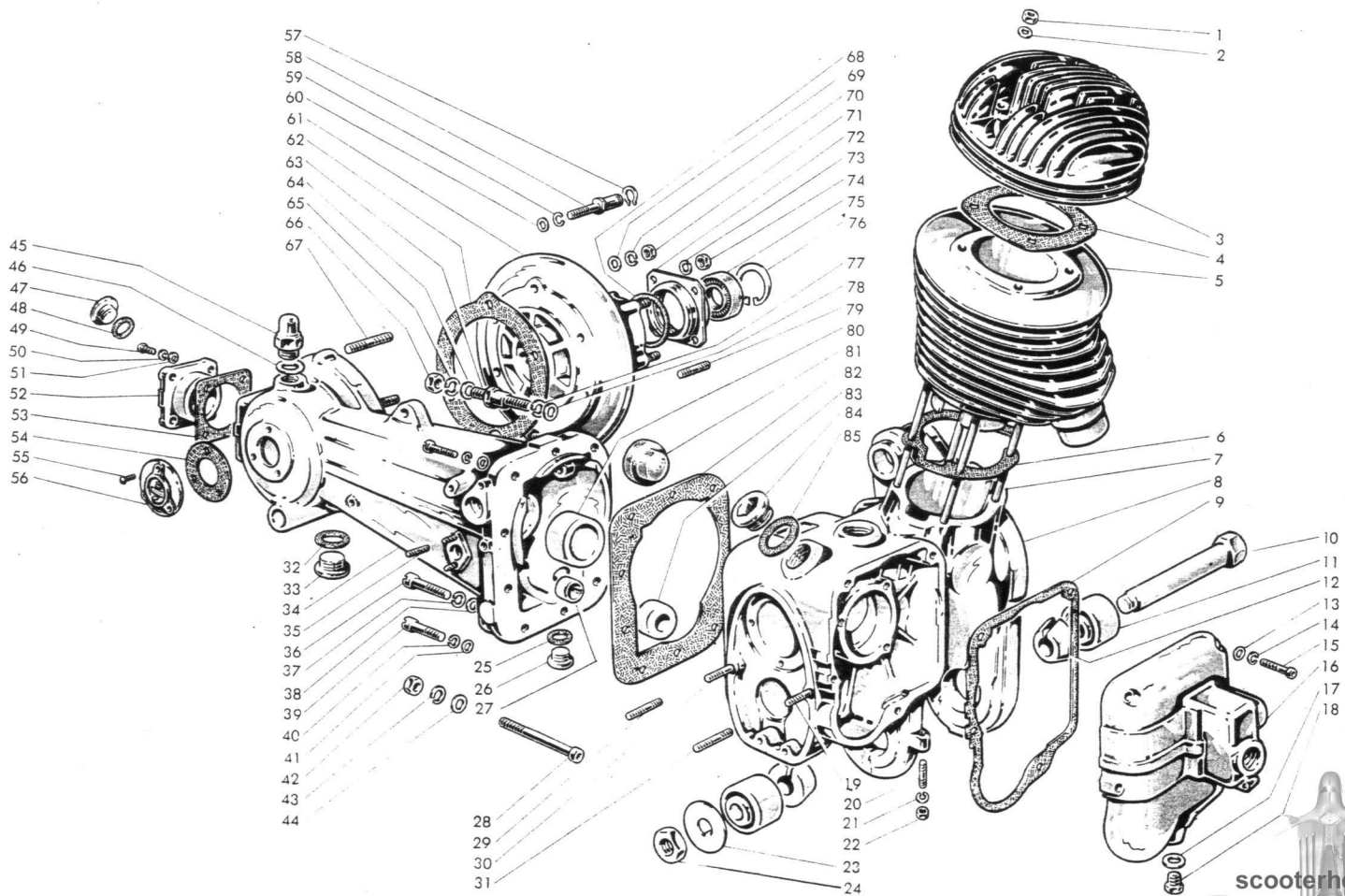


Fig. No.	Part No.	Description	Quantity	Fig. No.	Part No.	Description	Quantity
62	07330323	Gasket, rear wheel back plate	1	75	99094308	Oil seal, (22 x 40 x 7) stub axle bearing <b>JULY '80</b>	1
63	08010534	Attaching screw, for engine earth wire	1	76	73250040	Circlip, retaining oil seal	1
64	73010064	Plain washer, for screw at fig. 63	1	77	02110111	Spring washer, for screw at fig. 63	1
65	73170064	Spring washer, for screw at fig. 63	1	78	02110110	Plain washer, for screw at fig. 63	1
66	72030006	Nut, for screw at fig. 63	1	79	99094311	Stud, for fixing end plate	4
67	07330110	Stud, for locking rear back plate	4	80	07330107	Bush, for needle	1
68	99094356	Seal ring, for back plate	1	81	07111016 11110127	Rebound buffer, for crankcase 11111012/11111014	1
69	73030084	Plain washer, for nut at fig. 71	4			82	12110102
70	73170084	Spring washer, for nut at fig. 71	4	83	06110124 11110126	Gasket, crankcase/transmission case	1
71	72030008	Nut, for studs at fig. 67	4			84	85802801
72	99094309	End plate, stub axle bearing	1	85	86012836	Bush, for layshaft (for crankcase 12111012) <b>JUNE '80</b>	1
73	73170064	Spring washer, for nut at fig. 74	4			84	85802801
74	72060006	Nut, for studs at fig. 79	4	85	86012836	Gasket, oil filler plug	2



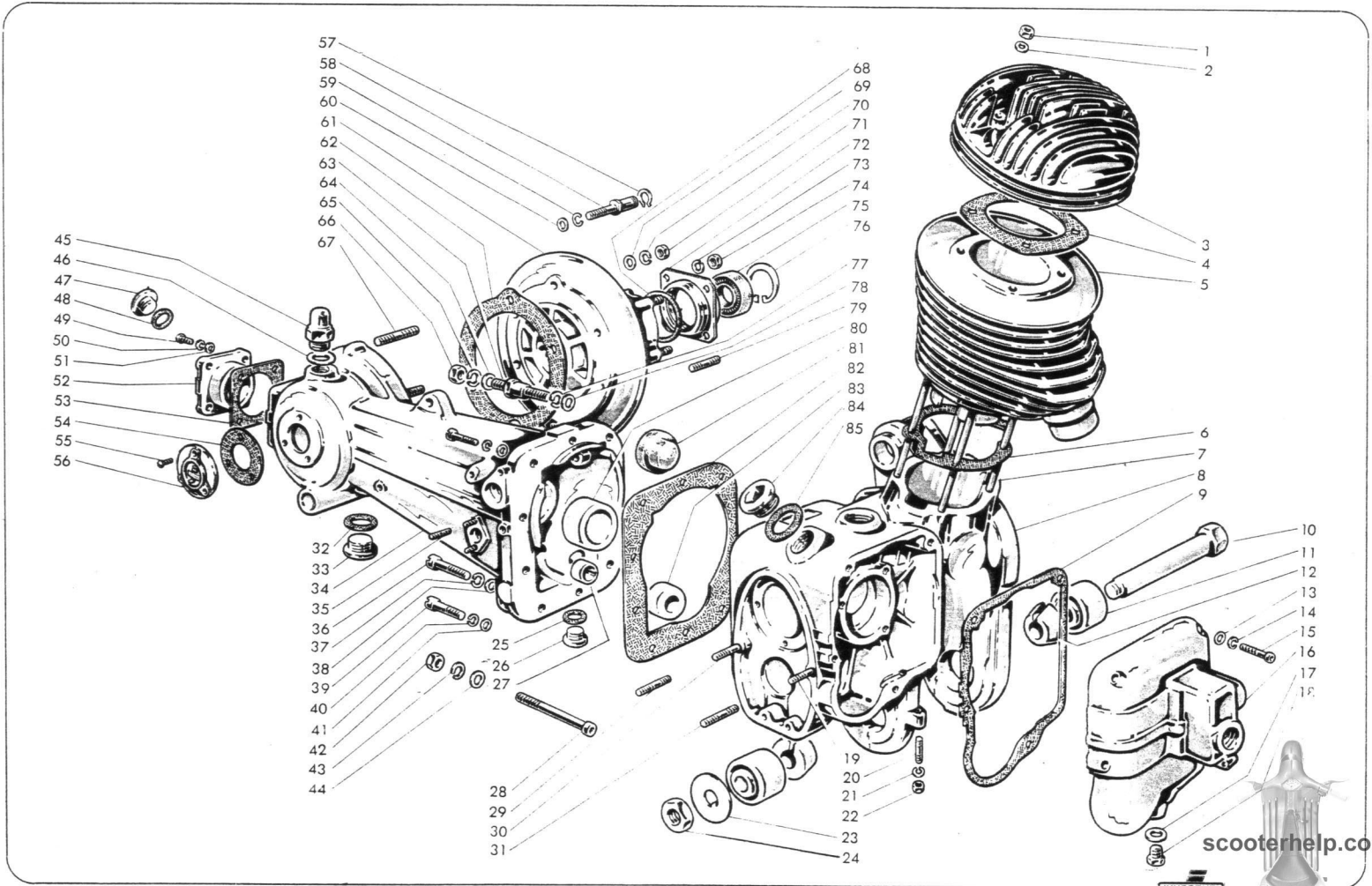


Fig. No.	Part No.	Description	Quantity	Fig. No.	Part No.	Description	Quantity		
1	99091208	Piston ring, standard $\varnothing$ 52	(LD/125) 2	6	11111306	Piston, standard $\varnothing$ 52 (for gudgeon pin $\varnothing$ 16)	(LD/125) 1		
	99091239	Piston ring, oversize $\varnothing$ 52,2			11111326	Piston, oversize $\varnothing$ 52,2 (for gudgeon pin $\varnothing$ 16)			
	99091241	Piston ring, oversize $\varnothing$ 52,4			11111327	Piston, oversize $\varnothing$ 52,4 (for gudgeon pin $\varnothing$ 16)			
	99091242	Piston ring, oversize $\varnothing$ 52,6				11111328		Piston, oversize $\varnothing$ 52,6 (for gudgeon pin $\varnothing$ 16)	
2	11110324	Piston ring, standard $\varnothing$ 57	(LD/150) 3		7	11110362		Gudgeon Pin, standard $\varnothing$ 16	(LD/125) 1
	11110334	Piston ring, oversize $\varnothing$ 57,2				11110363		Gudgeon pin, oversize $\varnothing$ 16,1	
	11110335	Piston ring, oversize $\varnothing$ 57,4		11110364		Gudgeon pin, oversize $\varnothing$ 16,2			
	11110336	Piston ring, oversize $\varnothing$ 57,6		8	11110140	Nut, for locking flywheel side bearing	1		
3	11110323	Gudgeon pin, standard $\varnothing$ 14	(D-LD/150) 1		9	11110139	Thrust washer, for nut at fig. 8	1	
	11110332	Gudgeon pin, oversize $\varnothing$ 14,1			10	73250047	Circlip, retaining bearing	1	
	11110333	Gudgeon pin, oversize $\varnothing$ 14,2			11	11110351	Oil seal, (31 x 47 x 7) flywheel side	1	
	11110346	Gudgeon pin, standard $\varnothing$ 16		12	73250047	Circlip, retaining bearing	1		
4	11110347	Gudgeon pin, oversize $\varnothing$ 16,1	(D-LD/150-LD/125) 2	13	11110142	Spacer, flywheel side bearing	1		
	11110348	Gudgeon pin, oversize $\varnothing$ 16,2		14	11110309	Seal ring	1		
	5	73250014		Circlip, for gudgeon pin $\varnothing$ 14	(D-LD/150) 1	15	11110326	Ball bearing, main flywheel side	1
		73250016		Circlip, for gudgeon pin $\varnothing$ 16		16	11110351	Oil seal, (31 x 47 x 7)	1
5	11111026	Piston, standard $\varnothing$ 57 (for gudgeon pin $\varnothing$ 14)	(D-LD/150) 1	17	11110310	Key, woodruff, flywheel side	1		
	11111231	Piston, oversize $\varnothing$ 57,2 (for gudgeon pin $\varnothing$ 14)		18	73250047	Circlip, retaining bearing	1		
	11111236	Piston, oversize $\varnothing$ 57,4 (for gudgeon pin $\varnothing$ 14)		19	11110307	Thickness washer, flywheel side bearing	1		
	11111241	Piston, oversize $\varnothing$ 57,6 (for gudgeon pin $\varnothing$ 14)		20	—	Not supplied - Must be replaced with figs. 13 - 19	1		
	11111021	Piston, standard $\varnothing$ 57 (for gudgeon pin $\varnothing$ 16)		*21	11110351	Oil seal, (31 x 47 x 7) drive side bearing	1		
	11111022	Piston, oversize $\varnothing$ 57,2 (for gudgeon pin $\varnothing$ 16)		*22	73250047	Thickness washer, drive side bearing	1		
	11111023	Piston, oversize $\varnothing$ 57,4 (for gudgeon pin $\varnothing$ 16)		**23	11110316	Roller bearing, drive side	1		
	11111024	Piston, oversize $\varnothing$ 57,6 (for gudgeon pin $\varnothing$ 16)		24	73170053	Spring washer, for screw at fig. 25	3		
		25	70360514	Screw, fixing flange at fig. 34	3				
		26	11110326	Ball bearing, for crankshaft	1				
		27	11110318	Shim, for gear bevel pinion	1				
		28	07110340	Thrust washer, for nut at fig. 29	1				
		29	07110339	Nut, for locking gear bevel pinion	1				

\* These items have been replaced from the flange number 11111356 (see fig. 34) after machine:

Engine no. 39515 for D/150  
 Engine no. 167530 for LD/150  
 Engine no. 289206 for LD/125.

\*\* When it is required to replace the gear bevel couple on 150/D model (from engine number 5010 to 5853) and 150/LD (from engine number 105003 to 105487), the roller bearing 11110316 must be replaced with the double ball bearing 11110326 by boring the housing in the crankcase.



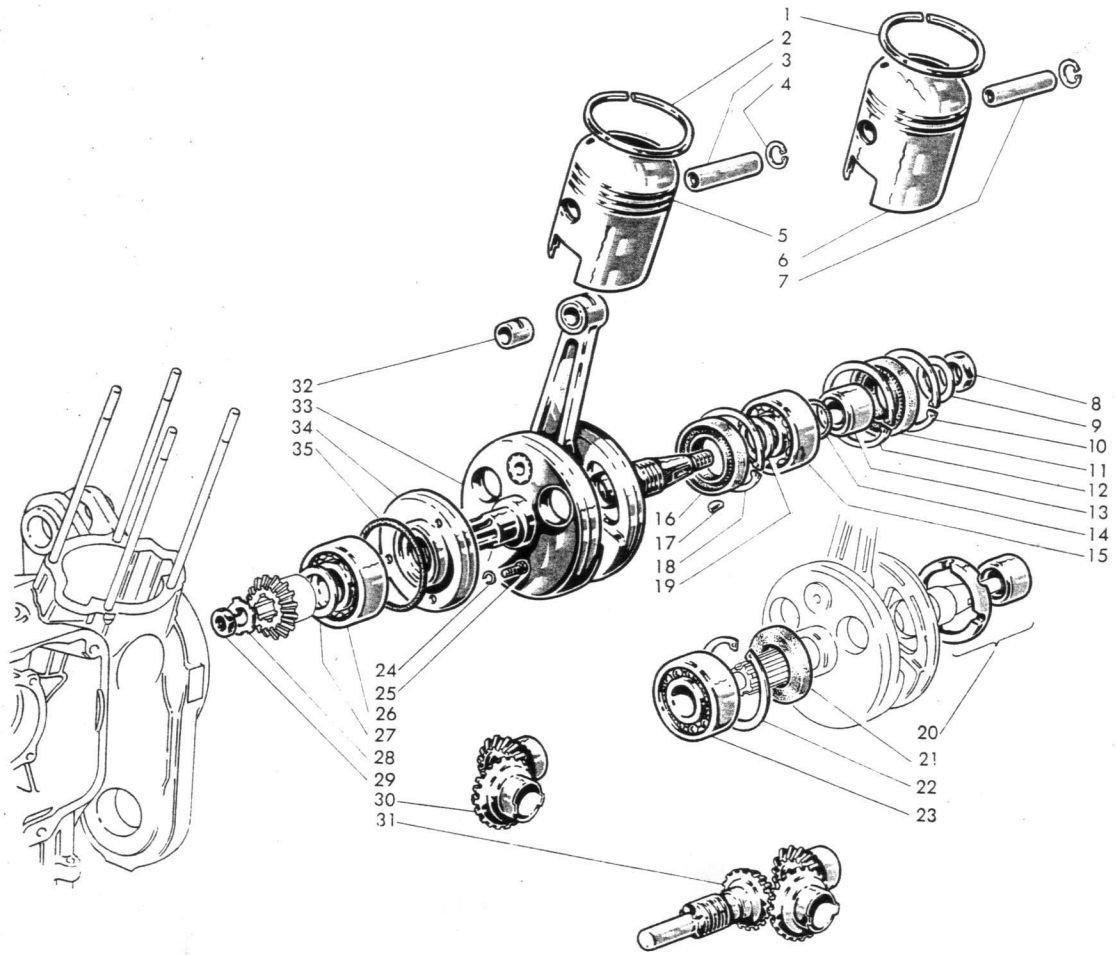


Fig. No.	Part No.	Description	Quantity	Fig. No.	Part No.	Description	Quantity
**30	11110000	Gear bevel couple (straight teeth Z = 19/26)	1	31	11110005	Reduced gear, (Z = 17/25)	1
	11110001	Gear bevel couple (helical teeth Z = 19/26)	—	32	11110354	Bush, small end (∅ 14)	1
	11110002	Gear bevel couple (coniflex teeth Z = 19/26) for epicyclical starter	—		15012008	Bush, small end (∅ 16)	1
	11110004	Gear bevel couple (straight teeth, reduced gear Z = 17/25) to couple with pinion number 40111246 or pinion 40111266	1	33	11111191	Crankshaft, complete with fig. 32	1
				34	11111356	Flange, with oil seal, for locking drive side bearing (please see *)	1
				35	11110342	Seal ring, for drive side bearing	1

\* These items have been replaced from the flange number 11111356 (see fig. 34) after machine:

Engine no. 39515 for D/150

Engine no. 167530 for LD/150

Engine no. 289206 for LD/125.

\*\* When it is required to replace the gear bevel couple on 150/D model (from engine number 5010 to 5853) and 150/LD (from engine number 105003 to 105487), the roller bearing 11110316 must be replaced with the double ball bearing 11110326 by boring the housing in the crankcase.





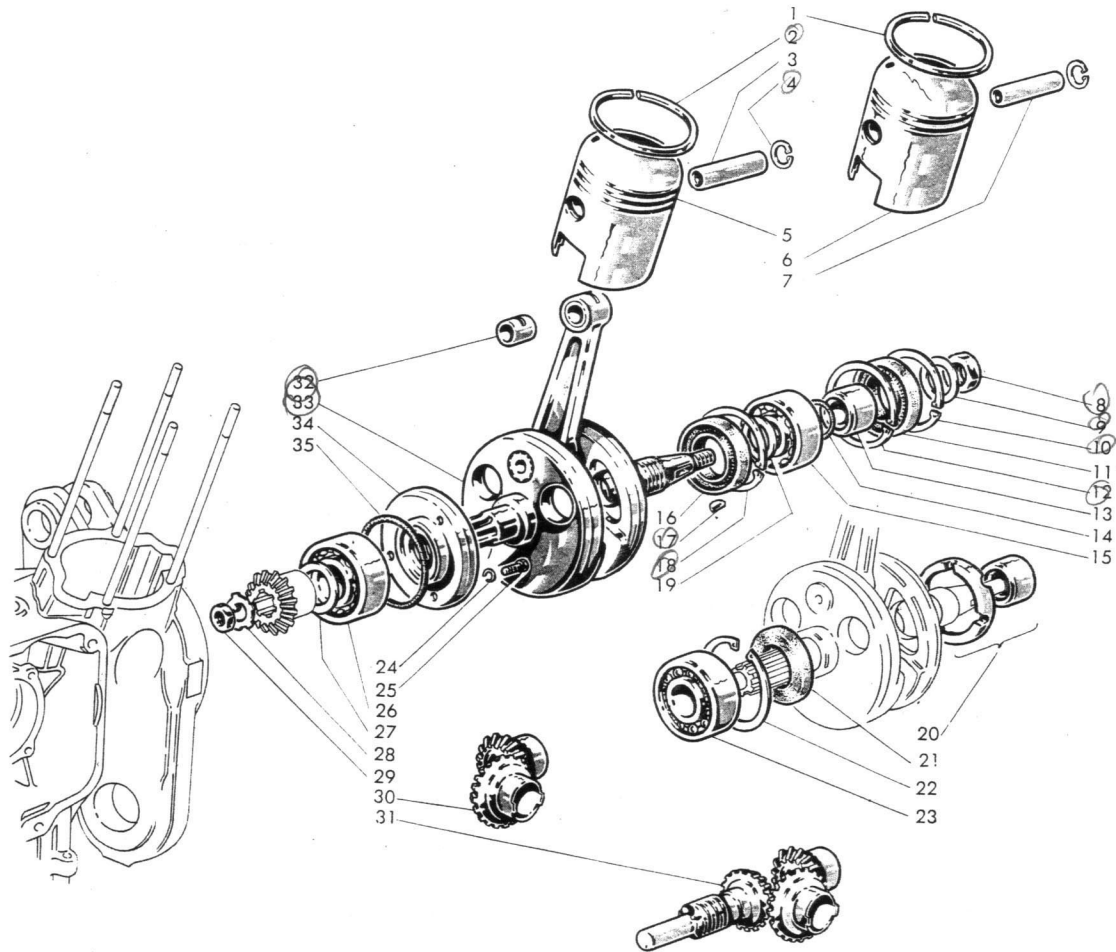


Fig. No.	Part No.	Description	Quantity	Fig. No.	Part No.	Description	Quantity
1	02060129	Bush, clutch drive hub	2	23	02060103	Plate, clutch pressure	1
2	11061011	Hub, with bushes at fig. 1	1	24	02060102	Circlip ring, clutch pressure plate	1
3	07060163	Shim, for bevel pinion	1	25	03060150	Lever, internal, clutch control	1
4	15012015	Ball bearing	1	26	70360512	Screw, for locking adjustment support	2
5	07060156	Retaining flange, clutch bearing	1	27	73170053	Spring washer, for screw at fig. 26	2
6	07060125	Clutch bell	1	28	74401522	Split pin, for lever at fig. 29	1
7	07060155	Thrust washer, for nut at fig. 8.	1	29	11060166	Lever, external, clutch control	1
8	02060122	Nut, for locking clutch bell	1		40060166	Lever, external, clutch control (for epicyclical starter)	1
9	73231112	Circlip, for splined collar	1	30	03060132	Return spring, for clutch lever	1
10	07060123	Splined collar, for clutch	1	31	02030210	Plain washer, for clutch lever	1
11	07060124	Thrust washer, for splined collar	1	32	02030209	Gasket, clutch lever	1
12	11060167	Nut, for locking splined collar	1	33	73260023	Circlip, clutch pull rod cup	1
13	11061046	Driving disc, cork lined	3	34	07060147	Bush, clutch pull rod.	1
14	02060120	Driven disc	2	35	72060005	Nut, for clutch pull rod	2
15	11060170	Pull rod, for clutch	1	36	02060153	Gasket, clutch cover plug	1
16	73250018	Circlip, retaining balls spacer	1	37	07060145	Plug, clutch cover	1
17	12060173	Spacer, for balls	1	38	11060305	Adjustment support, clutch control cable	1
18	78920532	Ball, for pull rod	10		40060305	Adjustment support, clutch control cable (for epicyclical starter)	1
19	11060169	Cup, clutch pull rod balls	1	39	02060157	Screw, fixing flange at fig. 5	3
20	02060106	End plate, clutch	1	40	08060126	Clutch bell, for electric starter motor	1
21	40060105	Spring, for clutch disc	6				
22	99092008	Retaining cup, for clutch springs	6				



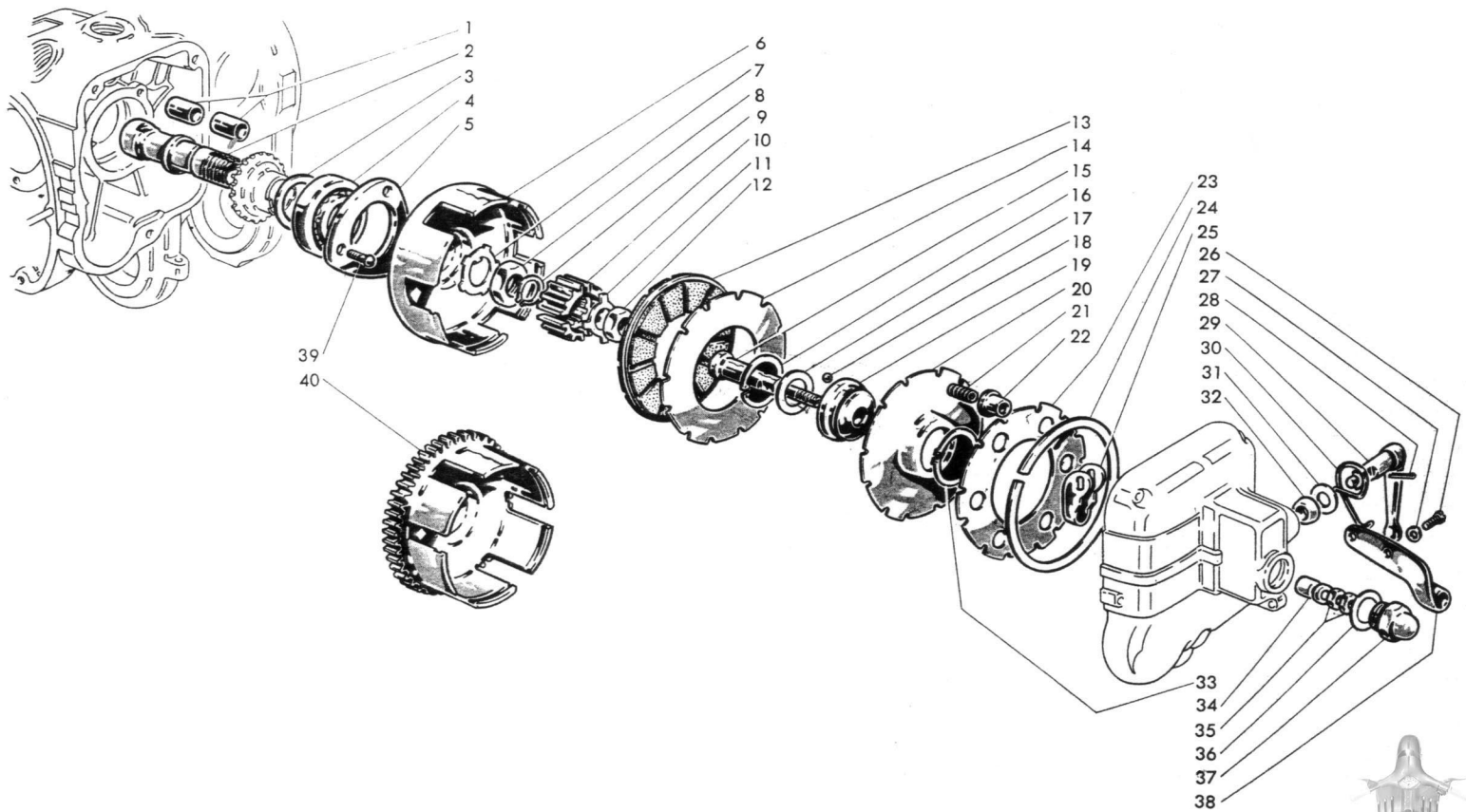


Fig. No.	Part No.	Description	Quantity	Fig. No.	Part No.	Description	Quantity
1	15031013	Seal gasket, selector box	1	20	11330206	Transmission shaft	1
2	71480614	Screw, for fixing selector box	3	21	85003158	Roller, for neutral gear on main shaft	24
3	11030304	Centering bush, selector box	1		11031086	Neutral gear, on main shaft with bush at fig. 23	1
4	11030204	Shaft, gear selector lever	1	22	11031131	Neutral gear, on main shaft with bush at fig. 23 (for LD/125)	1
5	71420412	Screw, for fixing selector box cover	3		11030108	Bush, for neutral gear	1
6	11030302	Cover, gear selector box	1	23	11030108	Bush, for neutral gear	1
7	11030303	Lever, gear control cable	1	24	73230901	Circlip, internal gear selector lever	1
	11030315	Lever, gear control cable	1	25	11031046	Lever, internal, gear selector	1
	12030315	Lever, gear control cable (for epicyclical starter)	1	26	83011201	Thickness washer, for lever at fig. 25	1
8	73260012	Circlip, operating lever	2	27	11031011	Operating lever, for gear selector	1
9	72030005	Nut, for locking adjuster pin at fig. 12	2	28	07030103	Slip ring, gear selector	1
10	73170053	Spring washer, for nut at fig. 9	2	29	11030124	2nd gear, on layshaft	1
11	11030215	Cover plate, adjuster pin	1	30	73260030	Circlip, retaining slip ring	1
12	11030208	Adjuster pin, operating lever	1	31	11031091	Neutral gear, on layshaft with bush at fig. 33	1
13	11030210	Gasket, for adjuster pin	1	32	06030110	Shim, for layshaft bush	2
14	11030212	Thickness washer, operating lever	1	33	11030106	Bush, for neutral gear on layshaft	1
15	74401522	Split pin, for adjuster pin	1	34	11031051	Layshaft	1
16	11030211	Return spring, selector operating lever	1		11031111	Layshaft (LD/125)	1
17	11030214	Adjustment washer, spring selector operating lever	1	35	11030123	2nd gear, on main shaft	1
18	11030213	Adjustment screw, spring selector operating lever	1	36	11031056	Main shaft	1
19	11030307	Box, gear selector	1	37	11030115	Thickness washer, main shaft	1
	12030307	Box, gear selector (for epicyclical starter)	1	38	07330207	Ball bearing, main shaft	1





Fig. No.	Part No.	Description	Quantity	Fig. No.	Part No.	Description	Quantity
1	99094345	Cone washer, retaining bearing	2	12	07330207	Ball bearing	1
2	99094348	Thickness disc, for retaining plate	1	13	15045005	Screw, locking stub axle nut	1
3	99094336	Plate, retaining bearing	1	14	73179053	Spring washer, for screw at fig. 13	1
4	14010213	Ball bearing	1	15	19045060	Nut, for locking rear wheel hub	1
5	07330306	Plain washer, for nut at fig. 6	1	16	83100016	Spring washer, for nut at fig. 15	1
6	07330324	Castle nut, for locking bevel gear	1	17	74850465	Key woodruff, stub axle	1
7	74400330	Split pin, castle nut	1	18	12330311	Stub axle	1
8	07330000	Rear bevel couple, (Z 13/45)	1	19	14010213	Ball bearing, for stub axle	1
	08330001	Rear bevel couple, (Z 12/45)	(LD/125) 1	20	07330313	Distance piece, for stub axle bearing	1
9	07330207	Ball bearing	1	21	07330202	Shim, for bevel pinion	1
	19030033*	Ball bearing	1	22	07330214	Cone washer, for bevel pinion bearing	1
10	07330213	Oil seal, (20 x 35 x 10)	1	23	07330212	Thickness washer bevel pinion	1
11	07330204	Distance piece, for bevel pinion	1	24	07330214	Cone washer, for bevel pinion bearing	1
	12330205*	Distance piece, for bevel pinion	1	25	73260020	Circlip, retaining bevel pinion	1

\* After machine: engine No. 161.051 (LD/150)  
engine No. 323.680 (LD/125)



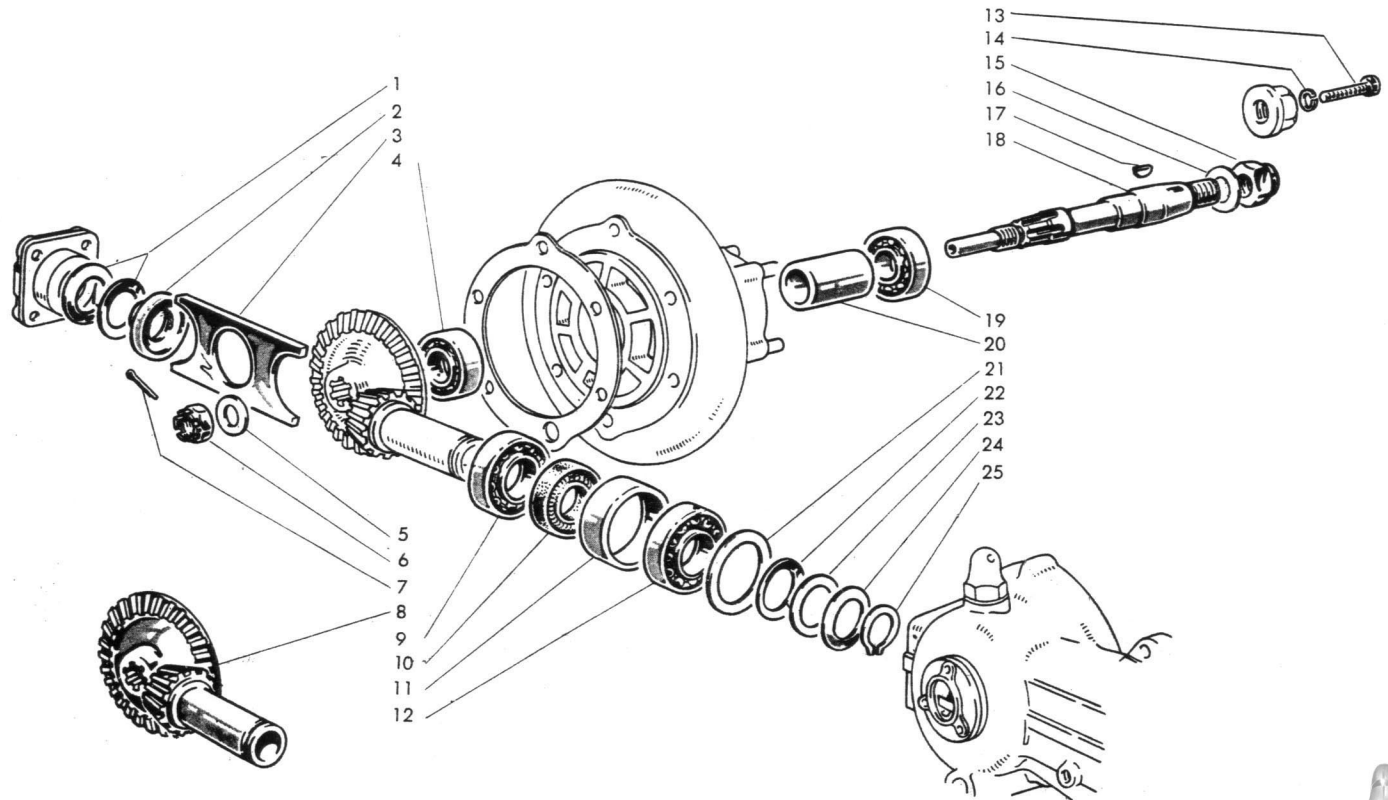


Fig. No.	Part No.	Description	Quantity
<b>« KICK START SOLUTION 11 M 400 »</b>			
1	07110403	Bevel pinion, (straight teeth, with 6 frontal dogs, for bevel couple n. 11110001)	1
	07110405	Bevel pinion, (helical teeth, with 6 frontal dogs, for bevel couple n. 11110001)	1
2	07110421	Shaft, for bevel pinion	1
<b>WARNING!!</b>			
Components of the above type are also the following items: 16 - 17 - 18 - 19 - 20 - 21 - 22 - 23 - 24 - 27 - 28 - 29 - 30 - 31 - 32 - 35 - 36 - 37 - 43 - 44 - 45 - 46 - 47 - 48 - 49 - 51 - 53 - 55 - 56 - 57 - 58 - 59 - 60 - 61 - 62 - 63.			
<b>« KICK START SOLUTION 11 M 400/1 »</b>			
3	11110441	Flange, retaining bearing	1
4	11110442	Ring, for k/start pinion packing	1
5	11110443	Oil seal, (22,5 x 30 x 7) for pinion	1
6	07330207	Ball bearing, for pinion	1
7	11110445	Spacer, for bearings	1
8	73260020	Circlip, for washer at fig. 10	1
9	07330214	Spring washer, for bearings	1
10	07330212	Thickness washer	1
11	07330214	Spring washer, for bearings	1
12	07330207	Ball bearing, for pinion	1
13	11110446	Shim, for pinion	1
14	73234217	Circlip, retaining bearing	1
15	11111187	Bevel pinion, with pin (straight teeth, with 6 frontal dogs, for bevel couple 11110000)	1
	11111189	Bevel pinion, with pin (helical teeth, with 6 frontal dogs, for bevel couple 11110001)	1
<b>WARNING!!</b>			
Components of the above type are also the following items: 16 - 17 - 18 - 19 - 20 - 21 - 22 - 23 - 24 - 27 - 30 - 31 - 32 - 33 - 34 - 35 - 36 - 37 - 38 - 39 - 40 - 43 - 44 - 45 - 46 - 47 - 48 - 49 - 55 - 57 - 58 - 59 - 60 - 61 - 62 - 63.			

Fig. No.	Part No.	Description	Quantity
<b>« KICK START SOLUTION 11 M 400/2 »</b>			
16	11110437	Rubber protection, k/start pedal	(D) 1
	12110438	Rubber protection, k/start pedal	(LD) 1
17	70300635	Screw, locking k/start pedal	1
18	11110409	Pedal, k/start	(D) 1
	12111091	Pedal, k/start	(LD) 1
19	73170064	Spring washer, for nut at fig. 20	1
20	72030006	Nut, for screw at fig. 17	1
21	11110439	Cover, k/start	1
22	02110110	Plain washer, for screw at fig. 24	1
23	02110111	Spring washer, for screw at fig. 24	1
24	71060630	Screw, fixing k/start cover	1
25	02110110	Plain washer, for screw at fig. 27	1
26	02110111	Spring washer, for screw at fig. 27	1
27	71060618	Screw, fixing k/start cover	1
28	07110407	Washer, for bevel pinion	1
29	73260022	Circlip, retaining bevel pinion	1
30	02110435	Pinion, k/start	1
31	07110417	Gasket, k/start cover	1
32	07110413	Screw, fixing support ring to cover	1
33	11110450	Screw, fixing k/start cover	1
34	11110449	Screw, fixing k/start cover	1
35	02110420	Spring, for k/start bevel pinion	1
36	07110438	Washer, for spring	1
37	02110429	Circlip, k/start bevel pinion pin	1
38	72060006	Nut, for screw at figs. 33 - 34	2
39	73170064	Spring washer, for nuts at fig. 38	2
40	73030064	Plain washer, for nuts at fig. 38	2
41	02110110	Plain washer, for screw at fig. 43	1
42	02110111	Spring washer, for screw at fig. 43	1
43	11110408	Threaded pin, fixing cover	1
44	73010053	Plain washer, for screws at fig. 46	2
45	73170053	Spring washer, for screws at fig. 46	2
46	70360516	Screw, fixing bevel pinion support	2
47	06110422	Spacing washer	1
48	73260015	Circlip, retaining pin	1





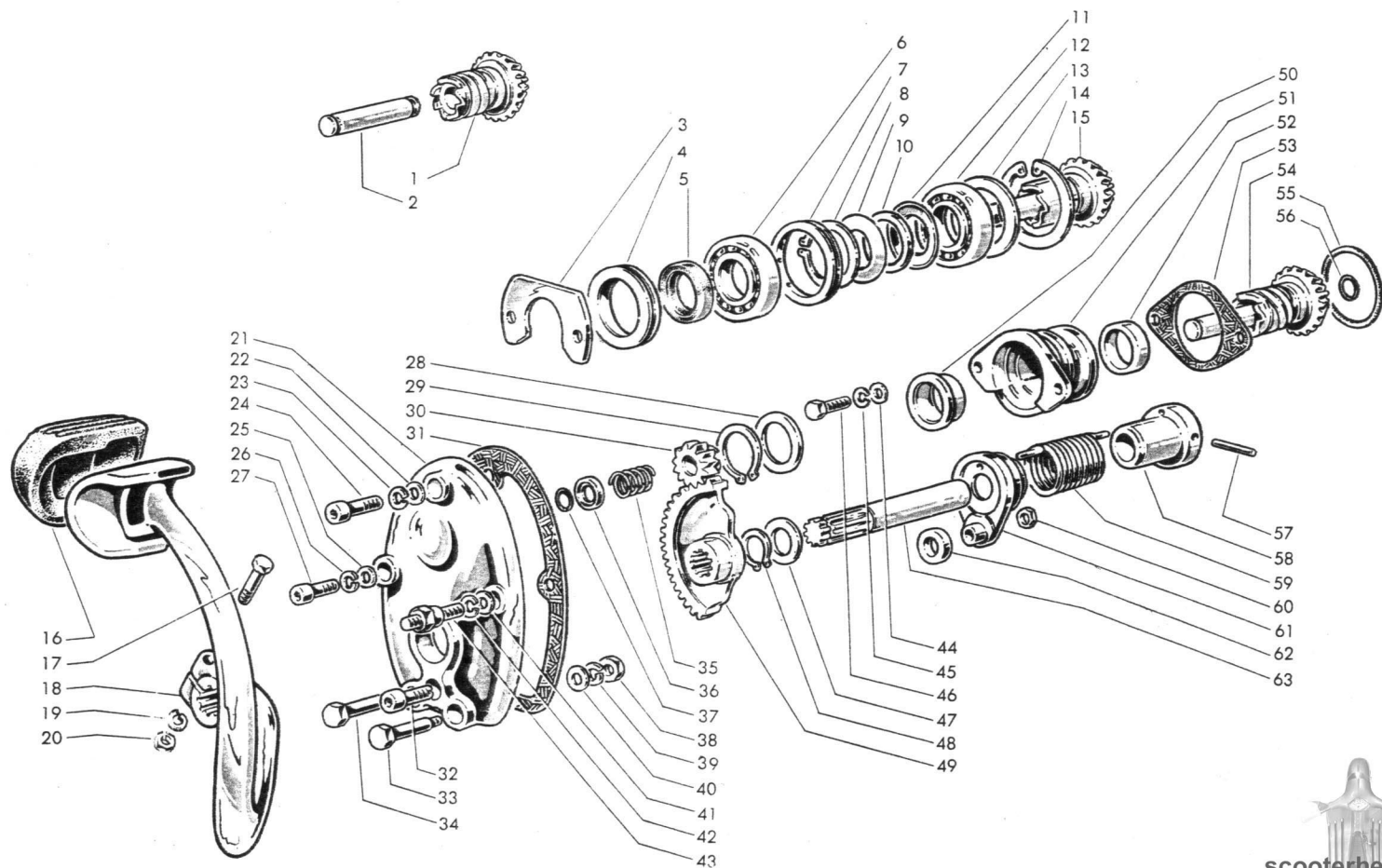


Fig. No.	Part No.	Description	Quantity	Fig. No.	Part No.	Description	Quantity
49	07110404	Notched quadrant	1	55	99091221	Seal ring, for bevel pinion bush	1
50	11110423	Bush, for bevel pinion	1	56	02110429	Circlip, k/start bevel pinion pin	1
51	11111061	Support, bevel pinion with bushes at figs. 50-52	1	57	02060115	Pin, stopping return spring	1
52	11110419	Bush, bevel pinion	1	58	02110431	Stop, for spring guide	1
53	07110418	Gasket, for bevel pinion support	1	59	02110411	Return spring, k/start pedal	1
54	11111183	Bevel pinion, with pin (straight teeth, with 6	1	60	72090006	Nut, for screw at fig. 32	1
		frontal dogs, for bevel couple 11110000)		61	11110415	Centering support, k/start cover	1
		Bevel pinion, with pin (helical teeth, with 6		62	07111031	Ring, stopping notched quadrant	1
	11111184	frontal dogs, for bevel couple 11110001)	1	63	07110412	Axle, k/start pedal	1



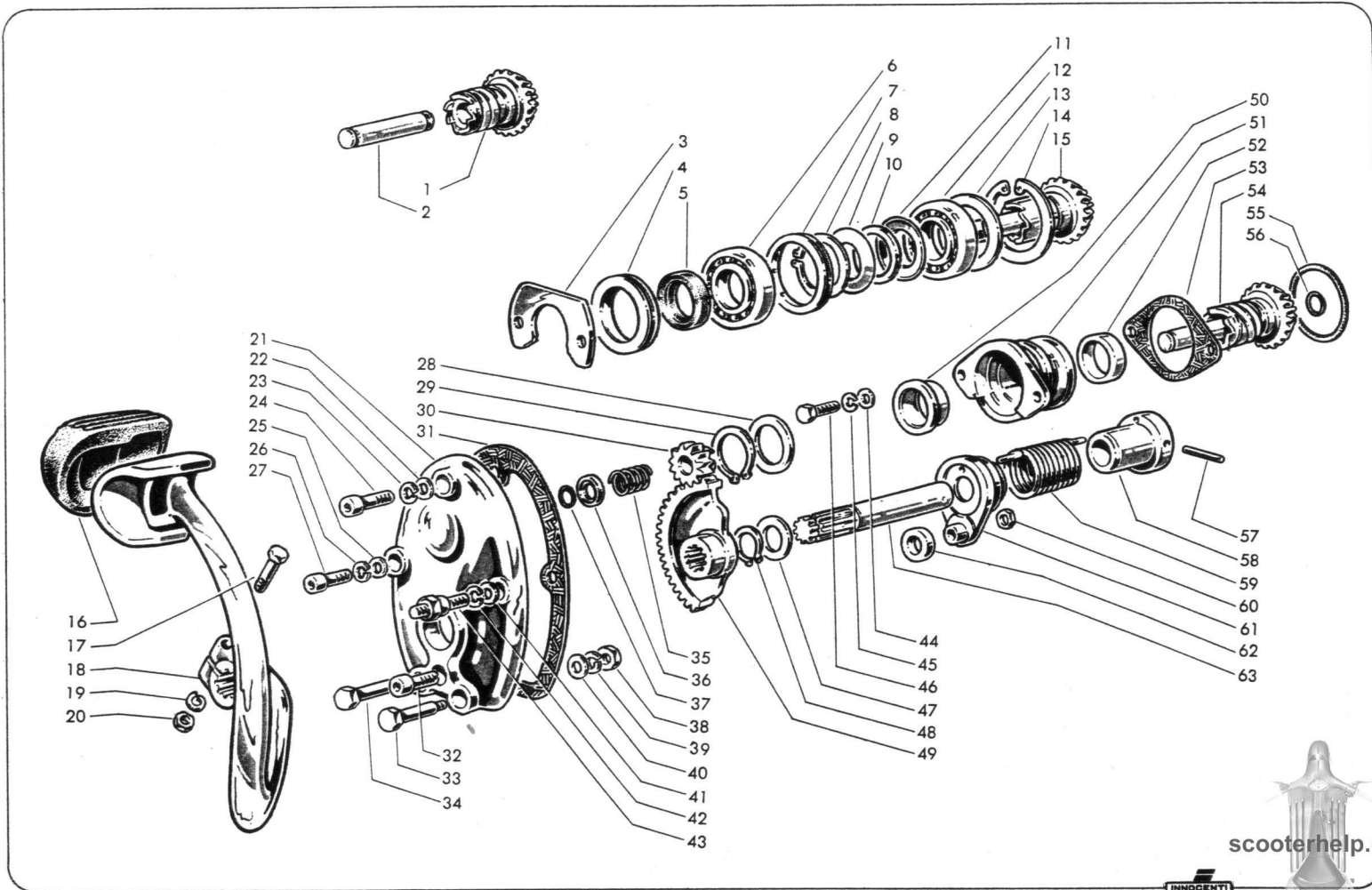


Fig. No.	Part No.	Description	Quantity
<b>« KICK START SOLUTION 11 M 400/4 »</b>			
1	02110110	Plain washer, for screw at fig. 7	1
2	02110111	Spring washer, for screw at fig. 7	1
3	11111256	Cover, k/start with bushes at figs. 39 - 40 - 62	1
4	02110110	Plain washer, for screw at fig. 6	1
5	02110111	Spring washer, for screw at fig. 6	1
6	71060618	Screw, fixing k/start cover	1
7	11110408	Threaded pin, fixing k/start cover	1
8	07110413	Screw, fixing centering support	1
9	11110473	Pinion, k/starter	1
10	11110477	Cup, pinion disengagement control	1
11	11110480	Spring, for cup at fig. 10	1
12	11110479	Washer, for spring	1
13	73260017	Circlip, retaining k/start bevel pinion	1
14	11110415	Centering support, for cover	1
15	72090006	Nut, for screw at fig. 8	1
16	11110481	Stop ring, for notched quadrant	1
17	11111246	Bevel pinion, with pin (straight teeth, with 6 frontal dogs, for bevel couple 11110000)	1
	11111251	Bevel pinion, with pin (helical teeth, with 6 frontal dogs, for bevel couple 11110001)	1
	11111276	Bevel pinion, with pin (coniflex teeth, with 6 frontal dogs, for bevel couple 11110002)	1
18	11111216	Notched quadrant	1
19	06110422	Spacing washer	1
20	07110412	Axle, k/start pedal	1
<b>WARNING!</b>			
Components of the above type are also the following items: 21 - 22 - 23 - 24 - 25 - 26 - 27 - 28 - 29 - 30 - 31 - 35 - 36 - 37 - 38 - 41 - 42 - 44 - 45 - 46 - 47 - 52 - 54 - 55 - 60 - 63 - 64 - 65			
<b>« KICK START SOLUTION 11 M 400/6 »</b>			
21	11110437	Rubber protection, k/start pedal (D)	1
	12110438	Rubber protection, k/start pedal (LD)	1
	70300648	Screw, fixing k/start cover	1
	73170064	Spring washer, for screw at fig. 22	1

Fig. No.	Part No.	Description	Quantity
24	70300635	Screw, locking k/start pedal	1
25	111110409	Pedal, k/start (D)	1
	12111091	Pedal, k/start (LD)	1
26	73170064	Spring washer, for nut at fig. 27	1
27	72030006	Nut, for screw at fig. 24	1
28	73030064	Plain washer, for screw at fig. 22	1
29	11111221	Cover, with ball bearing at fig. 31	1
30	11110472	Gasket, for cover	1
31	11110478	Ball Bearing, for bevel pinion	1
32	73010064	Plain washer, for nut at fig. 34	1
33	73170064	Spring washer, for nut at fig. 34	1
34	72060006	Nut, for stop pin at fig. 43	1
35	70300640	Screw, fixing k/start cover	1
36	73010053	Plain washer, for screws at fig. 38	2
37	73170053	Spring washer, for screws at fig. 38	2
38	70360516	Screw, fixing cover	2
39	11110419	Bush, for k/start cover	1
40	11110423	Bush, for k/start cover	1
41	02110420	Return spring, for pinion	1
42	99091221	Seal ring	1
43	11110494	Stop pin, centering support	1
44	72060006	Nut, for screws at fig. 35 - 52	2
45	73170064	Spring washer, for nuts at fig. 44	2
46	73030064	Plain washer, for nuts at fig. 44	2
47	07110417	Gasket, for k/start cover	1
48	11111256	k/start cover, with bushes at figs. 39 - 40 - 62	1
49	02110110	Plain washer, for nuts at fig. 51	2
50	02110111	Spring washer, for nuts at fig. 51	2
51	11110487	Special nut	2
52	11110450	Screw, fixing k/start cover	1
53	11110492	Pinion, k/start	1
54	73260022	Circlip, retaining k/start bevel pinion	1
55	07110407	Thrust washer, for bevel pinion	1
56	11111271	Bevel pinion, with pin (helical teeth, with 3 frontal dogs, for bevel couple 11110001)	1
	11111281	Bevel pinion, with pin (coniflex teeth, with 3 frontal dogs, for bevel couple 11110002)	3



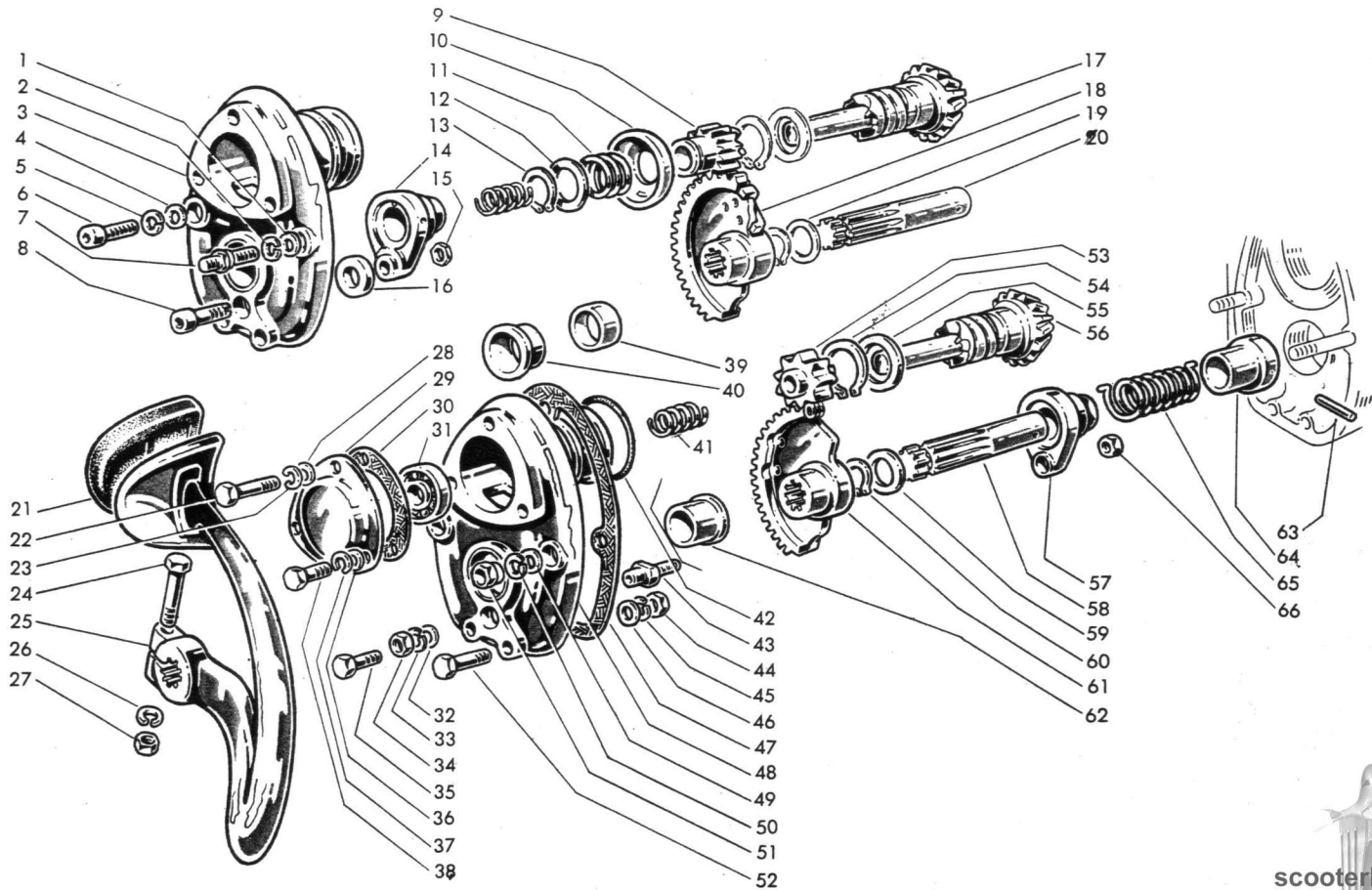


Fig. No.	Part No.	Description	Quantity	Fig. No.	Part No.	Description	Quantity
57	11110484	Centering support, k/start cover	1	62	11110423	Bush, guiding notched quadrant	1
58	11110498	Axle, k/start pedal	1	63	02060115	Pin, stopping return spring	1
59	11110497	Spacing washer	1	64	02110431	Stop ring, for spring	1
60	73260015	Circlip, retaining notched quadrant	1	65	02110411	Return spring, k/starter pedal	1
61	11111261	Notched quadrant	1	66	72030004	Nut, for pin at fig. 43	1



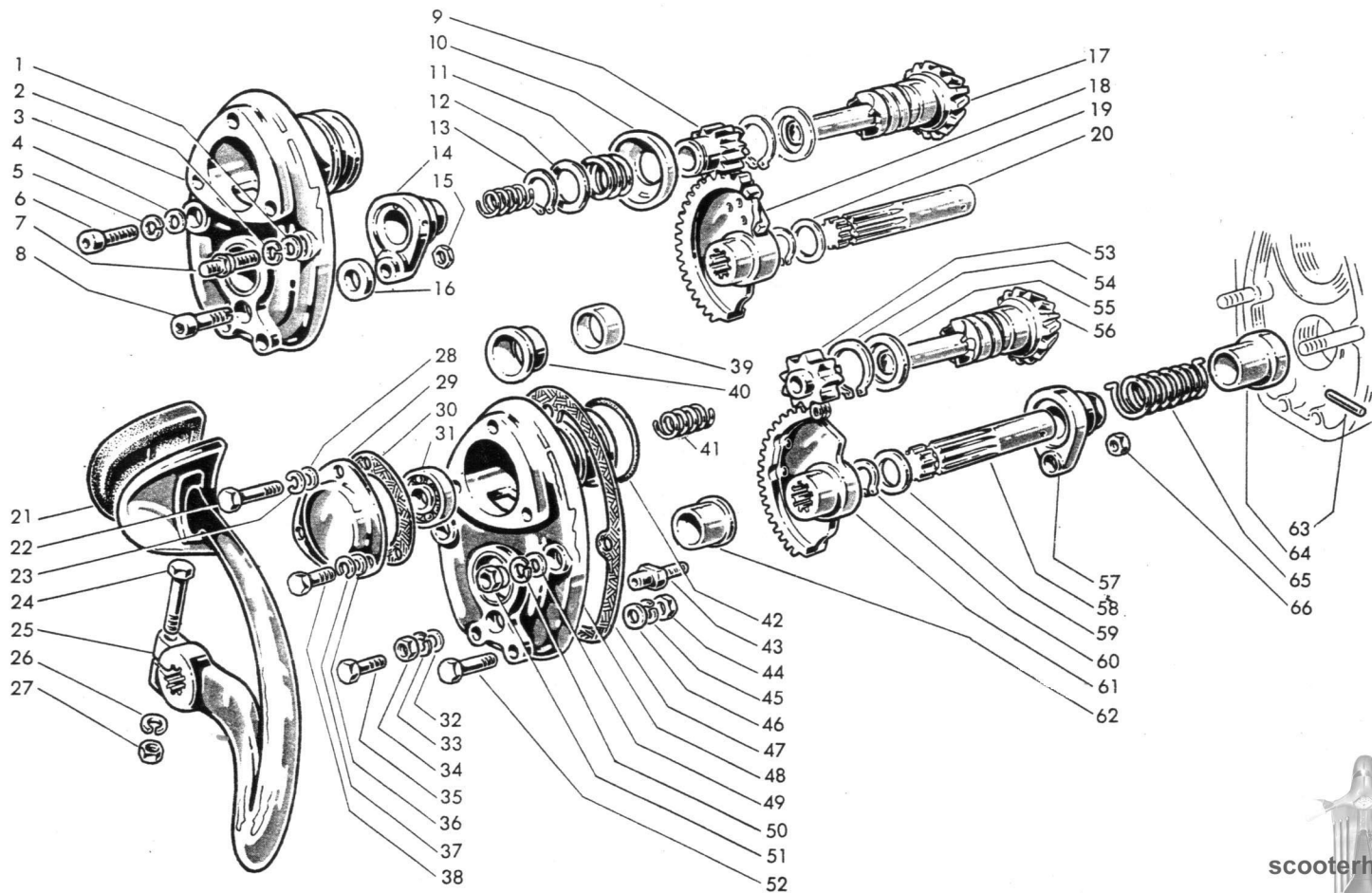


Fig. No.	Part No.	Description	Quantity	Fig. No.	Part No.	Description	Quantity
1	12110436	Rubber protection, k/start pedal	1	33	12111476	Cover, k/start	1
—	12110456	Rubber protection, k/start pedal at fig. 2	1	34	70330855	Bolt, for fixing k/start cover	2
	12111496	K/start group, complete with figs. 2 - 3 - 4 - 8 - 9 - 10 - 26 - 27	1	35	12110408	Washer, k/start bevel pinion	2
2	12111501	Pedal, k/start	1	36	73260026	Circlip, k/start bevel pinion	1
3	70300838	Bolt, k/start boss	1	37	12110417	Pinion, k/start	1
4	12110442	Boss, k/start pedal	1	38	12110418	Spring, k/start bevel pinion pin	1
5	12110439	Plug, satellite shaft	1	39	12110420	K/start quadrant	1
6	12110440	Gasket, for plug	1	40	12110426	Bush, carrier shaft	2
7	73260024	Circlip, k/start pedal	1	41	12111391	Carrier, for satellite gear shaft complete with figs. 40 - 44 - 45	1
8	12110445	Return spring, k/start pedal	1	42	12110449	Washer, for screws at fig. 43	4
9	73170084	Spring washer, for nut at fig. 10	1	43	70300630	Screw, for fixing crown wheel to cover	4
10	72030008	Nut, for bolt at fig. 3	1	44	12110425	Support ring, pedal return spring	1
11	12110430	Spacer, k/start pedal	1	45	75710210	Rivet, for fixing support ring	4
12	12110429	Oil seal, (47 x 24 x 7) k/start cover	1	46	74401522	Split pin, for screws at fig. 48	2
13	12110406	Bush, k/start cover	2	47	73030064	Plain washer, for screws at fig. 48	2
14	12110441	Nut, for bolt at fig. 19	2	48	12110447	Screw, for fixing items at figs. 50 - 59	2
15	73170084	Spring washer, for nuts at fig. 14	2	49	12110428	Thrust washer, satellite gear shaft	1
16	73030084	Plain washer, for nuts at fig. 14	2	50	12110432	Crown wheel, k/starter	1
17	12110419	Thrust washer, k/start shaft spring	1	51	12110404	Gasket, k/start body	1
18	11110478	Bearing, k/start pinion	1	52	12111486	Bevel pinion, with pin (helical teeth, for bevel couple 11110001)	1
19	70330860	Bolt, fixing k/start cover	1		52	12111491	Bevel pinion, with pin (coniflex teeth, for bevel couple 11110002)
20	73170084	Spring washer, for bolt at fig. 19	1	53		99094356	Gasket ring, for k/start body
21	73030084	Plain washer, for bolt at fig. 19	1	54	12110402	Bush, for guiding bevel pinion	2
22	73030064	Plain washer, for nuts at fig. 24	6	55	12110423	Ring, satellite gear pin	4
23	73170064	Spring washer, for nuts at fig. 24	6	56	12110421	Satellite gear	2
24	72030006	Plug, for screws at figs. 43 - 48	6	57	12110422	Pin, satellite gear	2
25	87020008	Grease nipple	1	58	12110403	Bush, for guiding quadrant gear	1
26	74400330	Split pin, for locking k/starter pedal	1	59	12111471	Body, k/start with bushes at figs. 54 - 58	1
27	83011201	Washer, for pedal pin	1	60	73030084	Plain washer, for nuts at fig. 62	2
28	73260024	Circlip, k/start pedal	1	61	73170084	Spring washer, for nuts at fig. 62	2
29	12110431	Return spring, k/start pedal	1	62	72030008	Nut, for screws at fig. 34	2
30	12110448	Packing ring, crown wheel	1				
31	12110404	Gasket, k/start cover	1				
32	15041024	Rebound buffer, k/start pedal	1				





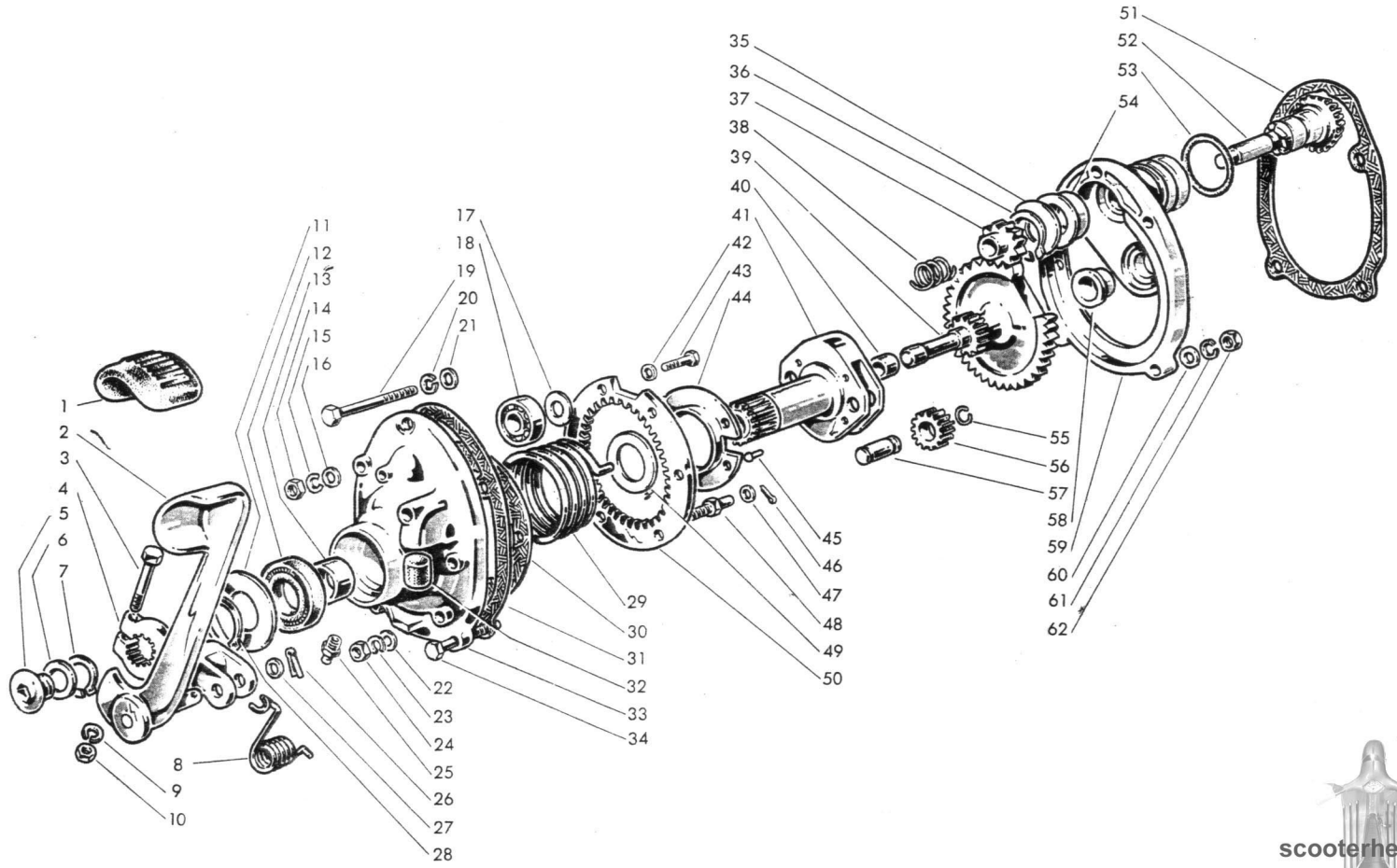


Fig. No.	Part No.	Description	Quantity	Fig. No.	Part No.	Description	Quantity
1	12171026	Rod, for petrol tap control	1	38	00412096 1488	Pilot jet 45	1
2	14070102	Gasket, for petrol tap	1	—	00412122 MA 19 B 4	Carburettor, without air filter (D/150)	1
3	14070101	Gasket, for petrol tap	1	—	00412138 MA 19 B 4	Carburettor, without air filter (LD/150)	1
4	00412187 2360	Spring pin, for rod	1	—	00412143 MA 18 B 4	Carburettor, without air filter (LD/125)	1
5	15071002	Grommet, petrol tap control rod	1	39	00412133 3237	Lever, choke control	1
6	12171056	Petrol tap (LD)	1	40	00412128 3124	Fulcrum lever, choke control	1
7	99097012	Transfer «Lambretta» (D)	2	41	00412048 2420	Pin, for fulcrum lever	1
8	12170105	Filler cap, fuel tank (without breather)	1	42	00412037 2321	Operating rod, for air slide	1
9	12170109	Ring, locking fuel tank	1	43	{ 00412127 3111	Cover, carburettor body (D)	1
10	12170112	Washer, for ring at fig. 9	1		{ 00412141 3382	Cover, carburettor body (LD)	1
11	02170105	Thickness washer	2	44	00412021 1491	Screw, fixing carburettor cover	2
12	99098404	Dome nut, fixing fuel tank	1	45	00412002 1409	Spring, for air slide	1
13	73030084	Plain washer, for nut at fig. 12	1	46	00412005 1414	Gasket, for carburettor cover	1
14	12170108	Rubber washer, for fuel tank stirrup support	1	47	00412001 1407	Retaining clip, main jet needle	1
15	12171021	Stirrup support, fuel tank	1	48	00412095 1421	Air slide 75	1
16	12171066	Fuel tank (LD)	1	49	00412098 2390	Float	1
17	11170204	Petrol pipe	1	50	00412135 2265	Needle D 3	1
18	99097040	Filler cap, fuel tank (with breather)	1		{ 00412137 3232	Carburettor body	1
19	99097007	Gasket, filler cap	1		{ 00412144 3402	Carburettor body (LD/125)	1
20	14070102	Gasket, petrol tap	1	52	00412027 1607	Needle, for float	1
21	14070101	Gasket, petrol tap	1	53	12110716	Filter hose (LD/epicyclic starter)	1
22	08171061	Petrol tap (D)	1	54	12111431	Clip, fixing filter hose	1
23	72030005	Nut, for screw at fig. 25	1	55	70910420	Screw, for fixing clip at fig. 54	1
24	73170053	Spring washer, for screw at fig. 25	1	—	00412180 3889	Air filter, F18, complete with figs. 56 - 57 - 58 - 59 - 60 - 61 - 62 - 63 (LD/epicyclic starter)	1
25	70330560	Screw, fixing fuel tank	1	56	00412184 3783	Filter body	1
26	11170204	Petrol pipe	1	57	00412131 3151	Tab washer, locking nut	1
27	12111431	Clip, retaining filter hose	1	58	00412132 3154	Nut, locking filter body	1
28	70910420	Screw, fixing clip at fig. 27	1	59	00412120 3181	Spacer, for filter element	1
29	99097008	Antivibration rubber, for fuel tank	1	60	00412121 3159	Filter element	1
30	11171001	Fuel tank (D)	1	61	00412185 3858	Gasket, for end plate	1
31	72060006	Counter nut, fixing fuel tank	1	62	00412186 3859	End plate, with cage retaining filter element	1
32	06170108	Antivibration washer, for screw at fig. 34	1	63	00412151 1308	Screw, fixing end plate	1
33	73010064	Plain washer, for screw at fig. 34	1	64	00412049 1973	Nut, locking fulcrum lever pin	1
34	70300622	Screw, fixing fuel tank	1	65	00412050 1581	Spring washer, for nut at fig. 64	1
35	00412042 2115	Screw, pilot jet adjustment	1	66	00412038 2383	Gasket, for operating rod	1
36	00412004 1411	Spring, adjustment screws	2				
37	00412026 1532	Screw, guiding and stopping air slide	1				

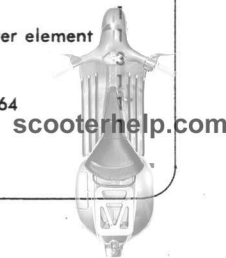




Fig. No.	Part No.	Description	Quantity	Fig. No.	Part No.	Description	Quantity
67	00412053 2439	Rubber, dust protector	1	87	73030105	Plain washer, for nut at fig. 89	1
68	00412056 2120	Gasket, for filter bowl	1	88	73170105	Spring washer, for nut at fig. 89	1
69	00412054 1576	Counternut, for adjustment screw	1	89	72070010	Nut, for choke control knob support	1
70	00412055 1575	Adjustment screw	1	90	12111126	Cable, choke control	1
71	00412057 2135	Filter	1	91	00412148 1104	Adjuster, for choke control cable	1
72	00412058 2109	Spring, for filter	1	92	00412054 1576	Counternut, for adjuster	1
73	00412052 2275	Seat, for needle	1	93	00412181 3128	Adjuster nut, for choke control cable	1
74	00412124 1452	Circlip, retaining needle	1	94	00412182 3133	Spring, for choke control cable valve	1
75	00412059 2114	Bowl, for filter	1	95	00412140 3238	Valve, choke control	1
76	00412126 2141	Gasket, starter jet	1	96	11110207	Gasket, for induction manifold	1
77	00412125 2119	Starter jet 50	1	96	11110225	Gasket, for induction manifold (LD/125)	1
	00412139 2119	Starter jet 75	1		97	11110205	Manifold induction
78	00412060 2192	Clip, for retaining filter bowl	1	97		11110223	Manifold induction (LD/125)
79	00412097 2058	Atomizer 255 B	1		98	70360618	Screw, fixing induction manifold
80	00412136 1486	Main jet 72	1	99	73170064	Spring washer, for screws at fig. 98	3
	00412017 1486	Main jet 75 (LD epicyclical starter)	1	100	73030064	Plain washer, for screws at fig. 98	3
	00412100 1486	Main jet 68 (LD/125)	1	101	00412061 1721	Ring, for securing carburettor	1
81	00412006 1415	Gasket, main jet plug	1	102	00412062 1111	Screw, for ring at fig. 101	1
82	00412018 1487	Plug, main jet	1	103	00412121 3159	Filter element	1
—	00412134 3175	Air filter, F14, complete with figs. 83 - 84 - 103 - 104 - 105 - 106 - 107 - 108	1	104	00412120 3181	Spacer, for filter element	1
83	00412115 3153	Screw, for securing filter body end plate	3	105	00412132 3154	Nut, locking end plate	1
84	00412142 3241	Filter body, complete with cages	1	106	00412119 3141	Gasket, for filter body	1
85	12111161	Knob, choke control	1	107	00412131 3151	Tab washer, for nut at fig. 105	1
86	12110708	Support, for choke control knob	1	108	00412130 3144	End plate, filter body	1

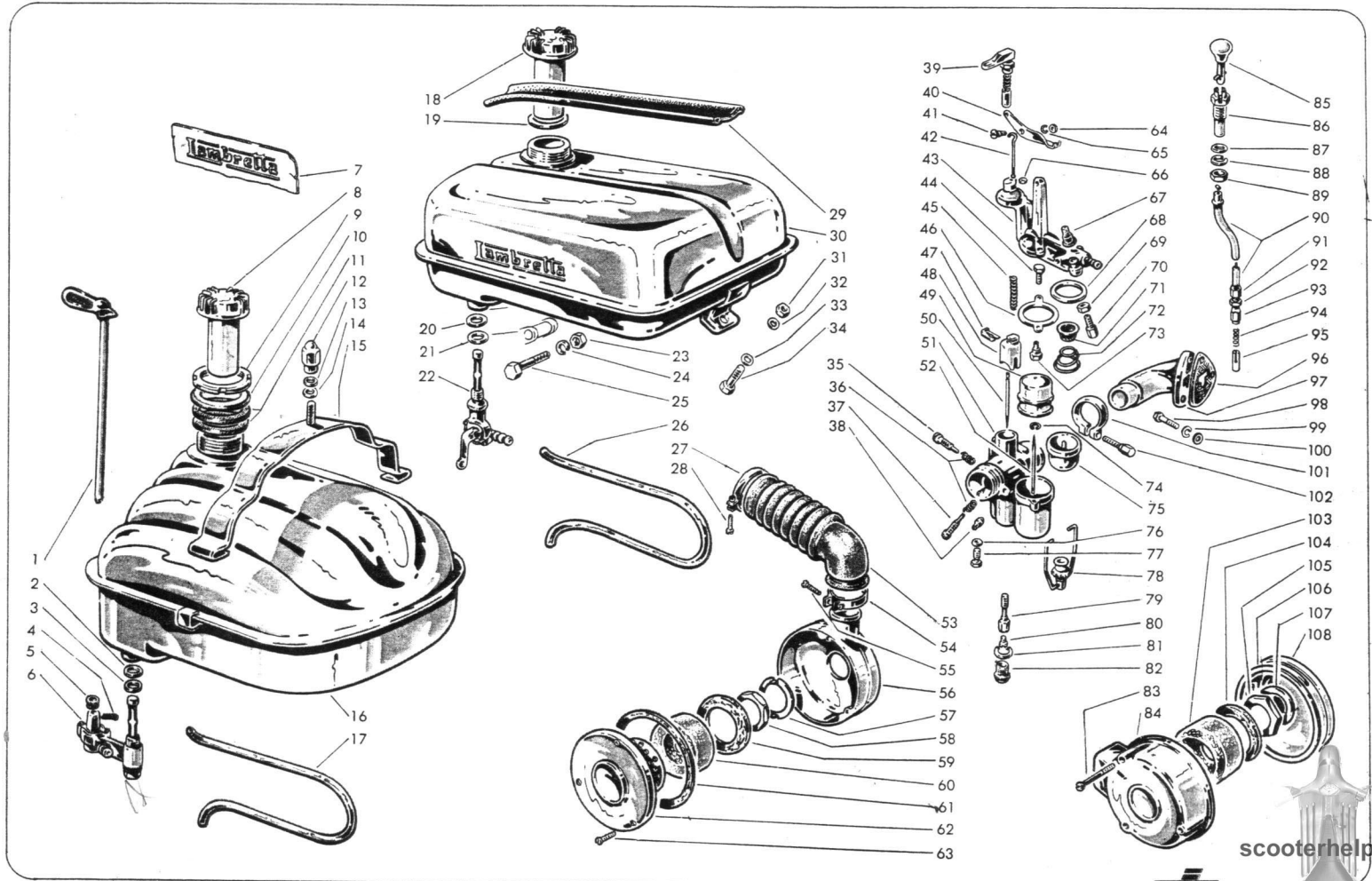


Fig. No.	Part No.	Description	Quantity	Fig. No.	Part No.	Description	Quantity
1	07180405	Gasket, for silencer	1	18	12184003	Silencer, complete with figs. 19 - 20 - 21 - 22 (LD)	1
2	72060008	Nut, for fixing exhaust tube	1	19	12181431	Exhaust tube	1
3	73120084	Spring washer, for nut at fig. 2	1	20	70490515	Screw, fixing exhaust tube	1
4	11180449	Gasket, for exhaust tube	1	21	12180486	Clamp, fixing exhaust tube	1
5	11181206	Exhaust tube	1	22	72030005	Nut, for screw at fig. 20	1
6	11184001	Silencer, complete with figs. 2 - 3 - 4 - 5 - 7 - 8 - 9 (D/150)	1	23	70610814	Screw, fixing exhaust tube	1
7	11180458	Plug, with extension for silencer	1	24	{ 11180400	Silencer, complete (D)	1
8	15056028	Plug, for silencer	1	25	{ 12180400	Silencer, complete (LD)	1
9	11180469	Wire, for securing silencer plugs	1	26	{ 70300525	Screw, fixing exhaust tube to silencer	1
10	99095627	Grub, for securing bush	1	27	{ 11181161	Exhaust pipe (D)	1
11	99095626	Bush, for end plate rod	1	28	{ 12181191	Exhaust pipe (LD)	1
12	99095628	Gasket, for bush	1	29	73170053	Spring washer, for screw at fig. 25	1
13	07181111	End plate, with support	1	30	72000005	Nut, for screw at fig. 25	1
14	07180422	Gasket, for end plate	2	31	07181141	End plate, with rod	1
15	07180434	Spacer	1	32	72060008	Nut, for screws at figs. 23 - 33	1
16	11181146	Sliding diaphragm, with tubes	1	33	11181166	Plate, fixing exhaust pipe	1
17	{ 11180439	Filter (D)	1	32	73170084	Spring washer, for screws at figs. 23 - 33	1
	{ 12180439	Filter (LD)	1	33	11180442	Screw, for fixing exhaust pipe	1



EXHAUST SILENCERS COMPONENTS

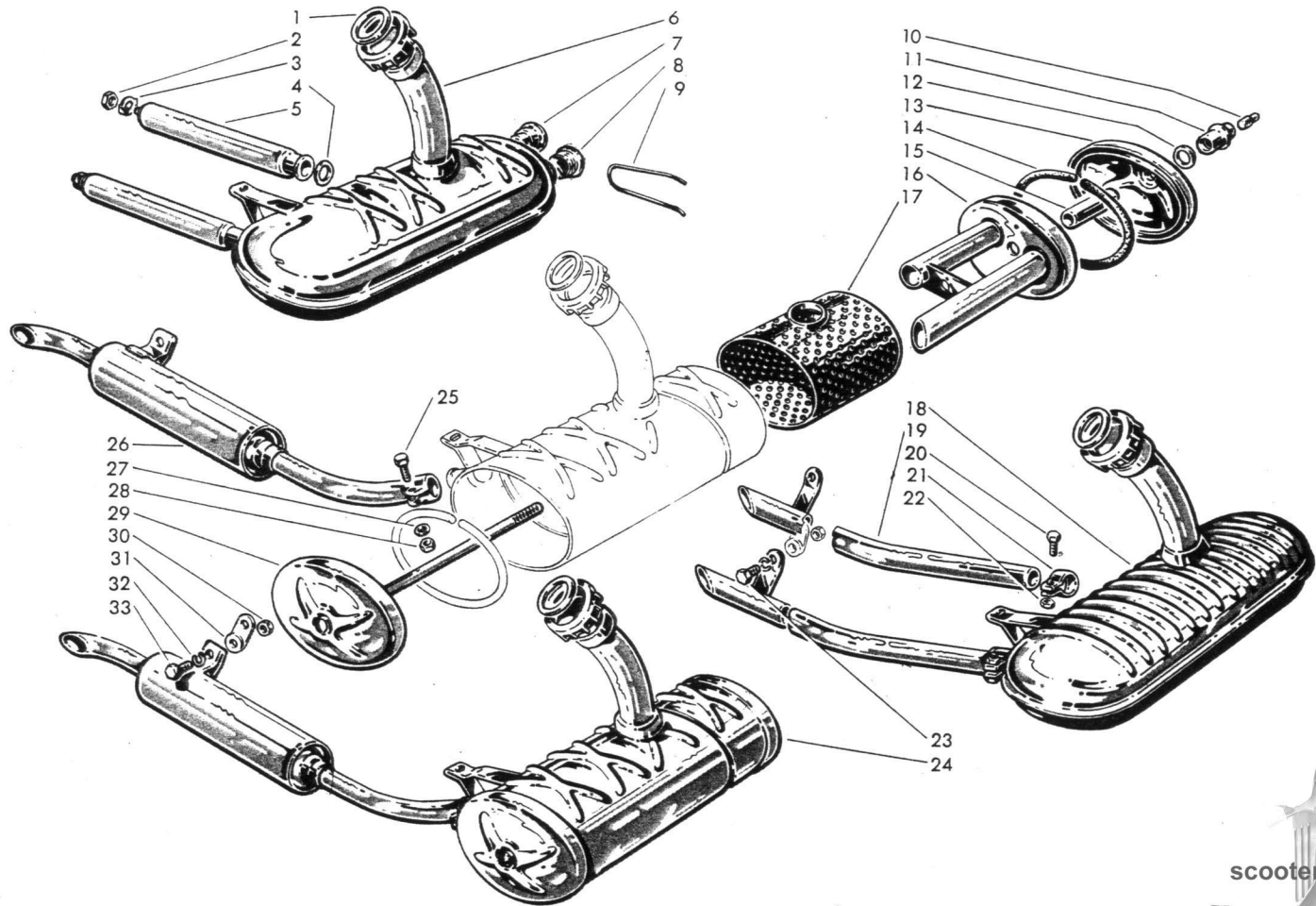


Fig. No.	Part No.	Description	Quantity	Fig. No.	Part No.	Description	Quantity
1	—	Not supplied, it is necessary to replace the engine cowl with figs. 5-16	—	10	71220525	Screw, fixing flange	1
2	70920407	Screw, fixing engine cowl	3	11	71430409	Screw, fixing main cowl cover	3
3	83100004	Spring washer, for screw at fig. 2	3	12	11110514	Spring washer, for screws at fig. 11	3
4	11111116	Engine cowl, drive side	1	13	11110506	Cover, for main cowl	1
5	11111366	Engine cowl, drive side	1	14	15014009	Circlip, for dust protector cover	1
6	73170053	Spring washer, for screws at fig. 15	3	15	70910509	Screw, fixing engine cowl	3
7	72030005	Nut, for screws at fig. 15	3	16	11111361	Engine cowl, flywheel side	1
8	11110502	Flange, flywheel side cowl	1	17	15014010	Cover, dust protector	1
9	73170053	Spring washer, for screw at fig. 10	1	18	70910512	Screw, fixing engine cowl to flange	3
				19	73170053	Spring washer, for screws at fig. 18	3





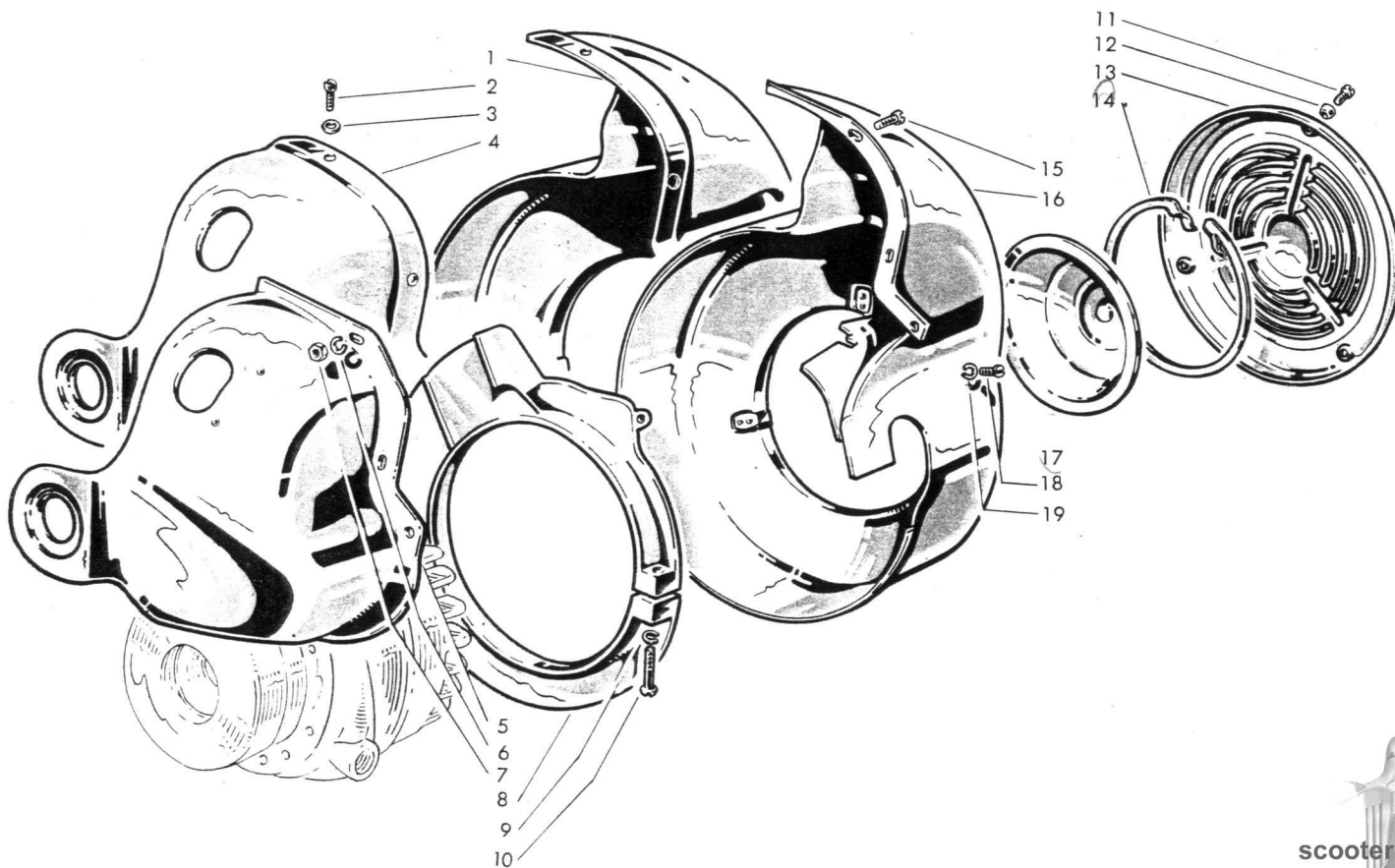


Fig. No.	Part No.	Description	Quantity	Fig. No.	Part No.	Description	Quantity
1	07180160	Bush, torsion bar support lever	1	19	11180151	Clamp, fixing cables (D)	1
2	{ 12181356	Frame, with bush at fig. 1 (LD)	1	20	87020008	Grease nipple, for torsion bar lever	1
	{ 12181376	Frame, with bush at fig. 1 (LD/electric starter)	1	21	07180605	Spacing washer, torsion bar lever	1
3	12180177	Clamp, fixing cable (LD)	2	22	07180608	Protection ring, torsion bar lever	1
4	70300540	Screw, for fixing cable clamps (LD)	1	23	07180604	Torsion bar	1
5	{ 11180501	Centre stand (D)	1	24	07180607	Spacing washer, torsion bar	2
	{ 12180506	Centre stand (LD)	1	25	73260020	Circlip, retaining torsion bar	2
6	72030005	Nut, for screw at fig. 4 (LD)	1	26	07180609	Protection cap, torsion bar	2
7	83100005	Plain washer, for screw at fig. 4 (LD)	1	27	11180167	Bolt, for fixing shock absorber, lower part (D-LD/150)	1
8	08180510	Return spring, centre stand	1	28	11181151	Shock absorber, (D-LD/150)	1
9	07180502	Pin, centre stand	1	29	73030084	Plain washer, for fixing shock absorber (D-LD/150)	3
10	11181196	Frame, with bush at fig. 1 (D)	1	30	73170084	Spring washer, for bolt at fig. 27 (D-LD/150)	1
11	07180503	Bush, centre stand pin	2	31	72030008	Nut, for fixing shock absorber (D-LD/150)	2
12	{ 73260012	Circlip, for centre stand pin	2	32	87020008	Grease nipple, for needles cages	2
	{ 74400330	Split pin, for centre stand pin	2	33	07180611	Link, torsion bar lever	1
13	07180504	Rebound buffer, centre stand	1	34	07181086	Needle cage	2
14	12181061	Buffer, for side panel	2	35	07180619	Washer, for needle cage	2
15	72000003	Nut, for fixing buffer	2	36	07180613	Pin, torsion bar link	1
16	07180615	Safety washer, lever link pins	2	37	73260020	Circlip, retaining pins	4
17	07180601	Lever, torsion bar	1	38	07180612	Pin, torsion bar lever	1
18	07180616	Rebound buffer	1	39	11181152	Silent-block, for shock absorber	2



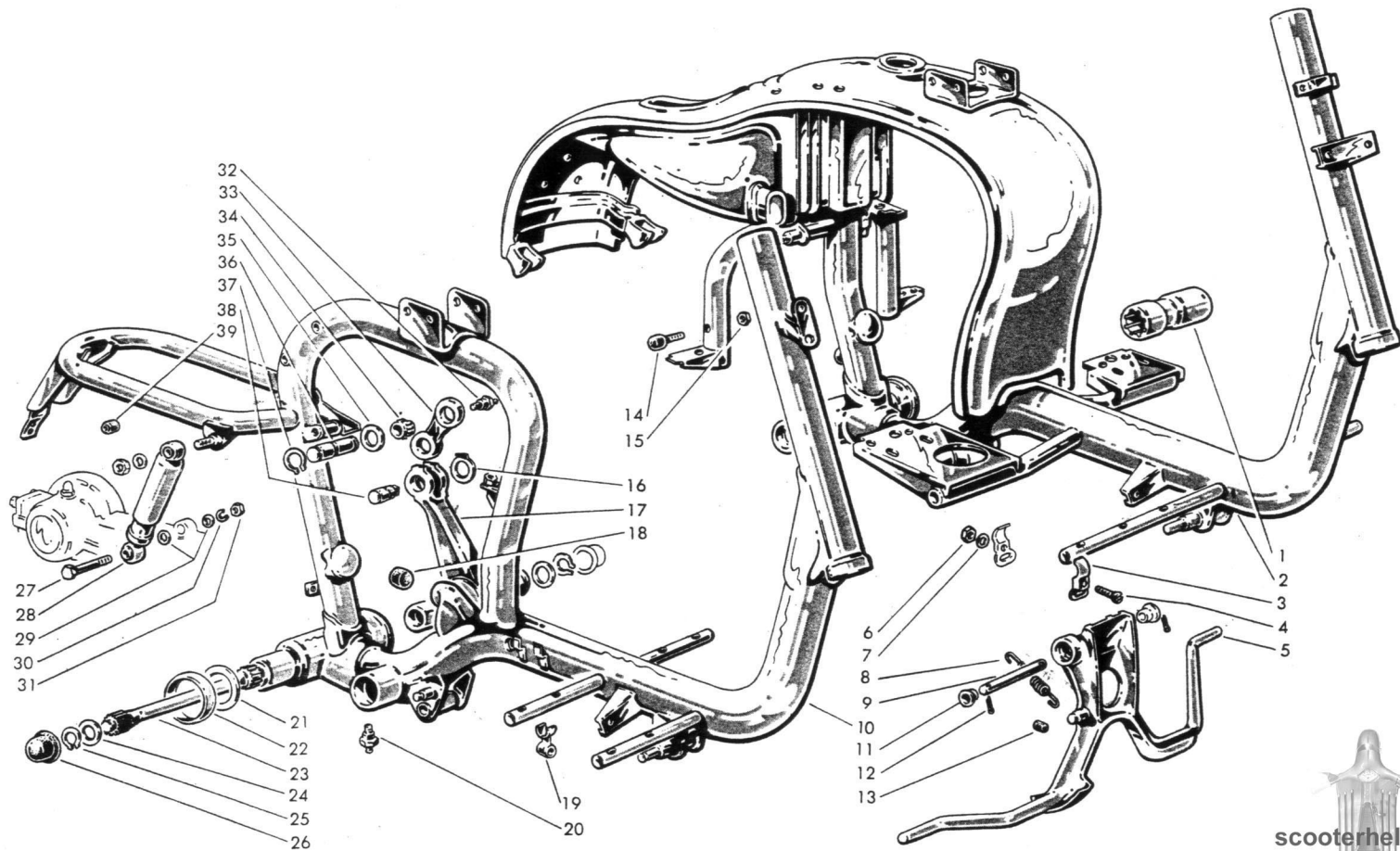


Fig. No.	Part No.	Description	Quantity	Fig. No.	Part No.	Description	Quantity
1	07771121	Front fork, with bushes at fig. 23	1	29	99096208	Thickness washer, for twist grip	2
2	99106051	Spring, front suspension	2	30	12770423	Thrust washer, for clutch and brake lever pin	2
3	07771046	Piston, front suspension spring guide	2	31	14060211	Nut, for lever pin	2
4	70360614	Screw, fixing front mudguard	2	32	07770422	Pin, for clutch and front brake lever	2
5	73170064	Spring washer, for screws at fig. 4	2	33	71450630	Screw, for support	2
6	87020008	Grease nipple, linkage box and suspension spring	4	34	12770237	Sheath, throttle cable (for machine with item at fig. 39)	1
7	99106053	Gasket, linkage box cover	2	35	11771136	Lever, for clutch and front brake	2
8	99106064	Bush, linkage box cover	2	36	72060006	Nut, support screws	2
9	99106040	Cover, linkage box	2	37	71450528	Screw, fixing handlebar cowl	1
10	73170053	Spring washer, for screws at fig. 11	6	38	83130005	Spring washer, for screw at fig. 37	1
11	99106068	Screw, fixing linkage box cover	6	39	12771146	Cowl, handlebar	1
12	73020053	Plain washer, for screws at fig. 11	6	40	07770227	Screw, for locking handlebar tube	2
13	99106062	Link lever, right hand	1	41	73170084	Spring washer, for screws at fig. 40	2
14	99106052	Rebound buffer, fork spring	2	42	73150084	Plain washer, for screws at fig. 40	2
15	99106054	Gasket, for end plug	2	43	12770224	Cover, for handlebar support	1
16	99106067	Plug, fork end	2	44	11770230	Tube, handlebar	1
17	19030044	Spacing washer, for trailing link	2	45	12770238	Stirrup, fixing handlebar cowl	2
18	99106056	Trailing link, right hand	1	46	73170053	Spring washer, for screws at fig. 47	2
19	73020074	Plain washer, for screws at fig. 20	2	47	71200514	Screw, for stirrup	2
20	99106058	Bolt, for fixing trailing link	2	48	72000008	Nut, locking handlebar	1
21	99106057	Trailing link, left hand	1	49	73170084	Spring washer, for nut at fig. 48	1
22	99106061	Link lever, left hand	1	50	73150084	Plain washer, for nut at fig. 48	1
23	99106065	Bush, link lever	2	51	07770322	Sleeve, gear and throttle cable control	2
24	99106066	Seal ring, link lever	2	52	06770320	Grub, for sleeve	4
*	12771144	Handlebar complete with figs. 25 - 26 - 27 - 28 - 29 - 30 - 31 - 32 - 33 - 35 - 36 - 40 - 41 - 42 - 43 - 44 - 51 - 52 - 53 - 67 - 70 - 71 - 72	1	53	07770403	Handgrip	2
	11770419	Support, front brake lever	1	54	71200410	Screw, for fixing ring	1
25	12770404	Support, front brake lever (LD electric starter)	1	55	83120004	Spring washer, for screw at fig. 54	1
	12770405	Support, front brake lever (LD epicyclic starter)	1	56	12770239	Ring, for holding control cable	1
26	11770402	Cone washer, throttle cable	1	57	07770216	Cone, for steering adjustment ball race	1
27	11771131	Sleeve, throttle control	1	58	15061060	Ball race, steering adjustment	1
28	99096207	Stop ring, for twist grip	2	59	07770215	Seat, for steering adjustment ball race	1

\* For replacement of the handlebar onto Lambretta 150 LD with electric starter and 150 D-LD without epicyclic starter it is necessary to replace the support 12770405 with 12770404 or 12770405 with 11770419.



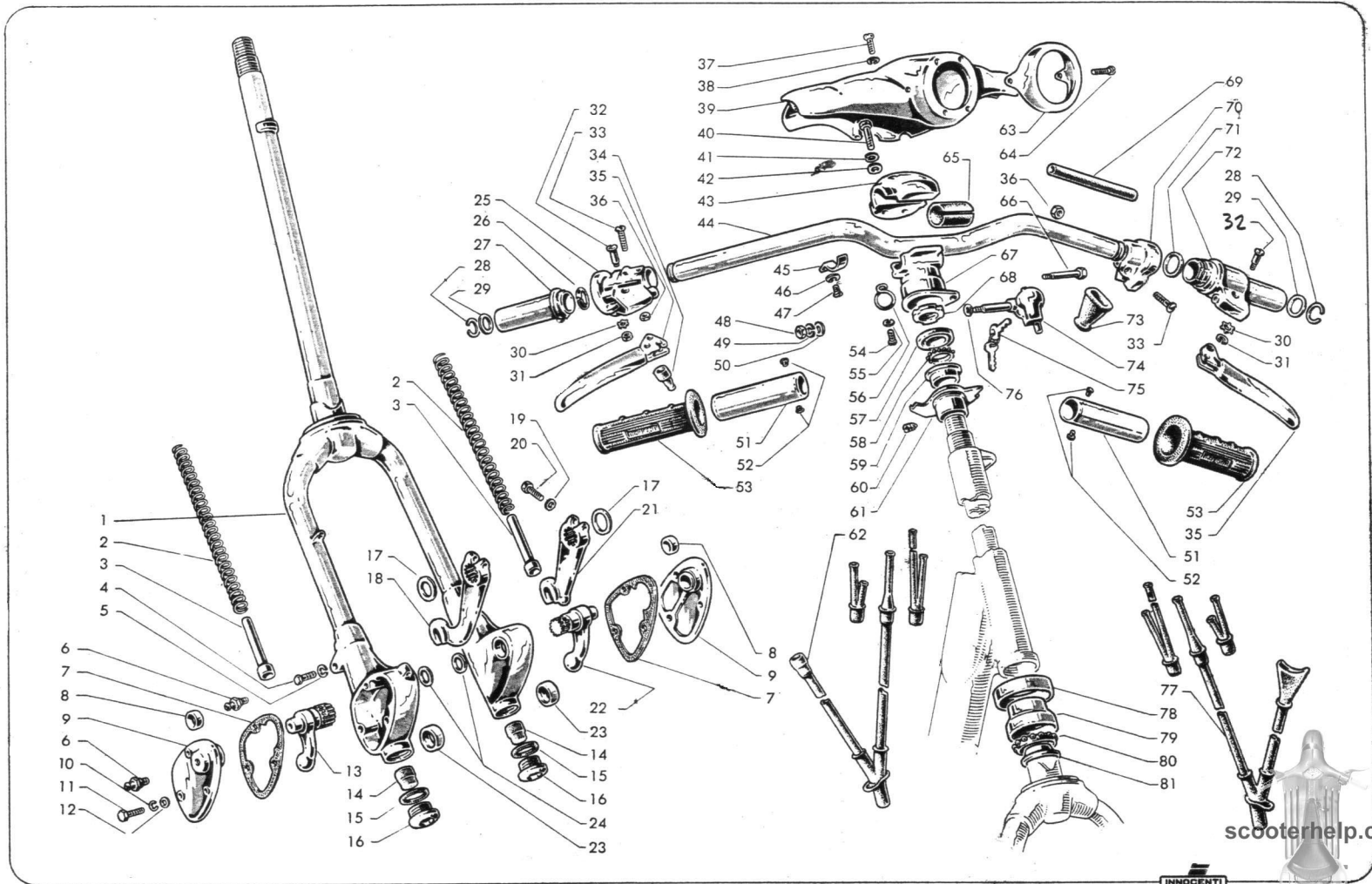


Fig. No.	Part No.	Description	Quantity	Fig. No.	Part No.	Description	Quantity
60	05180124	Grub, for locking steering guide bush	1	72	11771011	Support, clutch lever	1
61	07770229	Bush, steering guide (D)	1	73	11770303	Sheath, gear change cable (for machines with item at fig. 39)	1
	08770229	Bush, steering guide (LD)	1	74	12011646	Steering lock, with keys (LD electric starter)	1
	12770233	Bush, steering guide (LD epicyclical starter)	1		99108810	Steering lock, with keys	1
62	12771036	Sheath, for throttle and front brake cable (for machines without item at fig. 39)	1		15081037	Key, for steering lock n. 12011646	2
63	12010303	Embellisher, for horn	1	75	15088005	Key, for steering lock n. 99108810	2
64	71500312	Screw, fixing horn embellisher	2	76	99108811	Spacing washer, for steering lock	1
65	11770225	Antivibration gasket, for handlebar support	1	77	12771026	Sheath, gear change, front brake and switch cables (for machines without item at fig. 39)	1
66	07770226	Bolt, locking handlebar	1	78	99096108	Protection, lower, steering ball race (D)	1
67	07770223	Support, handlebar	1		05770121	Protection, lower, steering ball race (LD)	1
68	15061018	Ring, steering adjustment	1		79	40770228	Upper cone, lower steering ball race
69	12770221	Plastic tube, cables protection	1	80	15060020	Ball race, steering adjustment	1
70	11770301	Indicator support, for gear shift	1	81	15060028	Cone, for lower steering ball race	1
71	06770311	Spacing washer, for handgrip	1				



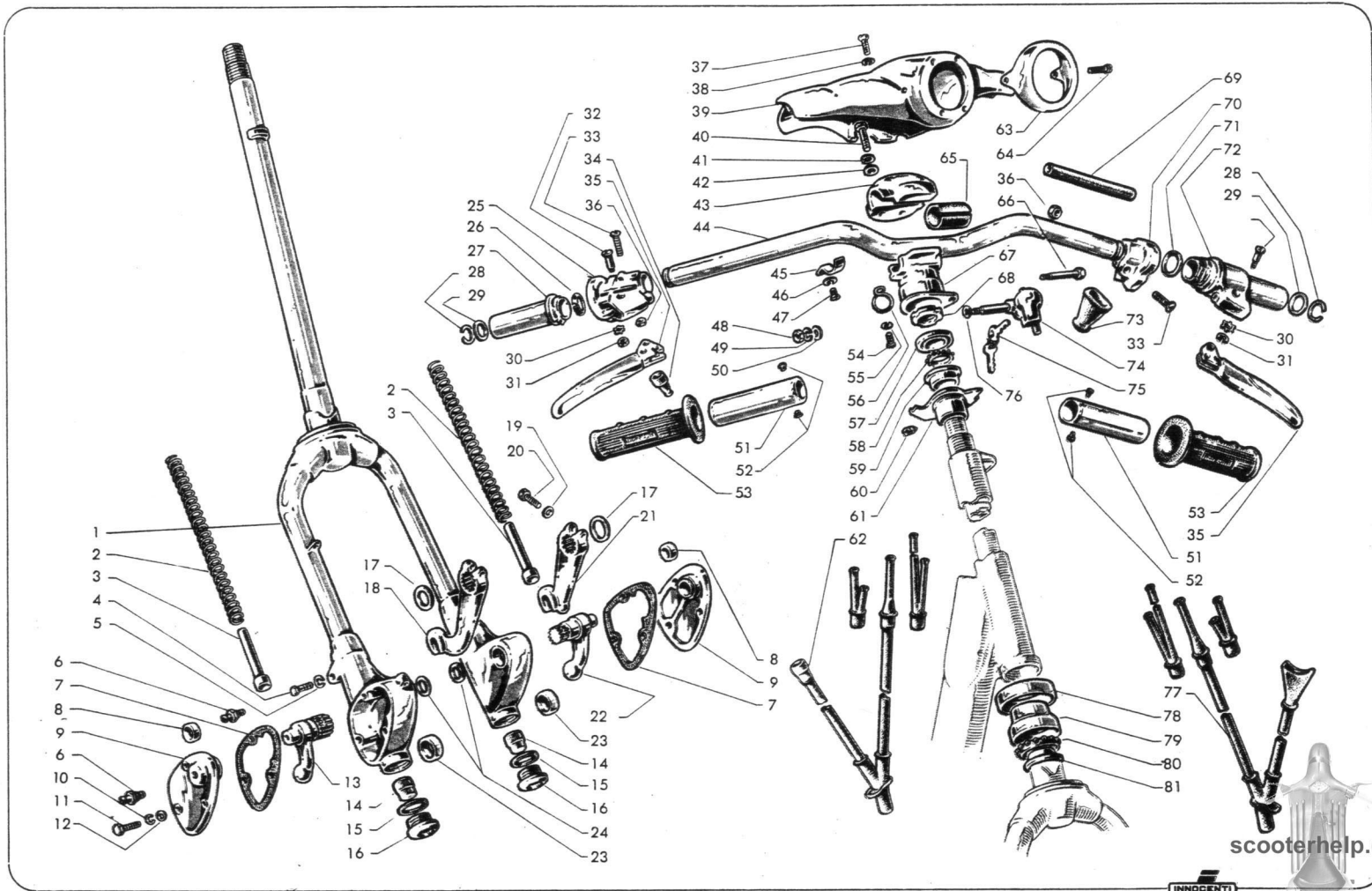


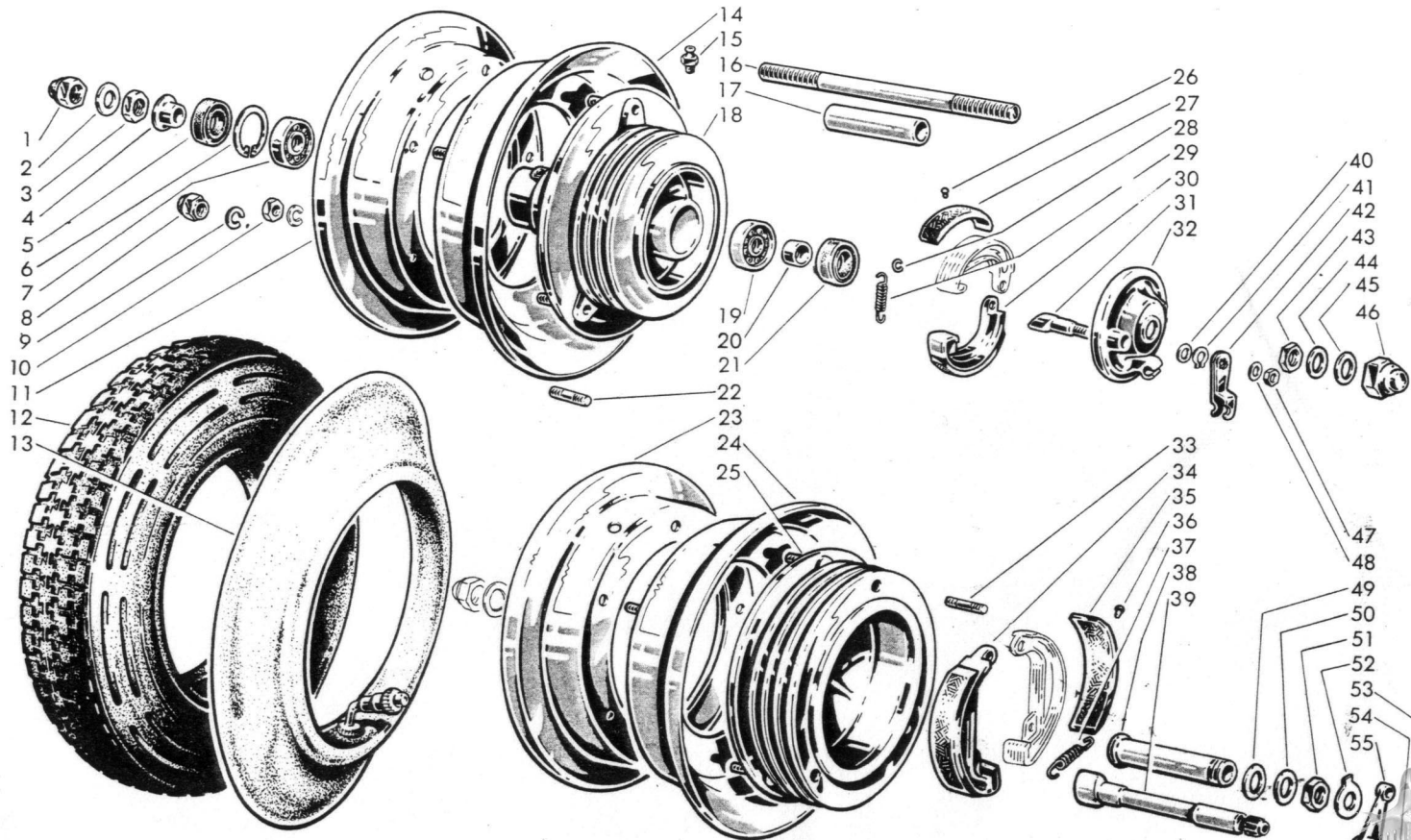
Fig. No.	Part No.	Description	Quantity	Fig. No.	Part No.	Description	Quantity
1	15044070	Dome nut, front wheel axle	1	28	99094424	Circlip, front brake shoe pin	1
2	15044014	Plain washer, for nut at fig. 1	1	29	99094419	Return spring, front brake shoes	1
3	72070012	Nut, locking front wheel bearing	1	30	99094450	Shoe, front brake, complete with lining	2
4	02160112	Distance piece, L.H. (for oil seal 02160137) (D-LD)	1	31	99104429	Operating cam, front brake	1
	12160142	Distance piece, L.H. (for oil seal 15044011) (LD)	1		11160121	Operating cam, front brake (After machine: n. 235761 for LD/150 and n. 244945 for LD/125)	1
5	02160137	Oil seal, (17 x 32 x 10) front wheel	1	32	07161066	Back plate, for front wheel hub, without dust protector	1
	15044011	Oil seal, (17 x 32 x 7) front wheel	1		11161071	Back plate, for front wheel hub, with dust protector	1
6	73250032	Circlip, retaining front wheel bearing	1	33	03160801	Stud, rear wheel hub	3
7	15044005	Bearing, front wheel	1	34	99094530	Shoe, rear wheel, complete with lining	2
8	99098404	Dome nut, for fixing front and rear wheels to hubs	6	35	99094506	Lining, rear brake shoes	2
9	73170084	Spring washer, for nuts at figs. 8 - 10	12	36	99094431	Rivet, brake shoe lining	16
10	72000008	Nut, for securing wheel rims	6	37	99094507	Return spring, rear brake shoes	1
11	03160808	Rim, L. H. front wheel	1	38	07330346	Bush, rear brake operating cam	1
12	99094425	Tyre, 4,00" x 8"	2	39	07330345	Operating cam, rear brake shoes	1
13	99094426	Inner tube, 4,00" x 8"	2	40	12160143	Spacing washer, for operating cam 11160121 (LD)	1
14	03161056	Rim, R. H. for front wheel	1	41	73260011	Circlip, retaining operating cam 11160121 (LD)	1
	87020006	Grease nipple, front wheel hub	1	42	99094460	Lever, front brake shoes for operating cam 99104429 (D-LD)	1
87020008	Grease nipple, front wheel hub	1	11161016		Lever, front brake shoes for operating cam 11160121 (LD)	1	
16	19044004	Axle, front wheel	1	43	72070012	Nut, for locking front wheel bearings	1
17	02160111	Spacer, for bearings	1	44	99094416	Spacing washer, R. H. front wheel axle	1
*18	11161045	Hub, front wheel with dust protector, complete with fig. 22	1	45	15044014	Plain washer, for nut at fig. 45	1
19	15044005	Ball bearing	1	46	15044070	Dome nut, front wheel axle	1
	06160139	Distance piece, R.H. (for oil seal 02160137) (D-LD)	1	47	72060006	Nut, for fixing operating cam 99104429 (D-LD)	1
20	12160141	Distance piece, R.H. (for oil seal 15044011) (LD)	1		72030008	Nut, for fixing operating cam 11160121 (LD)	1
	21	02160137	Oil seal, (17 x 32 x 10) front wheel	1	48	73010064	Plain washer, for nut at fig. 47
15044011		Oil seal, (17 x 32 x 7) front wheel	1	83110008		Spring washer, for nut at fig. 47	1
22	03160801	Stud, front wheel hub	3	49	07330347	Gasket, operating cam bush	1
23	03160808	Rim, L.H. rear wheel	1	50	07330331	Washer, cam bush locking nut	1
24	03161056	Rim, R.H. rear wheel	1	51	07330330	Nut, for locking cam bush	1
**25	11161044	Hub, rear wheel with dust protector, complete with fig. 33	1				
26	99094431	Rivet, brake shoe lining	16				
27	99094418	Lining, front brake shoe	2				

\* It is supplied in replacement of the hub without dust protector. In any case also the back plate No. 07161066 must be replaced with part number 11161016 at fig. 6 section I.

\*\* It is supplied in replacement of the hub without dust protector. In any case also the back plate No. 07331016 must be replaced with part number 11331016 at fig. 6 section I.



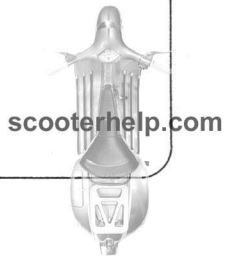




scooterhelp.com



Fig. No.	Part No.	Description	Quantity	Fig. No.	Part No.	Description	Quantity
52	07330333	Tab washer, cam bush locking nut	1	54	73260011	Circlip, retaining rear brake operating lever	1
53	87020006	Grease nipple, for operating cam	1	55	07330332	Operating lever, rear brake control	1



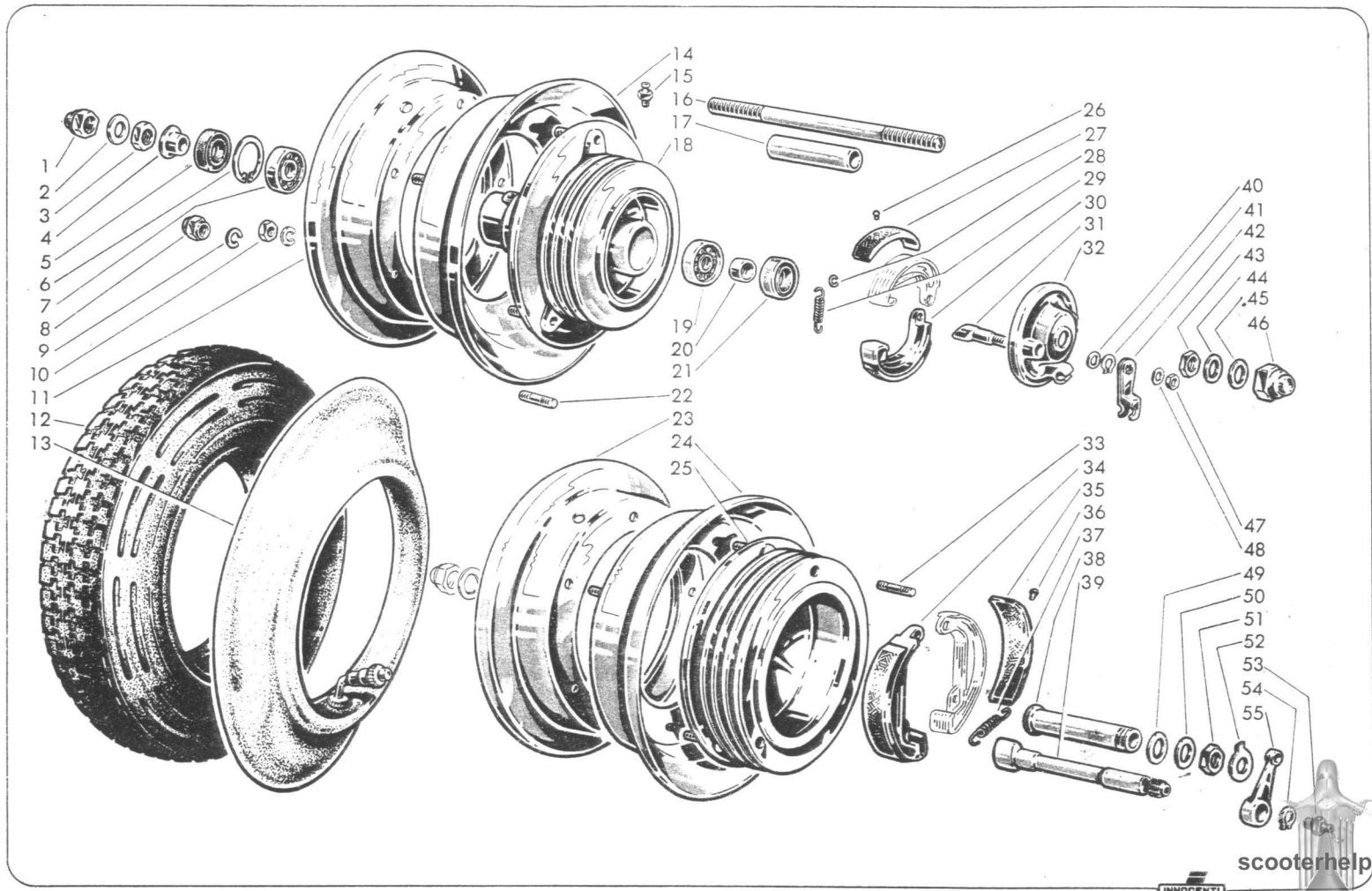
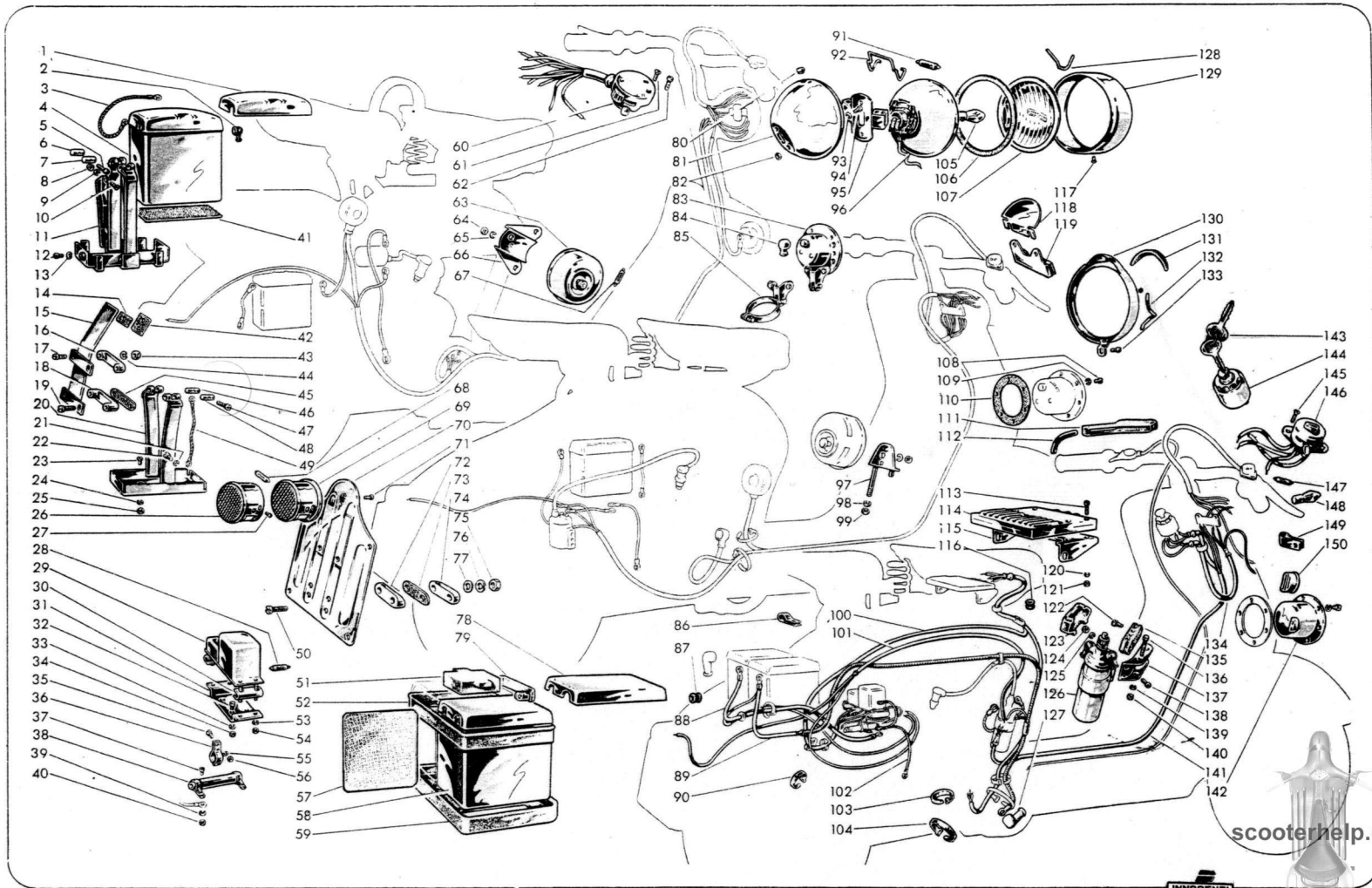


Fig. No.	Part No.	Description	Quantity	Fig. No.	Part No.	Description	Quantity
1	11010466	Cover, for battery (SCAINI) (D-LD/150)	1	36	12010465	Band, retaining resistance (LD electric starter)	1
	19081032	Cover, for battery (FIAMM) (D-LD/150)	1	37	70360307	Screw, connecting resistance (LD electric starter)	2
2	14080102	Protection cap, for battery terminal (D-LD/150)	1	38	12011541	Resistance 3,5 Ω (LD electric starter)	1
3	11011177	Earth wire, for battery (D)	1	39	73170032	Spring washer, for nuts at fig. 40 (LD electric starter)	2
4	19081170	Battery, complete with cover (D-LD/150)	1	40	72000003	Nut, for screws at fig. 37 (LD electric starter)	2
5	70880430	Screw, for strap retaining battery (D)	1	41	11010558	Felt, for battery (D-LD/150)	1
6	15081029	Threaded trunnion (D)	1	42	11010610	Gasket, for number plate support (D)	1
7	15081031	Bored trunnion (D)	1	43	72030005	Nut, for screws at figs. 17 - 19 (D)	4
8	72030005	Nut, for screws at fig. 10 (D)	2	44	73170053	Spring washer, for nuts at fig. 43 (D)	4
9	73170053	Spring washer, for nuts at fig. 8 (D)	2	45	11010609	Gasket, for number plate support (D)	1
10	71360512	Screw, fixing battery support (D)	2	46	15081029	Threaded trunnion (LD/150)	1
11	11011451	Support, battery (D)	1	47	70880430	Screw, fixing battery straps (LD/150)	1
12	70850406	Screw, locking earth wire (D)	1	48	15081031	Bored trunnion (LD/150)	1
13	73170043	Spring washer, for screw at fig. 12 (D)	1	49	11011177	Earth wire, for battery (LD/150)	1
14	11010611	Gasket, for number plate support (D)	1	50	71020528	Screw, fixing number plate (LD)	1
15	07011221	Support, for number plate (D)	1	51	12180266	Rubber pad, for battery (LD electric starter)	1
16	07010603	Spacer, upper, for number plate support (D)	1	52	12010469	Rubber ring, retaining battery (LD electric starter)	1
17	71020525	Screw, fixing number plate (D)	2	53	73170043	Spring washer, for nuts at fig. 54 (LD electric starter)	8
18	11010608	Spacer, lower, for number plate support (D)	1	54	72000004	Nut, for locking support at fig. 30 (LD electric starter)	8
19	71020530	Screw, fixing number plate (D)	2	55	73170032	Spring washer, for nuts at fig. 56 (LD electric starter)	2
20	12011201	Support, for battery (LD/150)	1	56	72000003	Nut, for screws at fig. 35 (LD electric starter)	2
21	73170043	Spring washer, for screw at fig. 22 (LD/150)	1	57	12010468	Separator, for battery (LD electric starter)	1
22	70850406	Screw, for locking earth wire (LD/150)	1	58	12011521	Battery, with cover (LD electric starter)	2
23	71360512	Screw, for fixing battery support (LD/150)	2	59	12010459	Elastic support, for battery (LD electric starter)	1
24	73170053	Spring washer, for nuts at fig. 25 (LD/150)	2	60	11011186	Switch, with cables (LD/150)	1
25	72030005	Nut, for screws at fig. 23 (LD/150)	2		11011491	Switch, with cables (LD/125)	1
26	07011067	Rim, with red gem	1	61	99098104	Screw, fixing switch (D-LD/150)	2
27	99098304	Screw, for locking rim	2	62	06010358	Screw, fixing switch cover (D-LD/150)	2
28	87200008	Fuse, 8 Ampere (LD electric starter)	1	63	15081250	Rectifier (D-LD/150)	1
29	12011526	Fuse-relay group (LD electric starter)	1	64	72030006	Nut, fixing rectifier (D-LD/150)	1
30	12011501	Antivibration support (LD electric starter)	2	65	73170064	Spring washer, for nut at fig. 64 (D-LD/150)	1
31	12010464	Support, for fuse-relay group (LD electric starter)	1	66	11010552	Support, rectifier (D)	1
32	70360510	Screw, fixing support (LD electric starter)	2	67	87200005	Fuse, for rectifier (D-LD/150)	1
33	73170053	Spring washer, for screws at fig. 32 (LD electric starter)	2				
34	72000005	Nut, for screws at fig. 32 (LD electric starter)	2				
35	70910310	Screw, fixing band (LD electric starter)	2				





scooterhelp.com



Fig. No.	Part No.	Description	Quantity	Fig. No.	Part No.	Description	Quantity
68	12010154	Bulb, for tail light 12 V - 3 W (LD electric starter)	1		07010146	Bulb, for city light 12 V - 10 W (for machine without battery)	1
	15080004	Bulb, for tail light 6 V - 5 W (D-LD)	1	91	15080004	Bulb for city light 6 V - 5 W (for machine without battery)	1
—	11011071	Number plate, complete with figs. 69 - 70 - 71	1		40010168	Clip, holding lampholder (CARELLO)	1
69	07011066	Tail light, complete	1		15080008	Clip, holding lampholder (CEV)	1
70	40011811	Number plate	1	92	73170053	Spring washer, for screws at fig. 94 (D)	2
71	75710307	Rivet, fixing tail light (D-LD/150)	2	94	70360516	Screw, fixing junction box (D)	2
72	08010603	Spacer, external, for number plate (LD)	2	95	07011266	Junction Box (D)	1
73	12010606	Gasket, for spacers (LD)	2	96	07011337	Lighting Group, with clip at fig. 92	1
74	08010604	Spacer, internal, for number plate (LD)	2	97	12011496	Support, for rectifier (LD/150)	1
75	72030005	Nut, for screws at fig. 50 (LD)	4	98	73170053	Spring washer, for nut at fig. 99 (LD/150)	1
76	73170053	Spring washer, for nuts at fig. 75 (LD)	4	99	72030005	Nut, fixing rectifier support (LD/150)	1
77	73010053	Plain washer, for nuts at fig. 75 (LD)	4	100	12011801	Wire, for connecting flywheel magneto to rectifier, H.T. coil and relay (LD electric starter)	1
78	12010472	Cover, for battery (LD electric starter)	2	101	12011641	Wire, for connecting junction box to relay and tail light (LD electric starter)	1
79	12011546	Connecting bar, battery poles (LD electric starter)	1	102	11011366	Earth wire	1
80	08010142	Light indicator (D)	1	103	86500180	Band, retaining cables (LD electric starter)	1
81	99108010	Headlamp housing (D)	1	104	86500260	Band, retaining cables (LD electric starter)	1
82	73030053	Adjustment washer, headlamp (D)	1	105	15080003	Bulb, twin-filament 6 V - 25/25 W (D-LD)	1
83	99098120	Horn (D-LD/150)	1		02000117	Bulb, yellow, twin-filament 6 V - 25/25 W (D-LD)	1
84	14080102	Protection cap, for horn (D-LD/150)	1	106	99108032	Gasket, for glass	1
85	06011068	Bracket, for horn (D)	1	107	99108031	Glass, for headlamp	1
86	12010596	Band, retaining cables (LD electric starter)	2	108	71200312	Screw, fixing horn (LD)	4
87	12010595	Grommet, for battery cables (LD electric starter)	1	109	73170032	Spring washer, for screws at fig. 108 (LD)	4
88	12011601	Earth wire, from battery negative terminal to frame (LD electric starter)	1	110	08010302	Spacer, for horn (LD)	1
89	12011796	Wire, from battery positive terminal, to electric motor and to the fuse relay group (LD electric starter)	1	111	12010421	Rubber protection, for rectifier wires (LD electric starter)	1
90	86510110	Band, retaining cables (LD electric starter)	3	112	12010580	Protection tube, for rectifier wires (LD electric starter)	1
—	11011456	Headlamp, « CARELLO » complete with figs. 96 - 106 - 128 - 129 (D)	1	113	70940422	Screw, fixing rectifier (LD electric starter)	4
—	11011461	Headlamp « CEV » complete with figs. 96 - 106 - 128 - 129 (D)	1	114	12011531	Rectifier, double bridge (LD electric starter)	1
—	12011651	Headlamp « CARELLO » complete with figs. 96 - 106 - 130 - 132 (LD)	1	115	12010446	Support, for rectifier (LD electric starter)	1
—	12011656	Headlamp « CEV » complete with figs. 96 - 106 - 130 - 132 (LD)	1	116	12010594	Grommet, for rectifier wire (LD electric starter)	1
				117	99098011	Screw, fixing headlamp rim (D)	1
				118	08010144	Deflector, for city light (LD)	1
				119	05011041	Junction box, for headlamp (LD)	1



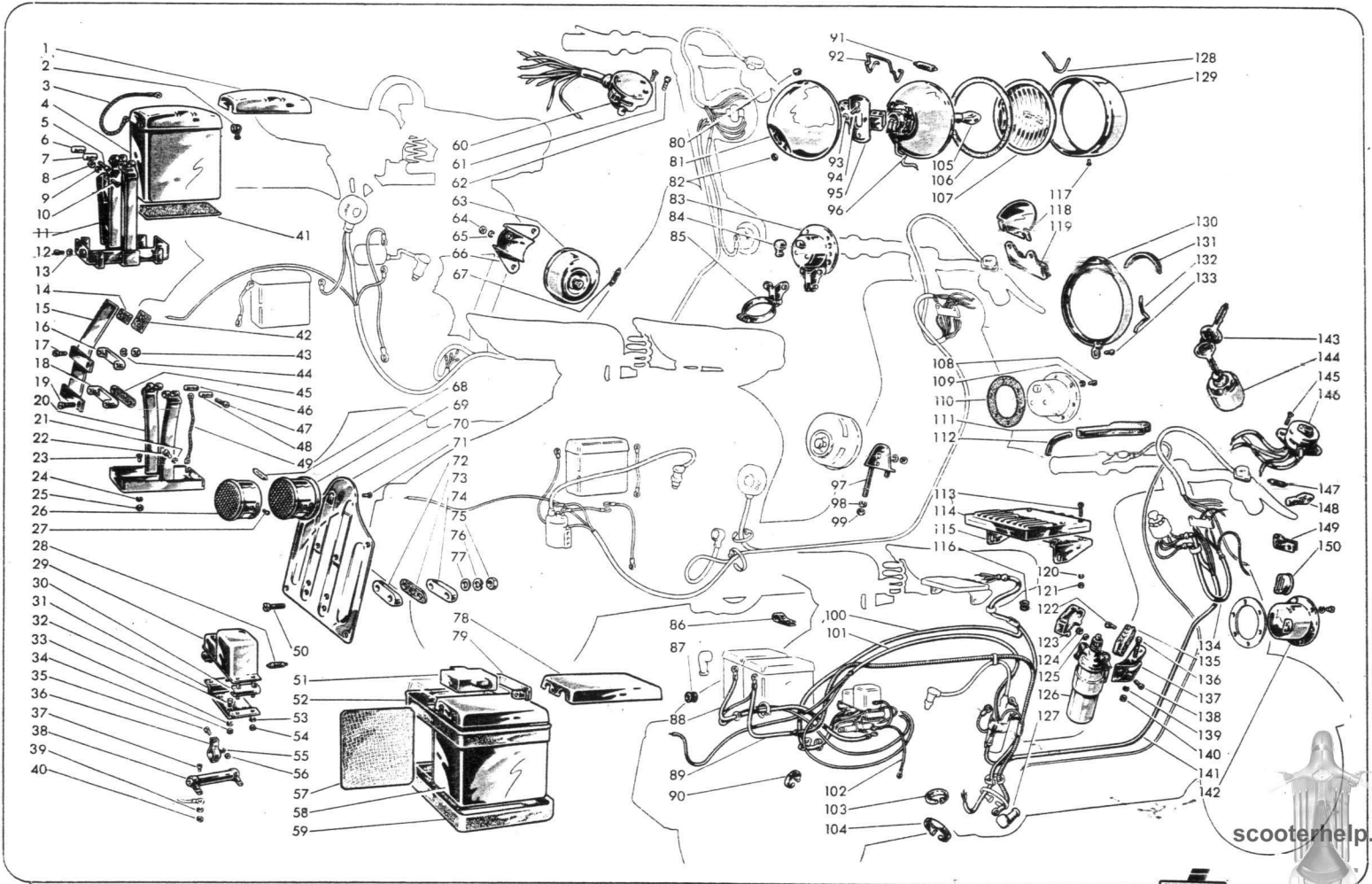


Fig. No.	Part No.	Description	Quantity	Fig. No.	Part No.	Description	Quantity
120	73170043	Spring washer, for nuts at fig. 121 (LD electric starter)	4	136	70300550	Screw, fixing H. T. coil support (LD electric starter)	2
121	72030004	Nut, for screws at fig. 113 (LD electric starter)	4	137	12010586	Support, for H. T. coil (LD electric starter)	1
122	70910312	Screw, for fixing junction box (LD electric starter)	2	138	70850616	Screw, fixing H. T. coil (LD electric starter)	2
123	12010463	Protection cap, for junction box (LD electric starter)	1	139	73170053	Spring washer, for nut at fig. 140 (LD electric starter)	2
124	72030006	Nut, for screws at fig. 138 (LD electric starter)	2	140	72030005	Nut, for screws at fig. 136 (LD electric starter)	2
125	73170064	Spring washer, for nuts at fig. 124 (LD electric starter)	2	141	12011626	Wire, connecting junction box to switch (LD electric starter)	1
126	12011576	H. T. Coil, Bosch, TJ 12/3 (LD electric starter)	1	142	12011571	Horn (LD electric starter)	1
127	08010529	Protection cap, for wires terminal (LD electric starter)	2	*143	15081037	Key, for ignition switch (LD electric starter)	2
128	99108033	Clip, retaining reflector (D)	4	144	12011566	Ignition switch, complete with keys (LD electric starter)	1
129	99108016	Rim, headlamp (CARELLO) (D)	1	145	99098104	Screw, fixing switch (LD electric starter)	2
	99098002	Rim, headlamp (CEV) (D)	1	146	12011621	Switch, for lighting (LD electric starter)	1
130	08011406	Rim, for headlamp (LD)	1	147	12010153	Bulb, for city light 12 V - 5 W (LD electric starter)	1
131	05010113	Gasket, for headlamp rim (LD)	1	148	12010152	Bulb, twin-filament 12 V - 25/25 W (LD electric starter)	1
132	05010131	Clip, retaining reflector (LD)	4	149	12010451	Band, fixing wire connecting electric motor (LD electric starter)	1
133	70910412	Screw, fixing headlamp rim (LD)	1	150	12010304	Protection cap, for horn terminals.	1
134	12011636	Wire, connecting junction box to switch (LD electric starter)	1				
135	12011556	Junction box (LD electric starter)	1				

\* When ordering spare keys, please always specify the manufacturer and the serial number stamped on the switch base.







Fig. No.	Part No.	Description	Quantity	Fig. No.	Part No.	Description	Quantity
1	11010466	Cover, for battery (SCAINI)	(LD/150) 1	31	15081031	Bored trunnion, for battery strap (LD electric starter)	1
	19081032	Cover, for battery (FIAMM)	(LD/150) 1	32	15081029	Threaded trunnion, for battery strap (LD electric starter)	1
2	14080102	Protection cap, for battery terminal	(LD/150) 1	33	12010459	Elastic support, for battery poles (LD electric starter)	1
3	15081029	Threaded trunnion	(LD/150) 1	34	12011546	Connecting bars, for battery poles (LD electric starter)	1
4	70880430	Screw, for strap retaining battery	(LD/150) 1	35	12011521	Battery (LD electric starter)	2
5	15081031	Bored trunnion	(LD/150) 1	36	12010469	Rubber ring, connecting battery (LD electric starter)	1
6	11011177	Earth wire, for battery	(LD/150) 1	37	12010609	Bar, fixing tail light	1
7	70850406	Screw, locking earth wire	(LD/150) 1	38	73010053	Plain washer, for nuts at fig. 40	2
8	73170043	Spring washer, for screw at fig. 7	(LD/150) 1	39	73170053	Spring washer, for nuts at fig. 40	2
9	71360512	Screw, fixing battery support	(LD/150) 2	40	72030005	Nut, fixing tail light	2
10	12011201	Support, for battery	(LD/150) 1	41	71020528	Screw, for fixing number plate (lower part)	2
11	73170053	Spring washer, for nuts at fig. 12	(LD/150) 2	42	70910512	Screw, for fixing number plate (upper part)	2
12	72030005	Nut, fixing battery support	(LD/150) 2	43	12010608	Number plate	1
13	19081170	Battery, complete with fig. 1	(LD/150) 1	44	08010302	Spacing ring	1
14	11010558	Felt, for battery	(LD/150) 1	45	12010304	Protection cap, for horn cable (LD/125-150)	1
15	12010472	Cover, for battery (150/LD electric starter)	2	46	12011731	Horn (125-150/LD)	1
16	12010468	Felt, battery (150/LD electric starter)	1	47	73170032	Spring washer, for screws at fig. 48	4
—	12011821	Tail light, complete with figs. 18 - 19 - 21 - 22	1	48	71200312	Screw, fixing horn	4
—	12090384	Tail light, with stop light, complete with figs. 18 - 19 - 21 - 22	1	49	08010529	Protection cap, for battery terminal (LD electric starter)	2
17	12010611	Gasket, for tail light	1	50	12011861	Support, for battery (LD electric starter)	1
18	12011826	Body, for tail light lamp holder	1	51	12010526	Grommet, for electric wires, (LD electric starter)	1
19	12011831	Lamp holder	1	52	70450508	Screw, fixing battery support (LD electric starter)	4
	08010605	Bulb, 6 V - 1,5 W	(LD/150) 1	53	73170053	Spring washer, for screws at fig. 52 (LD electric starter)	4
20	12010154	Bulb, 12 V - 3 W (LD/150 electric starter)	1	54	12011771	Earth wire, for tail lamp	1
	15080004	Bulb, 6 V - 5 W	(LD/125) 1	55	73170053	Spring washer, for nuts at fig. 56	2
21	12010610	Red gem	1	56	72030005	Nut, for screws at fig. 42	2
22	19083005	Screw, fixing red gem	2	57	08010604	Block, internal, fixing number plate	1
23	72030006	Nut, fixing rectifier (LD/150)	1	58	73010053	Plain washer, for nuts at fig. 60	2
24	73170064	Spring washer, for nut at fig. 23	(LD/150) 1	59	73170053	Spring washer, for nuts at fig. 60	2
25	15081250	Rectifier	(LD/150) 1	60	72030005	Nut, for screws at fig. 41	1
26	87200005	Fuse, for rectifier 5 Ampere	(LD/150) 1				
27	12011496	Bracket, for rectifier	(LD/150) 1				
28	73170053	Spring washer, for nut at fig. 29	(LD/150) 1				
29	72030005	Nut, for fixing rectifier bracket	(LD/150) 1				
30	70880430	Screw, fixing battery strap (LD electric starter)	1				



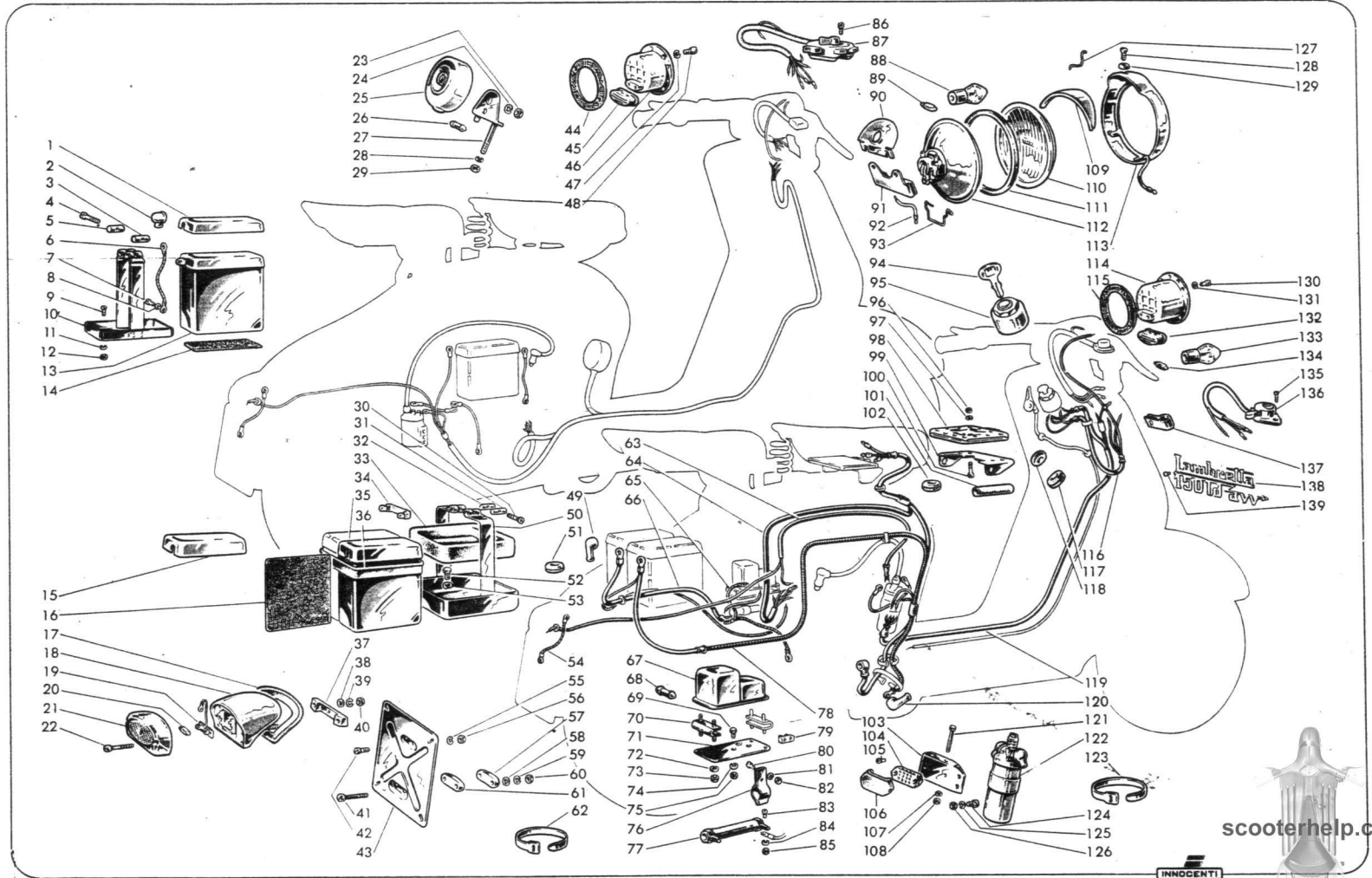


Fig. No.	Part No.	Description	Quantity	Fig. No.	Part No.	Description	Quantity
61	08010603	Block, external, fixing number plate	1	86	70910316	Screw, fixing switch (LD electric starter)	2
62	86500180	Clip, anchoring cables (LD electric starter)	1	87	{ 12011716	Switch, complete (LD/150)	1
63	12011641	Cable, complete, from junction box to relay and tail light (LD electric starter)	1	—	12011726	Switch, complete (LD/125)	1
64	12011801	Cable, complete, from flywheel magneto to rectifier, H. T. coil, and relay (LD electric starter)	1	—	12011701	Headlamp, complete (CEV)	1
65	11011366	Earth wire	1	—	12011721	Headlamp, complete (CARELLO)	1
66	12011601	Earth wire, from battery negative terminal to frame (LD electric starter)	1	—	12011961	Headlamp, complete (APRILIA)	1
67	12011526	Fuse-relay group (LD electric starter)	1	88	{ 02000117	Bulb, yellow, twin-filament 6 V - 25/25 W (D-LD)	1
68	87200008	Fuse, 8 Ampere, (LD electric starter)	1	—	15080003	Bulb, twin-filament 6 V - 25/25 W (D-LD)	1
69	70360510	Screw, fixing antivibration support (LD electric starter)	2	89	{ 15080004	Bulb, for city light 6 V - 5 W (LD/150)	1
70	12011501	Antivibration support (LD electric starter)	2	—	07010146	Bulb, for city light 12 V - 10 W (LD/125)	1
71	12010474	Support, for fuse-relay group (LD electric starter)	1	90	12010165	Deflector, for city light	1
72	73170043	Spring washer, for nuts at fig. 73 (LD electric starter)	8	91	12011676	Junction box, with earth wire at fig. 92	1
73	72000004	Nut, fixing fuse-relay group (LD electric starter)	8	92	11011481	Earth wire, for headlamp	1
74	73170053	Spring washer, for nuts at fig. 75 (LD electric starter)	2	93	{ 15080008	Clip, retaining lampholder (CEV)	1
75	72030005	Nut, for screws at fig. 69 (LD electric starter)	2	—	40010168	Clip, retaining lampholder (CARELLO)	1
76	12010465	Band, retaining resistance (LD electric starter)	1	*94	15081037	Key, for ignition switch (LD electric starter)	2
77	12011541	Resistance, 3,5 Ohm (LD electric starter)	1	95	12011566	Ignition switch, complete with keys (LD electric starter)	1
78	12011796	Wire, from battery positive terminal, to starter motor, and to the relay group (LD electric starter)	1	96	72030004	Nut, for screws at fig. 100 (LD electric starter)	4
79	12011591	Junction box (LD electric starter)	1	97	73170043	Spring washer, for nuts at fig. 96 (LD electric starter)	4
80	70910310	Screw, fixing band at fig. 76 (LD electric starter)	2	98	12011786	Rectifier, double bridge (LD electric starter)	1
81	73170032	Spring washer, for nuts at fig. 82 (LD electric starter)	2	99	12010446	Support, for rectifier (LD electric starter)	1
82	72000003	Nut, for screws at fig. 80 (LD electric starter)	2	100	70940422	Screw, fixing rectifier (LD electric starter)	4
83	70360307	Screw, connecting resistance (LD electric starter)	2	101	12010525	Protection cap, for rectifier terminals (LD electric starter)	3
84	73170032	Spring washer, for nuts at fig. 85 (LD electric starter)	2	102	12010594	Grommet, for rectifier cable (LD electric starter)	1
85	72000003	Nut, for screws, at fig. 83 (LD electric starter)	2	103	12010586	Bracket, H. T. coil (LD electric starter)	1
				104	12011556	Junction box (LD electric starter)	1
				105	70910312	Screw, fixing junction box (LD electric starter)	2
				106	12010463	Protection, for junction box (LD electric starter)	1
				107	73170053	Spring washer, for nuts at fig. 108 (LD electric starter)	2
				108	72030005	Nut, for screws at fig. 121 (LD electric starter)	2
				109	12010160	Hood, for headlamp	2

\* When ordering spare keys, please always specify the manufacturer and the serial number stamped on the switch base.



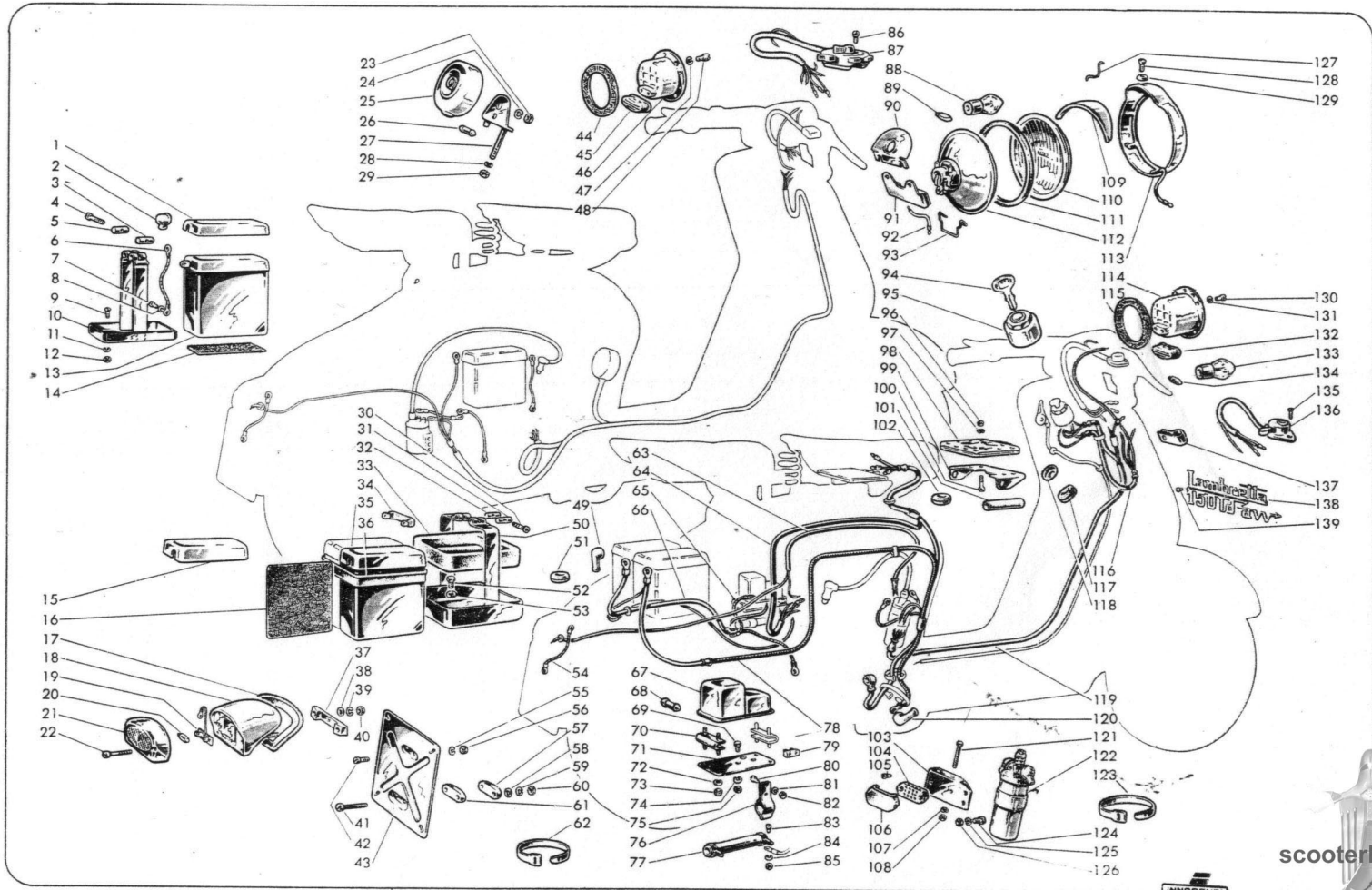


Fig. No.	Part No.	Description	Quantity
110	99108031	Glass, for headlamp	1
111	99108032	Gasket, for glass	1
112	07011337	Lighting group, complete with clip at fig. 93	1
113	12011836	Rim, for headlamp, (CARELLO)	1
	12011841	Rim, for headlamp (CEV)	1
	12012046	Rim, for headlamp (APRILIA)	1
114	12011706	Horn (LD electric starter)	1
115	08010302	Spacing ring, for horn (LD electric starter)	1
116	12011636	Cable, from switch to headlamp junction box (LD electric starter)	1
117	12010594	Grommet, for starter motor control (LD electric starter)	1
118	12010595	Grommet, for starter motor control (LD electric starter)	1
119	12011626	Cable, from switch to junction box (LD electric starter)	1
120	08010529	Protection cap, for starter motor control cable (LD electric starter)	1
121	70300550	Screw, fixing support (LD electric starter)	2
122	12011576	H. T. coil, Bosch TJ 12/3 (LD electric starter)	1
123	86500260	Band, retaining cables (LD electric starter)	1

Fig. No.	Part No.	Description	Quantity
124	70850616	Screw, fixing H.T. coil (LD electric starter)	2
125	73170064	Spring washer, for nuts at fig. 126 (LD electric starter)	2
126	72030006	Nut, for screws at fig. 124 (LD electric starter)	2
127	05010131	Clip, retaining reflector	4
128	12010163	Screw, fixing rim	3
129	15080002	Cone washer, for screws at fig. 128	3
130	71200312	Screw, fixing horn	4
131	73170032	Spring washer, for screws, at fig. 130	4
132	12010304	Protection cap, for horn cable (LD electric starter)	1
133	12010152	Bulb, twin-filament 12 V - 25/25 W (LD electric starter)	1
134	12010153	Bulb, for city light 12 V - 5 W (LD electric starter)	1
135	99098104	Screw, fixing double throw switch (LD electric starter)	2
136	12011791	Double throw switch, complete (LD electric starter)	1
137	12010451	Band, retaining electric wires (LD electric starter)	1
138	12180184	Name plate, for legshield (LD electric starter)	1
139	75700245	Rivet, for name plate (LD electric starter)	2



Fig. No.	Part No.	Description	Quantity	Fig. No.	Part No.	Description	Quantity
—	00850523	Starter motor, with clutch cover	1	28	00850246	Screw, for fixing starter switch	2
1	00851247	Oil-seal	1	29	73170053	Spring washer, for screws at fig. 28	2
2	00851250	Bush, splined shaft	1	30	00851391	Starter switch, complete	1
3	00851177	Bush, for supporting splined shaft	1	31	00851394	Gasket, for starter switch	1
4	00851301	Free wheel	1	32	00851413	Gasket, for brush holder	1
5	74400330	Split pin, for gear control shaft	1	33	00851424	Brush holder	1
6	71060620	Screw, fixing support flange	1	34	00851330	Bush, for brush holder	1
7	73170064	Spring washer, for screw, at fig. 6	1	35	73010043	Plain washer, for seal ring at fig. 36	2
8	00851315	Clutch cover, complete with figs. 1-2-3	1	36	00611018	Seal ring	2
9	00851422	Ring, locking gear at fig. 10.	1	37	08010441	Bush, for cable adjustment	1
10	00851324	Gear, armature splined shaft	1	38	08010443	Counternut, for adjustment pin	1
11	00851312	Gear, with splined shaft	1	39	08010442	Pin, for adjustment cable	1
12	00854652	Key, for locking gear	1	40	12011396	Cable, starter control	1
13	00854624	Bush, armature shaft	1		12011866	Cable, starter control (for machine with epicyclical starter)	1
14	00851259	Seal ring	1	41	72060004	Nut, for wire terminal	1
15	00854633	Return spring, free wheel	1	42	15031007	Spacing bush	1
16	00851279	Shaft, gear control	1	43	72060004	Nut, for wire terminal	1
17	00851311	Gasket, for support flange	1	44	00661050	Plain washer, for nuts at fig. 43	2
18	00851436	Support flange, complete, with fig. 13	1	45	00851332	Spring, brushes control	2
19	00851421	Armature	1	46	00851412	Brush	2
20	00851307	Tie rod, for locking motor frame	2	47	73170043	Spring washer, for screws at fig. 48	2
21	00851420	Motor frame, complete with figs. 22-24	1	48	70850409	Screw, fixing brush to holder	2
22	71300610	Screw, for locking polar pieces	4	49	00851398	Protection hose, for switch pin	1
23	12011491	Lever, starter control	1	50	73170053	Spring washer, for nuts at fig. 51	2
	12011741	Lever, starter control (only for machine with epicyclical starter)	1	51	72060005	Nut, for locking starter motor	2
24	00851471	Armature field	1	52	00851306	Cover, commutator side	1
25	73170064	Spring washer, for screws at fig. 26	2	53	73170043	Spring washer, for nuts at fig. 54	2
26	71060665	Screw, fixing support flange to clutch cover	2	54	72060004	Nut, fixing cover to tie rod	2
27	00851395	Seal ring	1				



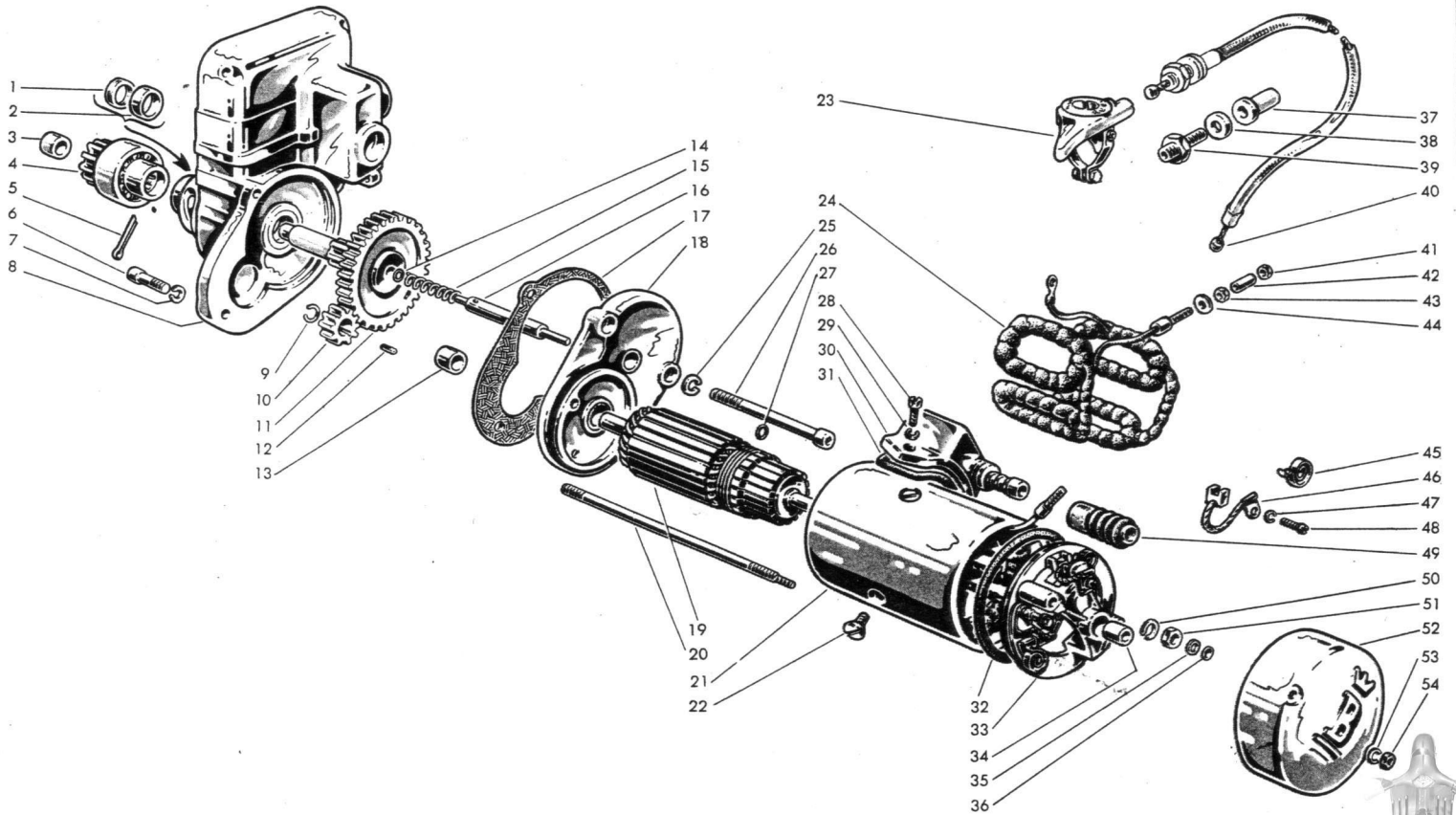




Fig. No.	Part No.	Description	Quantity	Fig. No.	Part No.	Description	Quantity	
—	00831586	MVB 4 E						
1	11010511	Flywheel magneto, « Marelli » (without flange at fig. 35)	1	32	00831611	{ AVS 2/40-D AVS 2/41-A	Contact points	1
2	72030004	Protection cup, H.T. coil terminals	2	33	00831574	90058-301	Shim, for contact points	1
3	73170043	Nut, for screws fixing H.T. coil	3	34	00831460	N. 1853/4	Circlip, retaining contact points	1
4	70300414	Spring washer, for nuts at fig. 2	3	35	11110113		Flange, flywheel magneto	1
5	00831579	B 101 E		36	00831590	MVA 21/11-D	Stator plate	1
6	12011081	H. T. coil	1	37	00831551	MVB 4/30-C	L. T. lighting coil (D-LD/150)	1
7	00831549	MVB 4/25-B			00831584	MVB 4/30-D	L. T. lighting coil (LD/125)	1
8	00831526	MVB 4/25-A		38	87030008		Grease nipple, for crankshaft bearing	1
9	73170053	L. T. ignition coil (LD/125)	1	39	14010014		Gasket, for breather plug	1
10	00831423	90012/171		40	11110112		Breather plug	1
11	00831437	95086-1		—	00811413	C. 12336	Flywheel magneto « Filso » (without flange at fig. 48 (LD electric starter)	1
12	00831482	AVS 2/410-1		—	00811426	C 12340	Flywheel magneto « Filso » (without flange at fig. 48 (LD electric starter)	1
13	00831424	90024-3		41	99098221		Protection cap, L. T. socket	1
14	00831461	90010-131		42	71200410		Screw, fixing L. T. socket	1
15	00831522	90022-51		43	11011231		L. T. socket	1
16	00831410	MVA 21/12-A		44	11010515		Gasket, for L. T. socket	1
17	00831431	90034-221		45	87030008		Grease nipple, for crankshaft bearing	1
18	00831555	MVB 4/521-1		46	14010014		Gasket, for breather plug	1
19	00831589	MVB 4/55 C		47	11110112		Breather plug	1
20	00831588	MVB 4/520-2		48	11110113		Flange, flywheel magneto	1
21	99098221	Protection cup, L. T. socket	1	49	73030053		Plain washer, for screws at fig. 51	3
22	71200410	Screw, fixing L. T. socket	1	50	73170053		Spring washer, for screws, at fig. 51	3
23	11011231	L. T. socket	1	51	70850518		Screw, fixing stator plate	3
24	11010515	Gasket, for L. T. socket	1	52	00811352	E 12045	Stator plate	1
25	73030053	Plain washer, for screws at fig. 25	3	53	11010511		Protection cup, H.T. coil terminals	2
26	73170053	Spring washer, for screws at fig. 25	3	54	00811384	C. 12128/1	H. T. coil	1
27	70850518	Screw, fixing stator plate	3	55	73170043		Spring washer, for screws, at fig. 56	3
28	00831521	CE 4 H		56	70360410		Screw, fixing H. T. coil	3
29	00831426	90024-5			00811359	C. 12048	L. T. lighting coil (D-LD/150)	1
30	00831462	90028-31			00811390	C. 12159	L. T. lighting coil (LD/125)	1
31	00831558	90070-4		57	00811396	C. 12167/1	L. T. lighting coil (LD electric starter)	1
	00831557	MVB 4/522-1		58	00811345	20418/5,3	Tab washer, for screws at fig. 59	2
	00831587	MVB 4/52-B		59	00811360	20018/5 x 34	Screw, fixing L. T. lighting coil	2
		Flywheel, complete with figs. 16 - 17 - 18 - 29 - 30	1					



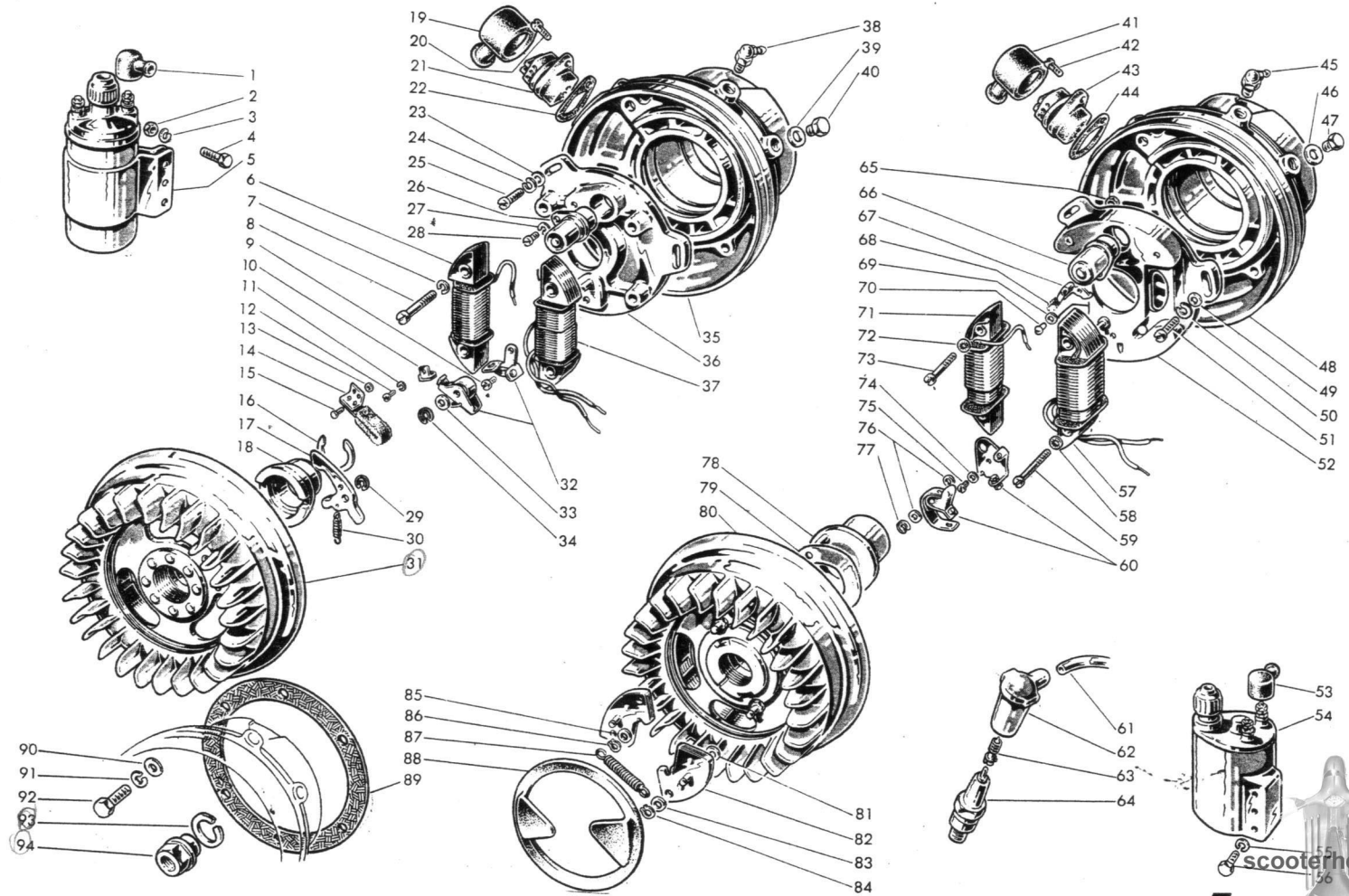
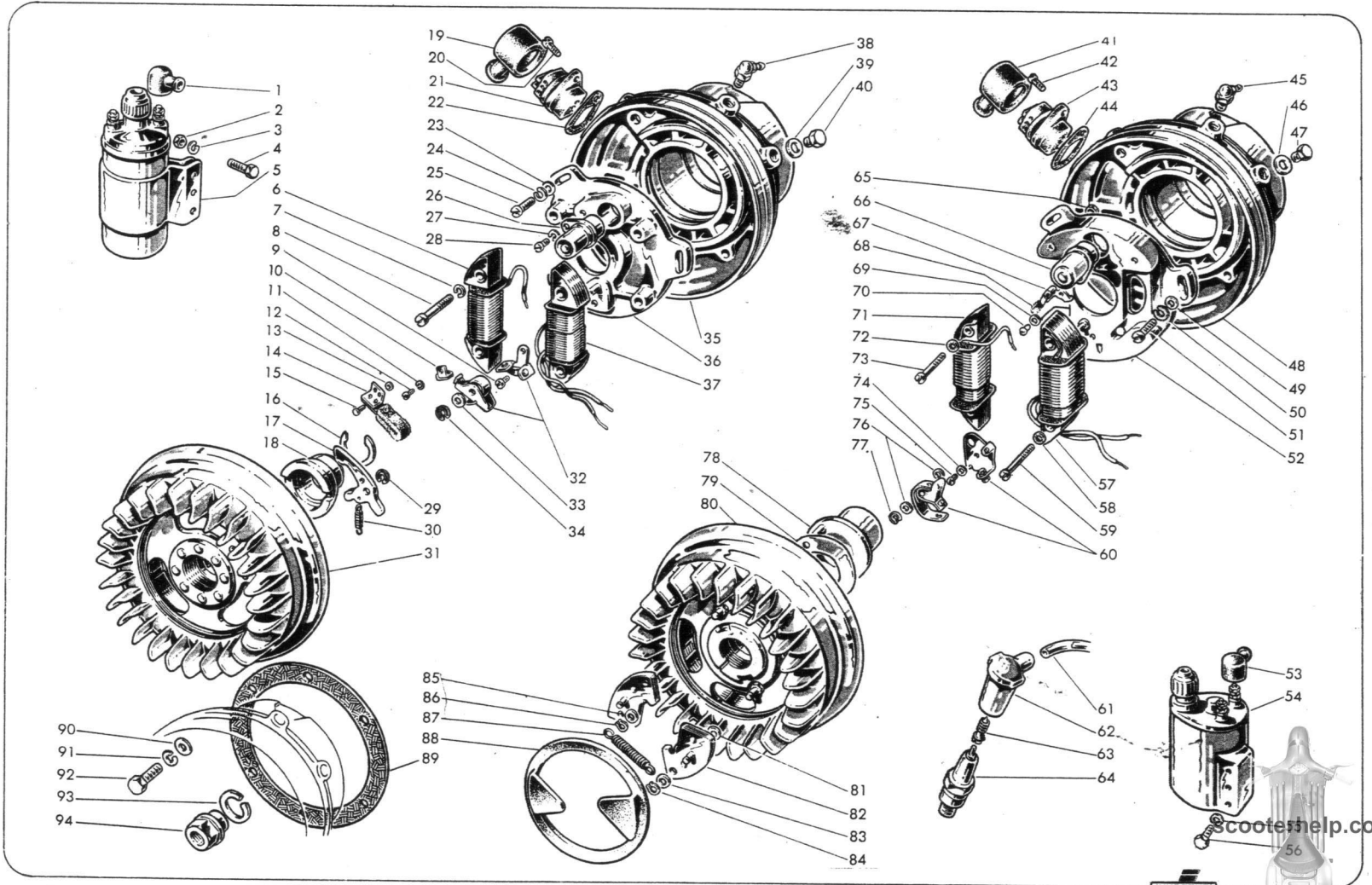


Fig. No.	Part No.	Description	Quantity
60	00811432	Contact points	1
	C. 11509/1		
61	12010507	H. T. lead	1
62	15017070	Cap, for spark plug with screw at fig. 63	1
63	15017012	Screw, for fixing H. T. lead	1
64	14010701	Spark plug	1
65	72000005	Nut, for screws, at fig. 59-73	4
66	00811356	I. 12009	1
67	00811353	E. 11803	1
68	00811284	E. 11252/R 1	1
69	00811339	N. 246/3	1
70	00811380	20037/3 x 5	1
	00811346	C. 11978	1
71	00811400	C. 12211/1	1
	00811395	C. 12168/1	1
72	00811345	20418/5,3	2
73	00811355	20018/5x28	2
74	00811288	20403/4,3	1
75	00811354	20017/4 x 8	1
76	00811313	N. 116/1	2
77	00811312	N. 235	1

Fig. No.	Part No.	Description	Quantity
78	00811362	C. 12033/1	1
79	00811363	E. 12044/1	1
	00811414	C. 12335/1	1
80	00811427	C. 12339/1	1
81	00811366	N. 116/45	2
82	00811368	C. 12057/1	2
83	00811371	N. 116/76	2
84	00811372	247/bis/6	2
85	00811364	N. 116/75	4
86	00811365	247/bis/5	2
87	00811370	C. 12063	1
88	00811374	E. 12061	1
89	11110131	Gasket, between crankcase/magneto flange	1
90	73030064	Plain washer, for screws at fig. 92	6
91	73170064	Spring washer, for screws at fig. 92	6
92	02110108	Screw, fixing flywheel magneto flange	6
93	02110311	Spring washer, for nut at fig. 94	1
94	02110312	Nut, for locking flywheel magneto	1





scooterhelp.com



Fig. No.	Part No.	Description	Quantity	Fig. No.	Part No.	Description	Quantity
1	12181081	Mudguard, rear	1	33	12180225	Return spring, luggage box lid	1
2	72030005	Nut, for screws at fig. 4	2	34	12180264	Bolt, fixing battery cover n. 12181321 (LD electric starter)	1
3	73170053	Spring washer, for screws at fig. 4	2	35	73170064	Spring washer, for screw at fig. 34	1
4	70910510	Screw, fixing rear mudguard	2	36	73170053	Spring washer, for nuts at fig. 37	8
5	73170053	Spring washer, for screws at fig. 6	2	37	72000005	Nut, for fixing bootboards	8
6	70910508	Screw, fixing rear mudguard	2	38	12181321	Cover, for battery box (LD electric starter)	1
7	15055044	Bush, for panel lock	2		12181461	Cover, for battery box (for frame with air intake in the luggage box) (LD electric starter)	1
8	15055047	Clip, for panel cup lock	2	39	12180271	Pin, for battery cover n. 12181461	2
9	15055045	Cup, retaining spring	2	40	72030008	Nut, for pin at fig. 39	2
10	15055042	Pressure spring, for panel lock	2	41	12181331	Panel L. H.	1
11	15055043	Cup, retaining spring	2	42	08180222	Beading, for panel	2
12	74400330	Split pin, for panel lock	2	43	71450425	Screw, for fixing end caps	4
13	15055046	Protection cap, for panel lock	2	44	08180142	End cap	12
14	15055048	Grub, locking handle	2	45	05180172	Spring washer, for screws at figs. 43-55	6
15	05180201	Handle, for R. H. lock	1	46	72030004	Nut, for screws at figs. 43-55	6
16	12090368	Lock R. H., complete with figs. 7 - 8 - 9 - 10 - 11 - 12 - 13 - 14 - 15	1	47	12770231	Protection, for cables (LD/125)	1
17	12180269	Grill, for panel (suitable for the old panels)	2	48	12770232	Protection, for cables (LD/125)	1
18	12180247	Screw, for fixing grills to the old panels	8	49	05180202	Handle, for L. H. lock	1
19	73010043	Plain washer, for screws at fig. 18	8	50	12090367	Lock, L. H. complete with figs. 7 - 8 - 9 - 10 - 11 - 12 - 13 - 14 - 49	1
20	72090004	Nut, for screws at fig. 18	8	51	12181421	Legshield	1
21	12181336	Panel R. H.	1	52	12180195	Rubber plug, for legshield	1
22	08181241	Mat, footboard R. H.	1	53	08181046	Footboard L. H.	1
23	12181426	Footboard R. H.	1	54	08181246	Mat, for L. H. footboard	1
*24	15055056	Key, for luggage box lock	2	55	71420418	Screw, for fixing end caps	2
25	12181371	Lock, with keys	1	56	08180175	Screw, for fixing beading channel	6
26	12181366	Lid, luggage box, with lock at fig. 25 (LD epicyclic starter)	1	57	19050098	Elastic nut, for screws at fig. 56	6
27	12180228	Beading, luggage box lid	1	58	08180144	Beading channel, inner	2
28	12180248	Spring, fixing tool bag	1	59	08180140	Beading, for footboard	6
29	15086015	Plate, for spring	1	60	08180145	Beading channel, outer and intermediate	4
30	12180224	Pin, luggage box hinge	1	61	70910512	Screw, fixing legshield and junction box to frame	2
31	12180223	Tube, for lid hinge	1	62	73170053	Spring washer, for screws at fig. 61	2
32	12180226	Tube, retaining lid spring	1				

\* When ordering spare keys, please always specify the manufacturer and the serial number stamped on the lock base.



PANEL AND FRAME COMPONENTS

Section XIX

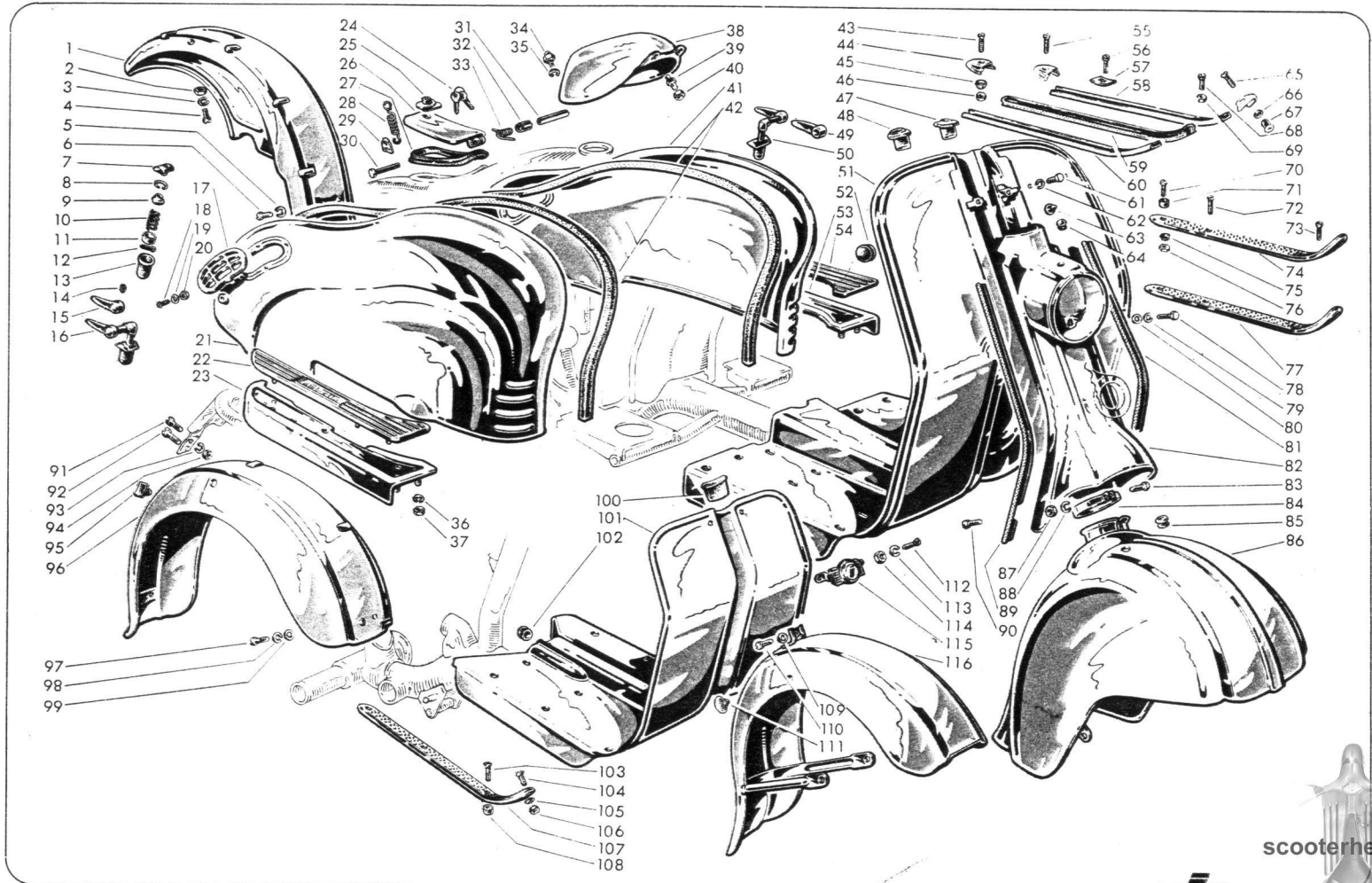


Fig. No.	Part No.	Description	Quantity	Fig. No.	Part No.	Description	Quantity
63	08010913	Rubber plug, for legshield	4	90	71480512	Screw, for fixing horn casting to legshield	2
64	08010142	Light indicator	1	91	70910514	Screw, fixing rear mudguard	1
65	71420409	Screw, fixing end caps	6	92	70360518	Screw, fixing rear mudguard	1
66	83100006	Spring washer, for screws at fig. 65	6	93	73170053	Spring washer, for screws at figs. 91 - 92	2
67	12180137	Special screw, for end caps	6	94	72030005	Nut, for screws at figs. 91 - 92	2
68	19050096	Screw, fixing legshield and beading channel	6	95	11180302	Buffer, anchoring rear mudguard	2
69	72030004	Nut, for screws at fig. 68	6	96	11181021	Rear mudguard	1
70	71450425	Screw, for fixing footboard strips (LD/125)	4	97	70910512	Screw, fixing rear mudguard	2
71	05180147	Antivibration spacer (LD/125)	18	98	73170053	Spring washer, for screws at fig. 97	2
72	71420416	Screw, for fixing footboard strips (LD/125)	14	99	73030053	Plain washer, for screws at fig. 97	2
73	71450428	Screw, for fixing footboard strips (LD/125)	6	100	99095062	Rubber pad, for legshield	1
74	12180190	Strip, footboard (LD/125)	2	101	11180130	Legshield	1
75	05180172	Spring washer, for screws at figs. 70 - 72 (LD/125)	18	102	07180152	Grommet, for gear change cables	1
76	72030004	Nut, for screws at figs. 70 - 72 - 73 (LD/125)	24	103	71450425	Screw, fixing footboard strips	12
77	12180191	Strip, footboard (LD/125)	4	104	71420418	Screw, fixing footboard strips	4
78	70300620	Screw, for fixing horn casting to frame	2	105	05180172	Spring washer, for screws at fig. 104	4
79	73170064	Spring washer, for screws at fig. 78	2	106	72030004	Nut, for screws at fig. 104	4
80	73010064	Plain washer, for screws at fig. 78	2	107	07180150	Strip, footboard	4
81	05180171	Beading, L.H. for horn casting	1	108	05180147	Antivibration spacer	16
82	08181286	Horn casting	1	109	73170064	Spring washer, for screws at fig. 110	3
	12181386	Horn casting, for machine with handlebar cowl)	1	110	70360614	Screw, fixing front mudguard	3
83	70300520	Screw, for clip fixing front mudguard	1	111	15060039	Buffer, anchoring front mudguard	2
84	05770125	Clip, fixing front mudguard	1	112	70910508	Screw, fixing legshield and stirrup	2
85	03180109	Grommet, front brake cable	1	113	73170053	Spring washer, for screws at fig. 112	2
86	08771046	Mudguard, front,	1	114	06180141	Dome nut, for screws at fig. 112	2
87	72030005	Nut, for screw at fig. 83	1	115	07181121	Stirrup, with name plate fixing legshield	1
88	73170053	Spring washer, for nut at fig. 87	1	116	99106050	Front mudguard	1
89	05180170	Beading, R.H. for horn casting	1				

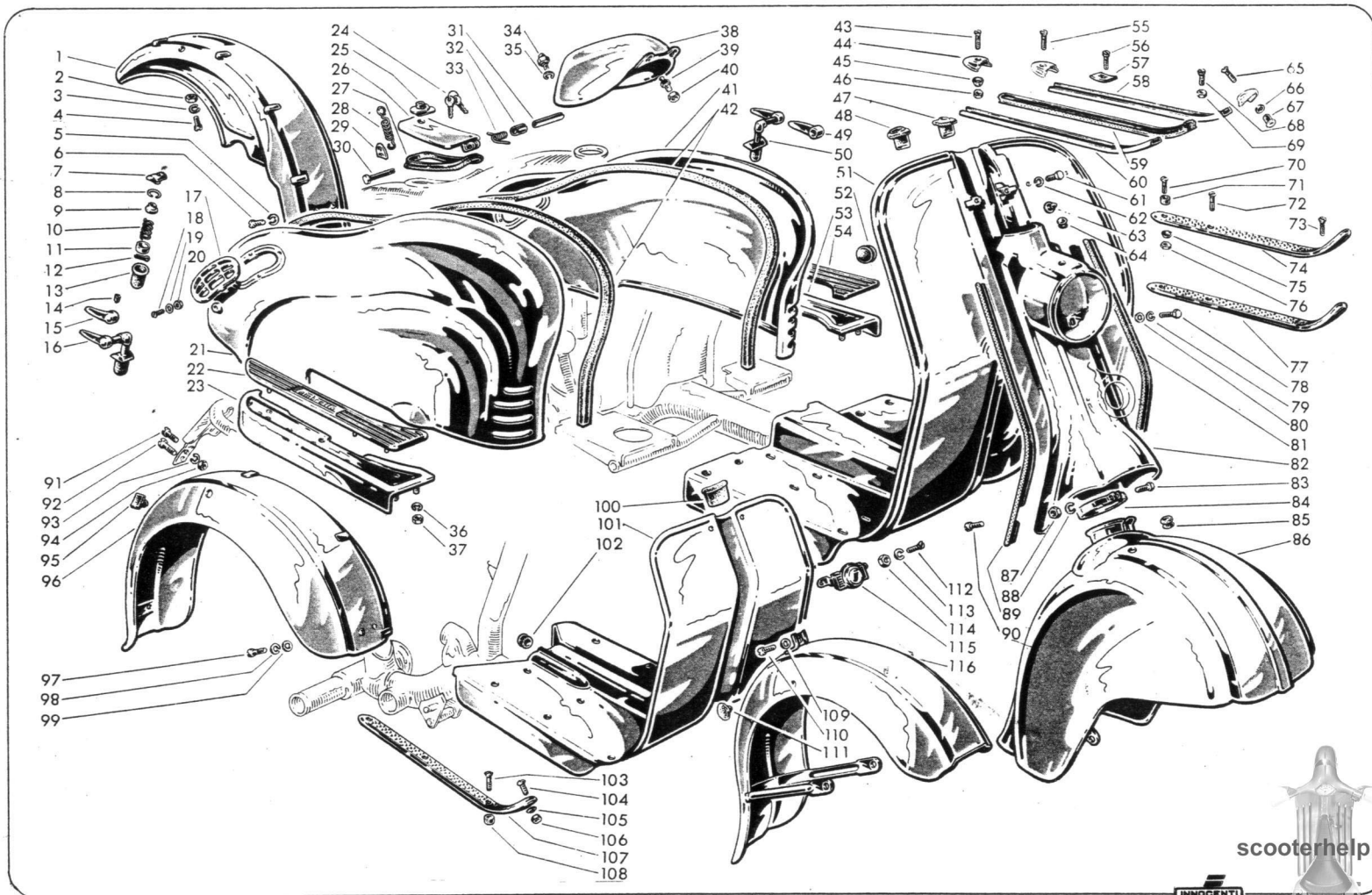
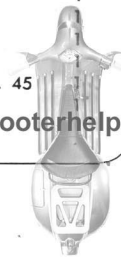




Fig. No.	Part No.	Description	Quantity	Fig. No.	Part No.	Description	Quantity
1	15059012	Rod, for rear brake control	2	22	15022008	Trunnion, locking clutch cable	1
2	83010601	Washer, for pin	1	23	11181256	Cable, rear brake (D)	1
3	74401522	Split pin, for pin	1	23	12181436	Cable, rear brake (LD)	1
4	73170105	Spring washer, for nut at fig. 5	1	24	08180723	Inner cable, for rear brake control (LD)	1
5	72070010	Nut, for locking rear brake cable	1	24	11180723	Inner cable, for rear brake control (D)	1
6	07180730	Gasket, adjuster support	1	25	72060006	Nut, fixing clips	2
7	15059014	Pin, rear brake rod	1	26	73170064	Spring washer, for nuts at fig. 25	2
8	07180731	Pin, rear brake cable	1	27	11180728	Clip, for rear brake cable	1
9	07180727	Support, rear brake cable adjuster	1	28	12030324	Clip, for rear brake cable (for machine with epicyclic starter)	1
10	15059016	Nut, rear brake cable adjuster	1	29	11030305	Clip, for gear change cable	1
11	15059015	Adjuster, rear brake cable	1	30	15059009	Ferrule, for locking rear brake cable	1
12	15022009	Grub, for locking gear change cables	2	31	15059012	Rod, rear brake pedal	2
13	15022011	Disc, for locking gear change cables	2	32	72070010	Nut, for rear brake cable pin	1
14	15022008	Trunnion, for locking gear change cables	2	33	73170105	Spring washer, for nut at fig. 32	1
15	15032022	Nut, for gear change cables adjuster	2	34	83010601	Washer, for pin	1
16	11030308	Adjuster, gear change cables	2	35	74401522	Split pin, for pin	1
	11031021	Cable, upper, gear change with unsheathable inner cable (mm. 1493)	1	36	73260012	Circlip, retaining rear brake pedal	1
	11031026	Cable, lower, gear change with unsheathable inner cable (mm. 1544)	(D) 1	37	87020006	Grease nipple, for rear brake pin	1
	11031041	Cable, upper and lower gear change with sheathable inner cable (mm. 1564)	2	37	87020008	Grease nipple, for rear brake pin	1
	12031021	Cable, upper, gear change with unsheathable inner cable (mm. 1700)	1	38	11111056	Cable, throttle control (D)	1
17	12031026	Cable, lower, gear change with unsheathable inner cable (mm. 1760)	1	38	12111056	Cable, throttle control (LD)	1
	12031036	Cable, upper, gear change with sheathable inner cable, for epicyclic starter (mm. 1700)	(LD) 1	39	12061062	Inner cable, for clutch control (mm. 1537)	1
	12031061	Cable, lower, gear change, with sheathable inner cable, for epicyclic starter (mm. 1815)	1	40	85700025	Ferrule, for locking clutch cable	2
	12031146	Cable, lower, gear change, with sheathable inner cable, for electrical starter (mm. 1860)	1	40	11061056	Cable, for clutch with unsheathable inner cable (mm. 1400) (D)	1
18	11031042	Inner cable, for gear change control (mm. 1689) (D)	2	41	11061061	Cable, for clutch, with sheathable inner cable (mm. 1400) (D)	1
	12031037	Inner cable, for gear change control (mm. 1821) (LD)	2	41	12061061	Cable, for clutch, with sheathable inner cable (mm. 1435) (LD)	1
	12031062	Inner cable, for gear change control (mm. 1940) (LD)	2	42	99095906	Protection rubber, rear brake pedal *	1
19	85700025	Ferrule, for locking gear change cables	2	43	07180731	Pin, for locking rear brake cable	1
20	15022009	Grub, locking clutch cable	1	44	15059014	Pin, for rear brake control rod	1
21	15022011	Disc, locking clutch cable	1	45	15059005	Bush, for rear brake pedal	MAY '80
				46	99095904	Return spring, rear brake pedal	
				47	15059006	Guide washer, pedal return spring	
				48	07181081	Pedal, rear brake complete with bush at fig. 45	
				49	83011201	Spacing washer, for rear brake pedal	



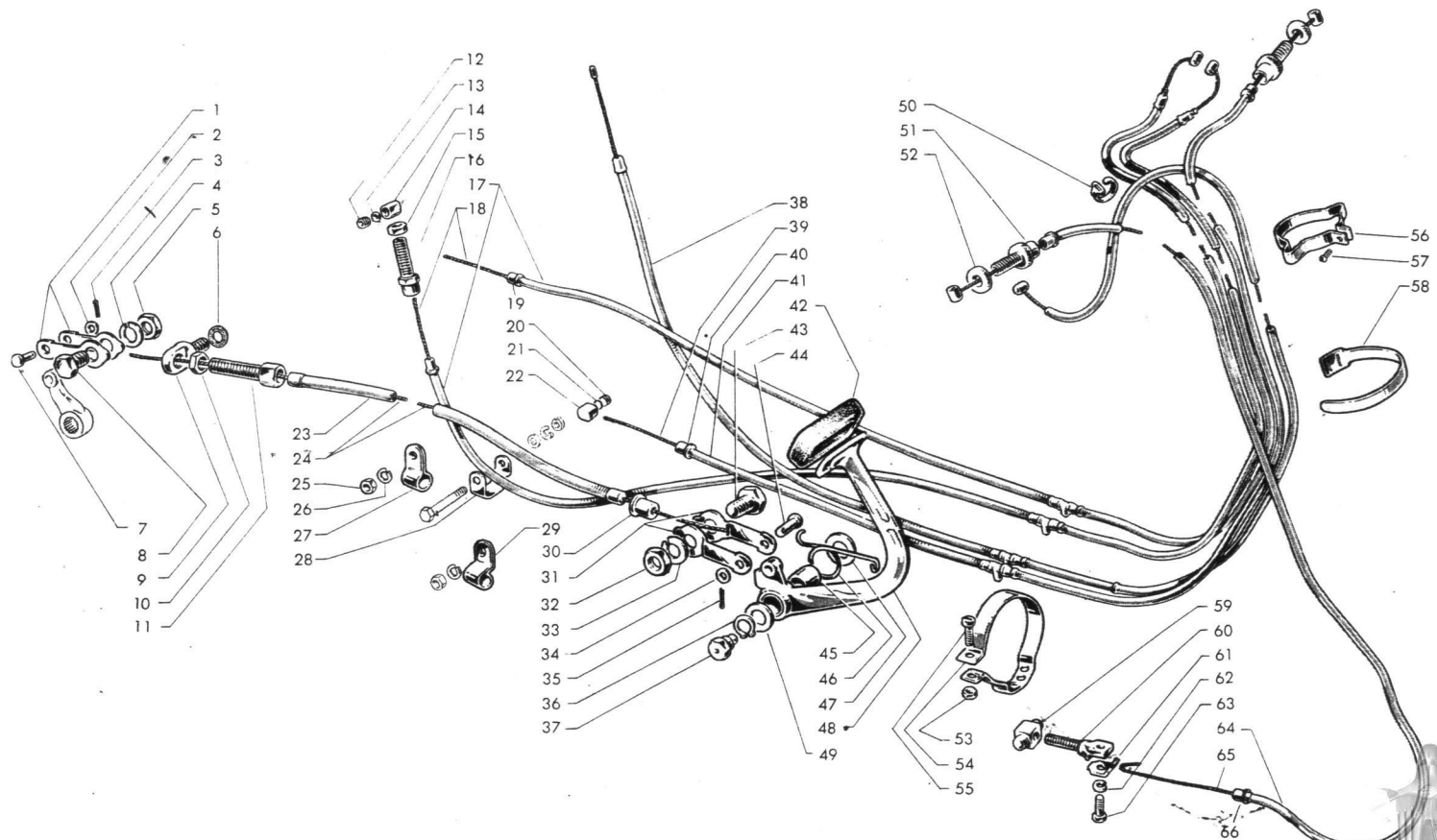
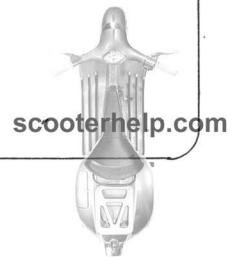


Fig. No.	Part No.	Description	Quantity	Fig. No.	Part No.	Description	Quantity
50	86510110	Clip, union cables	1	60	11770802	Screw, fixing and adjusting front brake cable (for cable with sheathable inner cable)	1
51	99096124	Adjuster, clutch and front brake cable	2	61	15065008	Plate, fixing front brake cable	1
52	99096125	Ring, for adjuster	2	62	73170053	Spring washer, for screw at fig. 63	1
53	72060005	Nut, for screw at fig. 55	1	63	70360512	Screw, locking cable	1
54	11180162	Clip, retaining cables with grease nipple (D)	1	64	11771061	Cable, for front brake, with unsheathable inner cable (mm. 1220) (D)	1
	12180162	Clip, retaining cables with grease nipple (LD)	1		11771066	Cable, front brake, with sheathable inner cable (mm. 1220) (D)	1
55	70910516	Screw, fixing clip	1	64	12771066	Cable, front brake, with inner cable unsheathable (mm. 1335) (LD)	1
56	11180142	Clip, retaining cables (D)	1		65	11771067	Inner cable, front brake control (1412 mm.) (D)
57	70910508	Screw, fixing clip	1	65	12771067	Inner cable, front brake control (1527 mm.) (LD)	1
58	86500260	Clip, retaining cables	1		66	85700025	Ferrule, for locking front brake control cable
59	99096507	Trunnion, front brake adjuster (for cable with unsheathable inner cable)	1				
	11770801	Trunnion, front brake adjuster (for cable with unsheathable inner cable)	1				



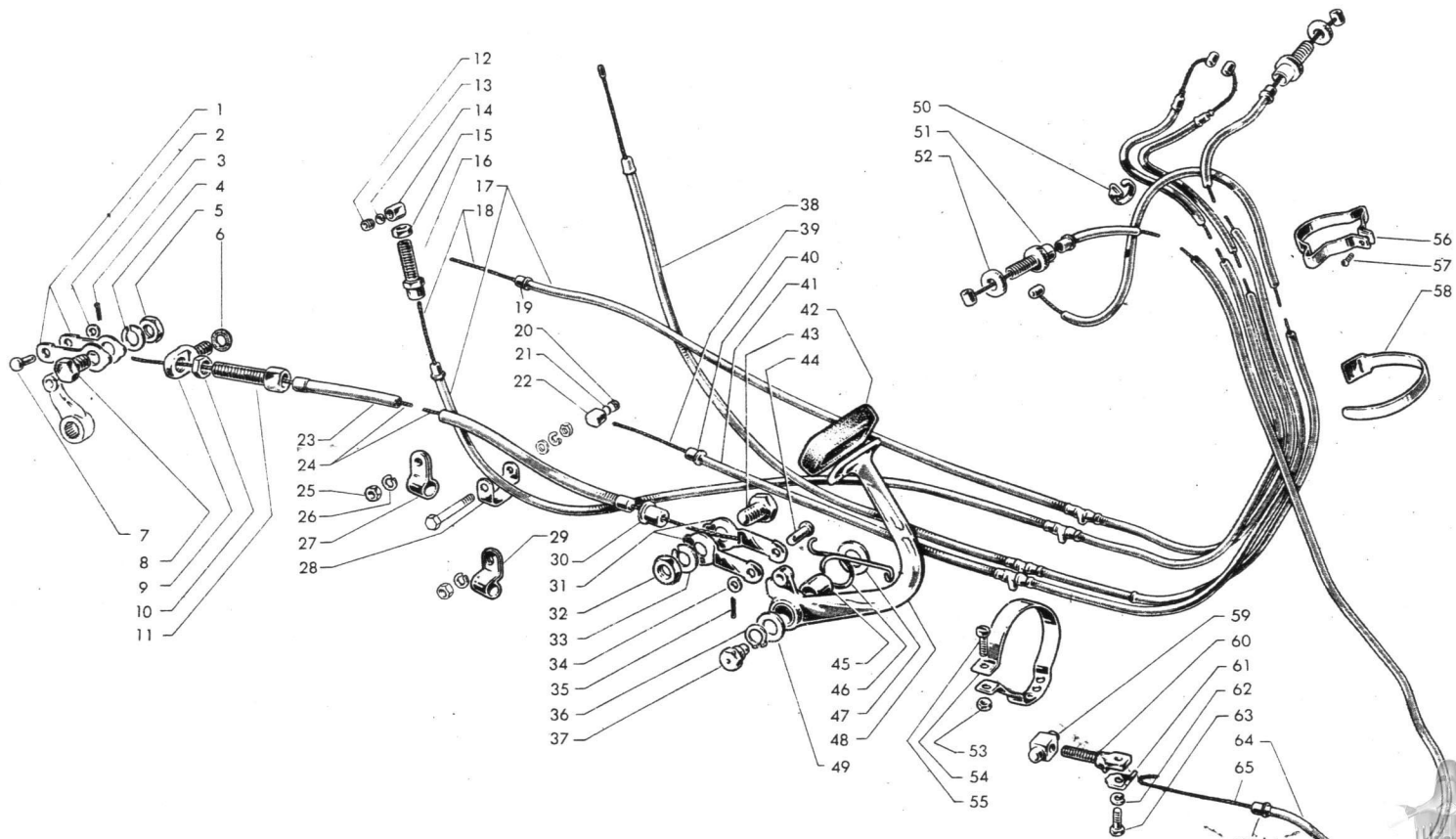


Fig. No.	Part No.	Description	Quantity	Fig. No.	Part No.	Description	Quantity
1	99095560	Saddle, pillion complete with figs. 14 - 15 - 16 - 17 (D)	1	31	{ 12161501 99095550	Saddle rider (LD/150) Saddle rider (LD/125 - D/150)	1 1
2	99098622	Cover, for luggage box lock (D)	1	32	12180154	Cup, saddle protection	2
3	99098623	Spring, for cover pin (D)	1	33	72040008	Nut, for screws at fig. 35 (D)	4
4	99098634	Key, for lock (D)	2	34	73170084	Spring washer, for nuts at fig. 33 (D)	4
5	99098670	Lock, complete with figs. 2 - 3 - 4 (D)	1	35	70370820	Screw, fixing rider saddle (D)	4
6	99098660	Fastener, for lock (D)	1	36	70370820	Screw, fixing pillion saddle (LD)	4
7	99098640	Cover, luggage box (D)	1	37	73030084	Plain washer, for screws at fig. 36 (LD)	4
8	99098630	Luggage box (D)	1	38	73170084	Spring washer, for screws at fig. 36 (LD)	4
9	99098626	Clamp, for stirrup (D)	4	39	72040008	Nut, for screws at fig. 36 (LD)	4
10	99098625	Stirrup, for fixing luggage box (D)	2	40	08181251	Tool box (for LD without epicyclic starter)	1
11	15086062	Screwdriver	1	41	08181252	Cover, for tool box	1
12	02010906	Tool bag	1	42	00610021 Tr-021-005 x 1634	Inner cable, for speedometer at fig. 60 (for machine without epicyclic starter)	1
13	07011296	Spanner, double head 10 - 14 mm. for oil plugs	1	43	00610335 RV-335	Drive box	1
14	99095570	Handgrip, for pillion saddle	1	44	00610408 SN-4-08	Spring pin, for drive pinion	1
15	72030008	Nut, for screw fixing handgrip	2	45	00613351 RV-335-001	Drive pinion	1
16	73170084	Spring washer, for screw at fig. 15	2	46	00615602 Gn-9-27	Oil seal, for drive pinion	1
17	71360818	Screw, for fixing handgrip	2	47	71420512	Screw, for fixing drive box	2
18	70360518	Screw, for fixing luggage box (D)	4	48	00612107 Tr-021-007	Stop washer, for speedometer cable	1
19	73170053	Spring washer, for screws at fig. 18 (D)	4	49	00613304 Tr-033-004	Ring, for locking cable to drive box	1
20	72030005	Nut, for screws at fig. 18	4	50	71450528	Screw, for fixing drive box	1
21	11011501	Spanner, for wheel nut and sparking plug	1	51	{ 12010727 15087002	Bulb, for speedometer 6 V - 1,5 W Bulb, for speedometer 12 V - 2,5 W	1 1
22	15086061	Spanner, double ended 8 - 10 mm.	1	52	75700245	Rivet, for fixing name plate (D)	2
23	20280035	Allen key, for clutch and gear cables locking trunnions	1	53	11181046	Name plate (D)	1
24	15086059	Spanner, double ended 14-27 mm.	1	54	07180156	Spring, retaining tool box cover (D)	1
25	15086063	File for cleaning contact points	1	55	07180155	Cover, tool box (D)	1
26	72040008	Nut, for screws at fig. 28 (D)	2	56	11181057	Tool box, complete (D)	1
27	73170084	Spring washer, for nuts at fig. 26 (D)	2	57	{ 12181276 12181221	Saddle, pillion complete with figs. 14 - 15 - 16 - 17 (LD/150) Saddle, pillion complete with figs. 14 - 15 - 16 - 17 (LD/125)	1 1
28	70340870	Screw, for fixing pillion saddle (D)	2	58	00610102 Cr 1-02	Rim, speedometer (D-LD/150)	1
29	99098628	Hook, for fastener (D)	2	59	00615019 30-5019	Glass, speedometer (D-LD/150)	1
30	99098690	Fastener, for locking luggage box (D) 2	2				



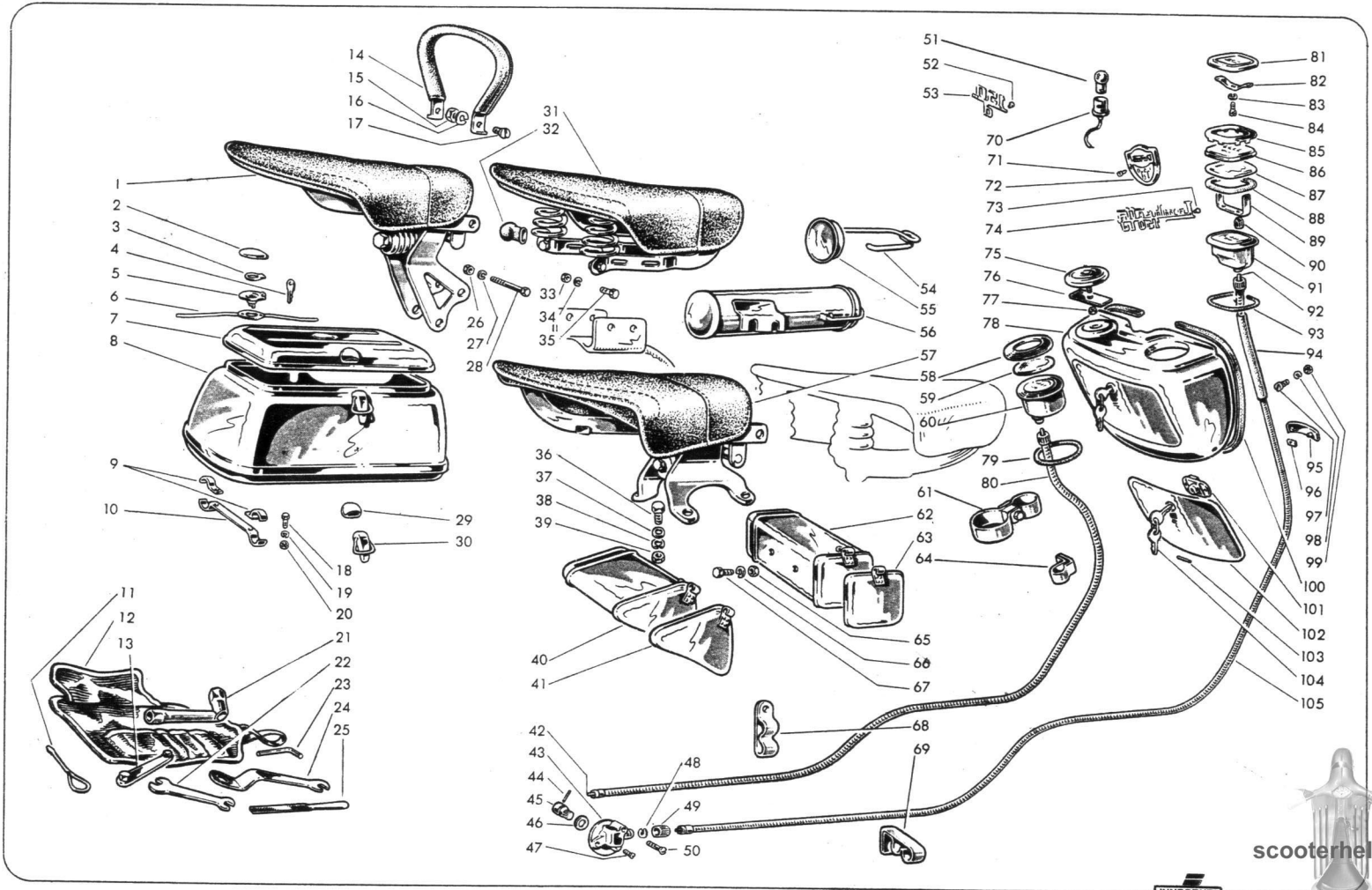


Fig. No.	Part No.	Description	Quantity	Fig. No.	Part No.	Description	Quantity		
60	00613002	TA-3002/A	Speedometer (km) (D)	1	81	12010940	Cap, for handlebar cowl	1	
	00613103	TA-3103/C	Speedometer (km) (LD)	1	82	12010937	Plate, for fixing cap	1	
	00614002	TA-4002/A	Speedometer (mi) (D)	1	83	83110003	Spring washer, for screw at fig. 84	1	
	00614101	TA-4101/A	Speedometer (mi) (LD)	1	84	70850307	Screw, for fixing stirrup	1	
61	11011146		Support, for speedometer (D)	1	85	00611002	TA 246-005	Rim, for speedometer	1
62	12181326		Tool box, (for 150/LD with electric starter, without epicyclical starter)	1	86	00611004	TA 246-009	Gasket, upper, for speedometer glass	1
63	12181337		Cover, for tool box at fig. 62	1	87	00611003	TA 246-003	Glass, for speedometer	1
64	00610054	SO-054	Band, fixing speedometer cable (D)	1	88	00611010	TA 3050-007	Gasket, lower, for speedometer glass	1
65	72000003		Nut, for screws at fig. 67	4	89	00611008	SF 1/33	Stirrup, for fixing speedometer	LD
66	73170032		Spring washer, for nut at fig. 65	4	90	00611009	25-6021	Nut, for fixing speedometer	epicycl. starter
67	70360307		Screw, for fixing tool box	4	91	00611000	TA 3051/A	Speedometer (km)	1
68	12010711		Band, fixing speedometer and rear brake cables	1		00611001	TA 4051/A	Speedometer (mi)	1
69	12010712		Band, fixing speedometer and rear brake cables	1	92	00611007	Tr-021-005 x 1724	Inner cable, for speedometer control cable at fig. 105	1
70	00611015	PI 055-B	Lampholder, for speedometer	1	93	00611005	Gn-2-14	Gasket, for speedometer	1
71	71203505		Screw, for fixing name plate	2	94	12010726		Plastic tube, cable protection	1
72	12181121		Name plate, for legshield (LD/150 without epicyclical starter)	1	95	12180111		Name plate, for horn casting	1
73	75710206		Rivet, for fixing name plate	2	96	08180230		Spring nut, for fixing name plate	2
74	12180164		Name plate, for legshield (LD/150 with epicyclical starter)	1	97	70850409		Screw, for fixing glove box	4
	12180186		Name plate, for legshield (LD/125 with epicyclical starter)	1	98	73170043		Spring washer, for nut at fig. 99	4
75	08011366		Plug, for speedometer housing	1	99	72030004		Nut, for screws at fig. 97	4
76	08010925		Plate, for plug	1	100	08010924		Beading, for glove box	2
77	72000003		Nut, for fixing plug	1	101	08011106		Lock, for glove box lid, complete with fig. 104	1
78	08011371		Glove box, complete, with figs. 101 - 102 - 103 (LD/150 without epicyclical starter)	1	102	08011381		Lid, glove box	1
79	00610106	Gn-1-06	Gasket, between speedometer/glove box	1	103	08010923		Pin, for glove box lid hinge	1
80	00610055	Tr-055 x 1610	Cable, complete, for speedometer at fig. 60	1	104	08010928		Key, for glove box lock	1
					105	00611006	Tr-055 x 1700	Cable, for speedometer at fig. 91	1



